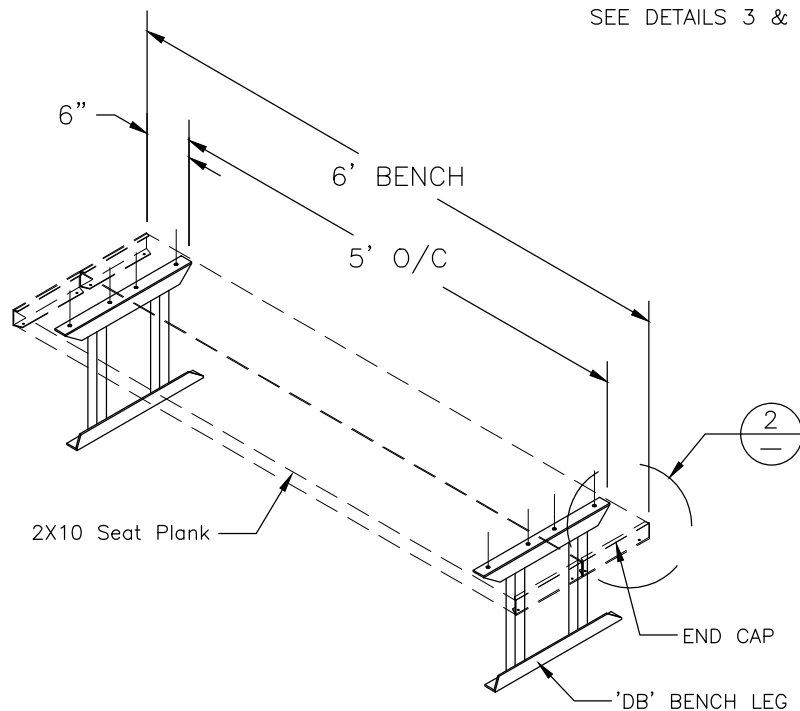
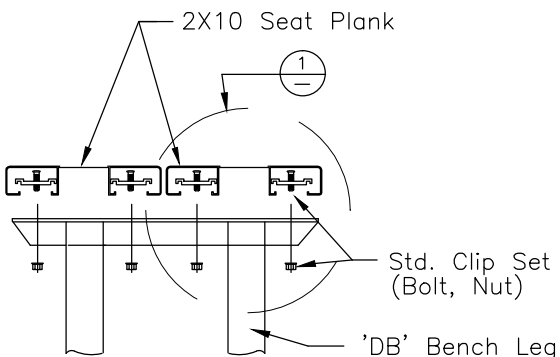


SEE DETAILS 3 & 4 FOR ANCHORING OPTIONS



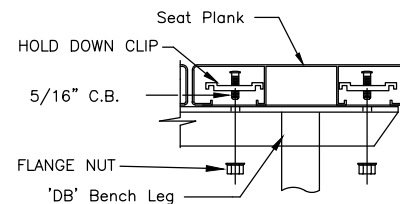
ISOMETRIC VIEW OF BENCH ASSEMBLY

Note: Seat Plank Shown Dotted for Clarity

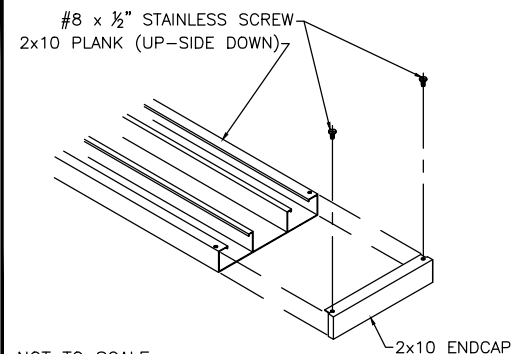


SIDE VIEW OF BENCH ASSEMBLY

① TYP 2x10 PLANK ATTACHMENT

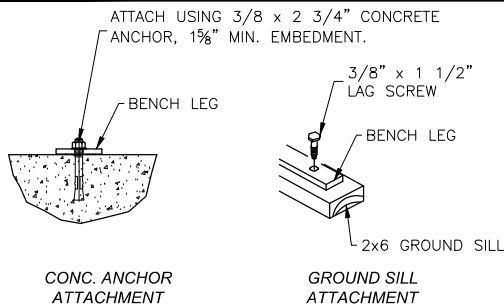


② TYP 2x10 ENDCAP ATTACHMENT

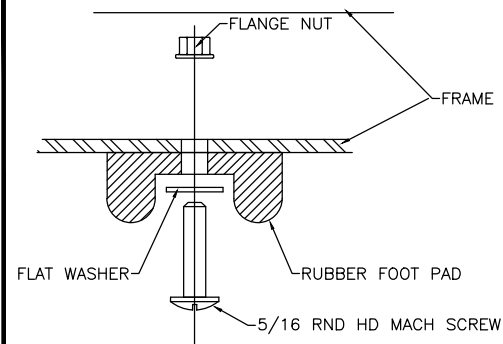


NOT TO SCALE

③ TYP ANCHORING DETAIL



④ RUBBER FOOT PAD ATTACH. DETAIL



This drawing and all information contained herein is the property of NATIONAL RECREATION SYSTEMS, INC. and is not to be reproduced without express written permission of this manufacturer. We assume no responsibility for unauthorized use of this drawing. National Recreation Systems, Inc. is not responsible for local permits and occupancy requirements.

**National Recreation Systems, Inc.**

P.O. BOX 11487 FORT WAYNE, IN 46858-1487

SCALE: NTS	APPROVED BY:	DRAWN BY: JLB
DATE: 10/29/12		
TITLE: 'DB' PORTABLE BENCH W/O BACK, 6'-0" LONG		
CUSTOMER:		DRAWING NUMBER: BDB00600