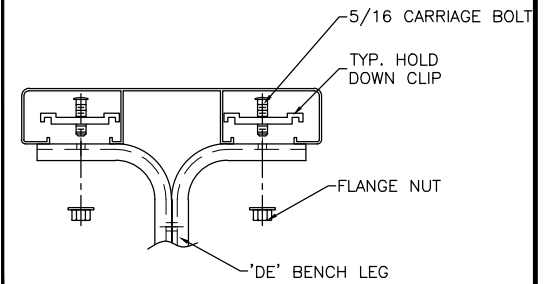


ISOMETRIC OF BENCH ASSEMBLY

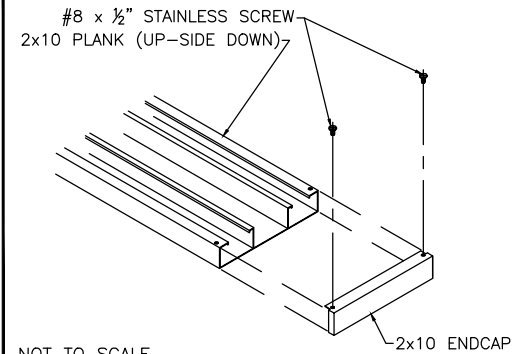
Note: Seat Plank Shown Dotted for Clarity

⊕ TYP 2x10 PLANK ATTACHMENT



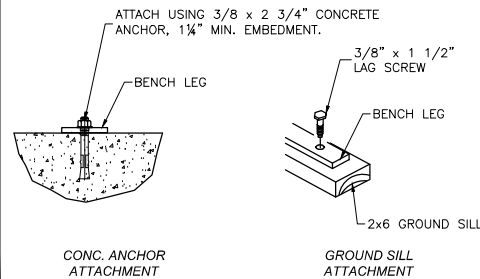
NOT TO SCALE

⊕ TYP 2x10 ENDCAP ATTACHMENT



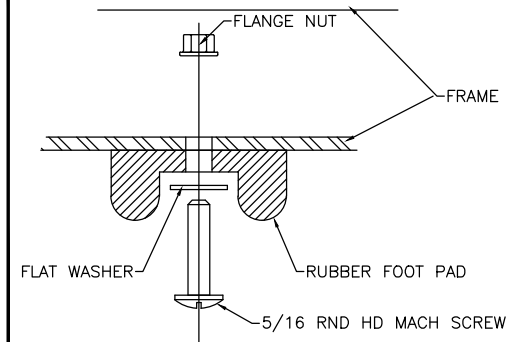
NOT TO SCALE

⊕ TYP ANCHORING DETAIL



NOT TO SCALE

⊕ RUBBER FOOT PAD ATTACH. DETAIL



This drawing and all information contained herein is the property of NATIONAL RECREATION SYSTEMS, INC. and is not to be reproduced without express written permission of this manufacturer. We assume no responsibility for unauthorized use of this drawing. National Recreation Systems, Inc. is not responsible for local permits and occupancy requirements.

**National Recreation Systems, Inc.**

P.O. BOX 11487 FORT WAYNE, IN 46858-1487

SCALE: N.T.S.	APPROVED BY:	DRAWN BY: IMP
DATE: 11/9/12		
TITLE: 6'-0" DE BENCH ASSEMBLY PLAN		
CUSTOMER:		DRAWING NUMBER: BDE00600