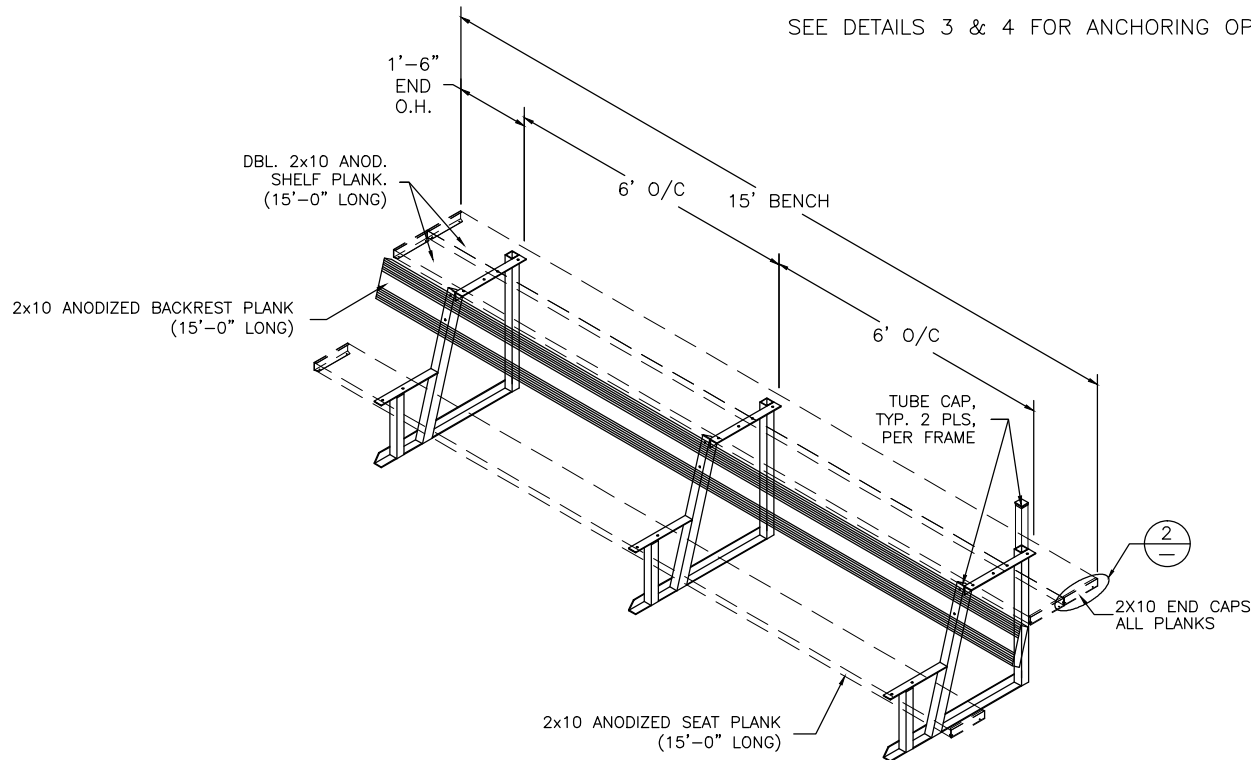
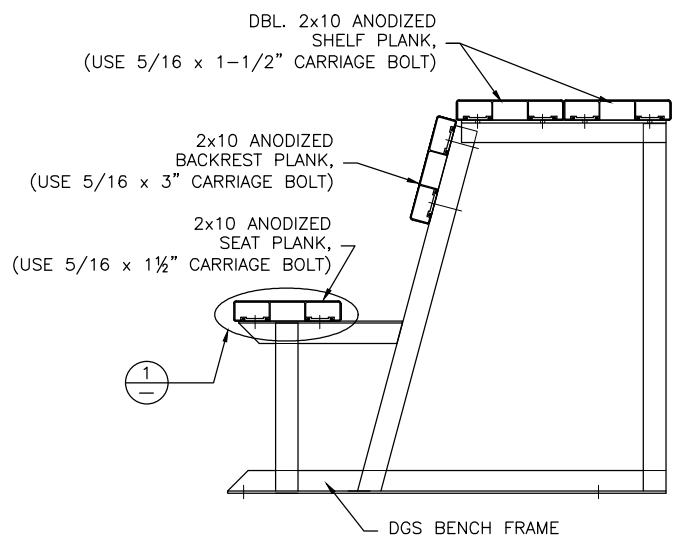
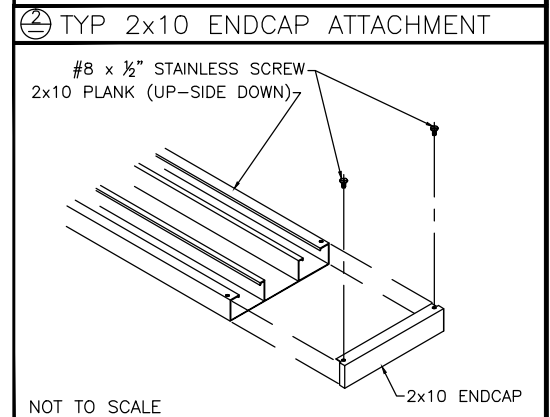
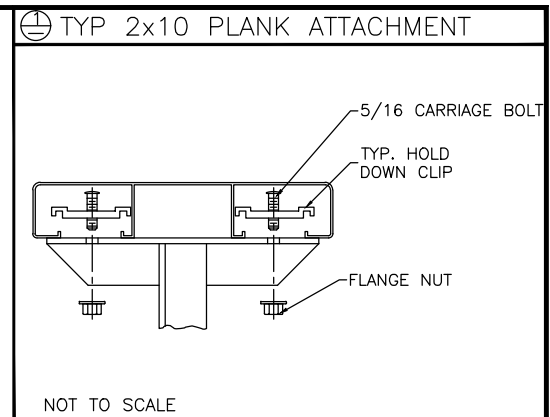


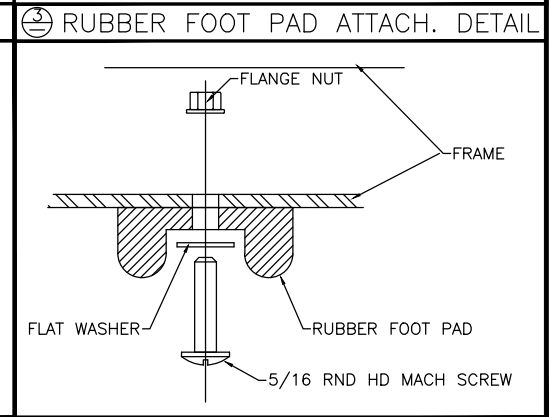
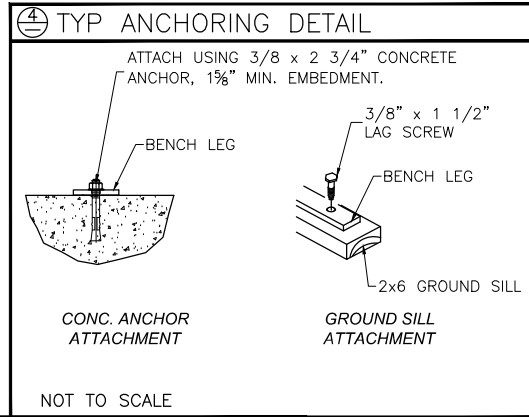
SEE DETAILS 3 & 4 FOR ANCHORING OPTIONS



ISOMETRIC VIEW OF BENCH ASSEMBLY
Note: Seat Plank Shown Dotted for Clarity



SIDE VIEW OF BENCH ASSEMBLY



This drawing and all information contained herein is the property of NATIONAL RECREATION SYSTEMS, INC. and is not to be reproduced without express written permission of this manufacturer. We assume no responsibility for unauthorized use of this drawing. National Recreation Systems, Inc. is not responsible for local permits and occupancy requirements.

National Recreation Systems, Inc.

P.O. BOX 11487 FORT WAYNE, IN 46858-1487

SCALE: NTS	APPROVED BY:	DRAWN BY: JLB	
DATE: 11/12/12			
TITLE: 'DGS' BENCH ASSEMBLY 15'-0" LONG			
CUSTOMER:			DRAWING NUMBER: BDGS01500