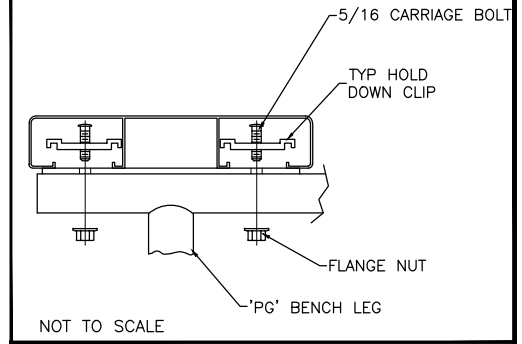
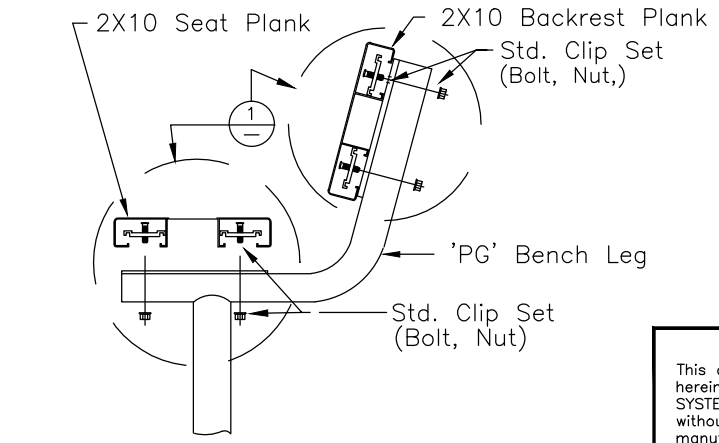
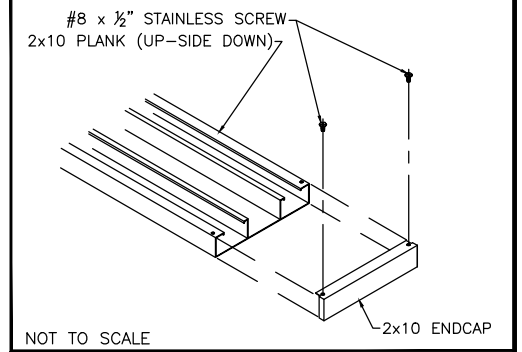


1 TYP 2x10 PLANK ATTACHMENT



2 TYP 2x10 ENDCAP ATTACHMENT



SIDE VIEW OF BENCH ASSEMBLY

This drawing and all information contained herein is the property of NATIONAL RECREATION SYSTEMS, INC. and is not to be reproduced without express written permission of this manufacturer. We assume no responsibility for unauthorized use of this drawing. National Recreation Systems, Inc. is not responsible for local permits and occupancy requirements.

National Recreation Systems, Inc.		
P.O. BOX 11487 FORT WAYNE, IN 46858-1487		
SCALE: NTS	APPROVED BY:	DRAWN BY: JLB
DATE: 11/13/12		
TITLE: 'PG' PORTABLE BENCH W/BACK, 24'-0" LONG		
CUSTOMER:		DRAWING NUMBER: BPG02400