

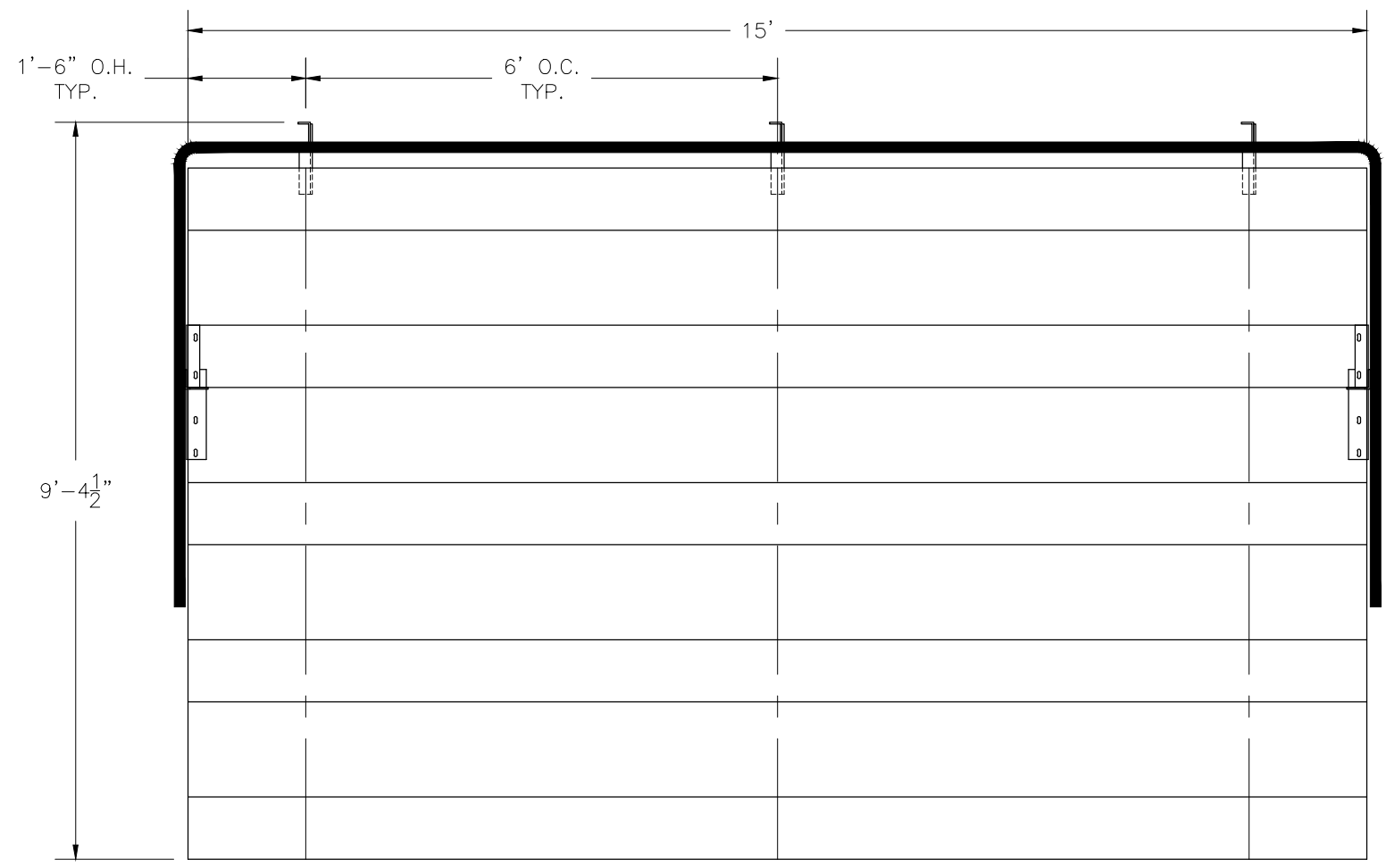
NA-0515TPPRF_CL

NON ELEVATED 5 ROW x 15'-0" TRANSPORTABLE BLEACHER

National Recreation Systems, Inc.

1300-D NORTH AIRPORT OFFICE PARK FORT WAYNE, IN 46825

CS.1	- COVER SHEET
TD.1	- BLEACHER SEATING PLAN
GS.1	- GROUND SILL PLAN
BA.1	- BLEACHER ASSEMBLY
PF.1	- PLANK & FRAMING PLAN
GR.1	- GUARDRAIL ASSEMBLY
TA.1	- TRANSPORT KIT ASSEMBLY
TA.2	- TRANSPORT KIT ASSEMBLY
DS.1	- DETAIL SHEET



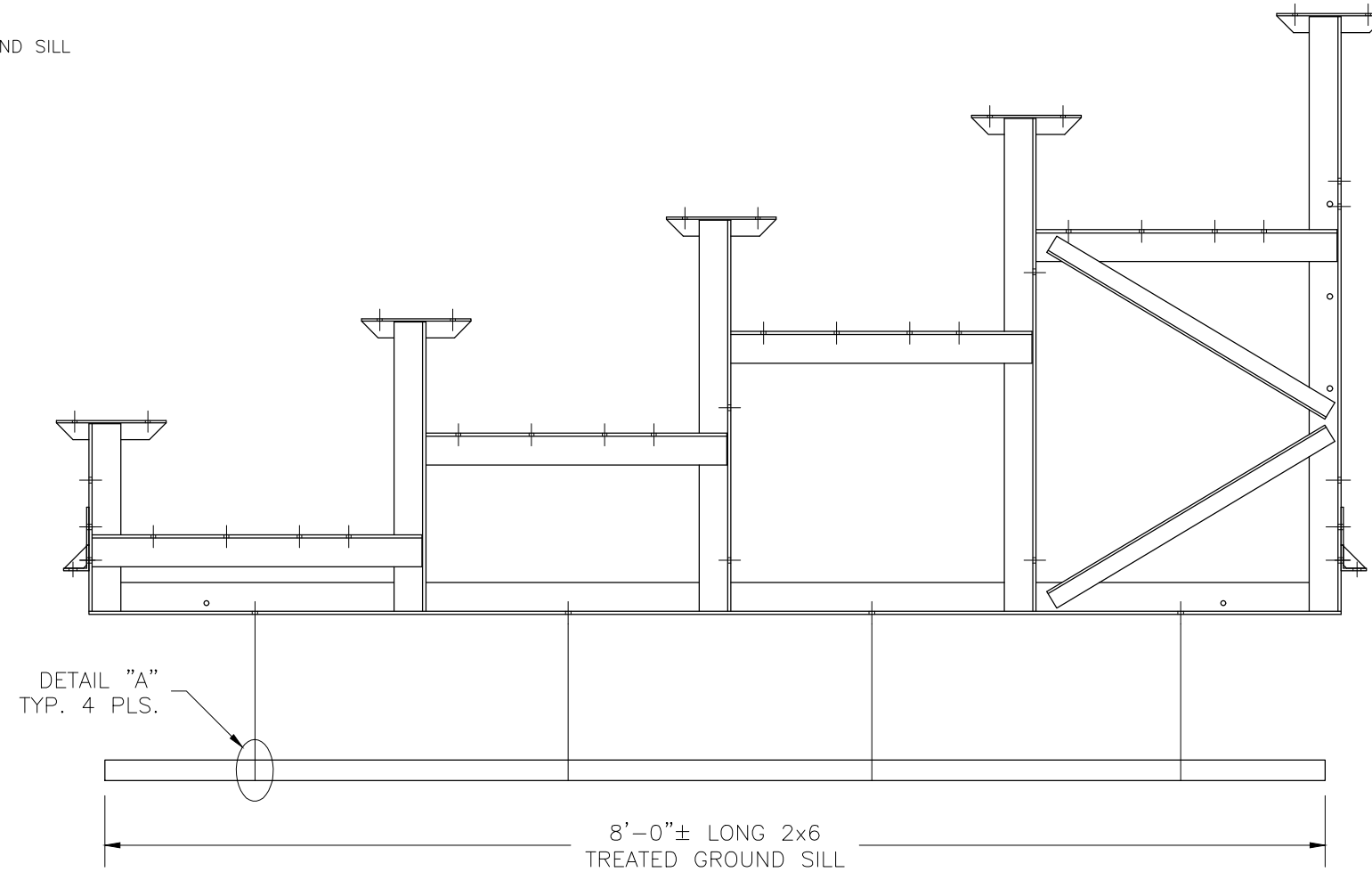
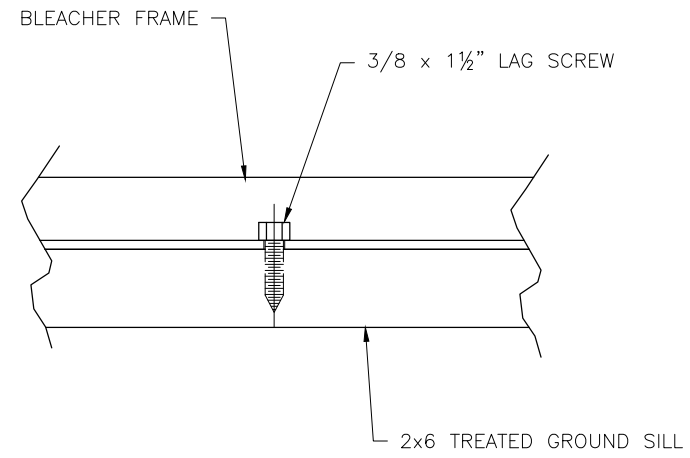
SECTION LENGTH	GROSS SEATS	ACTUAL SEATS	NO. OF ROWS	NET SEATS
15	10.00	10.00	5	50
NET SEATS				50
WHEELCHAIR SPACES				0
TOTAL NET SEATING CAPACITY				50
(BASED ON 18" PER SEAT)				

This drawing and all information contained herein is the property of NATIONAL RECREATION SYSTEMS, INC. and is not to be reproduced without express written permission of this manufacturer. We assume no responsibility for unauthorized use of this drawing. National Recreation Systems, Inc. is not responsible for local permits and occupancy requirements.

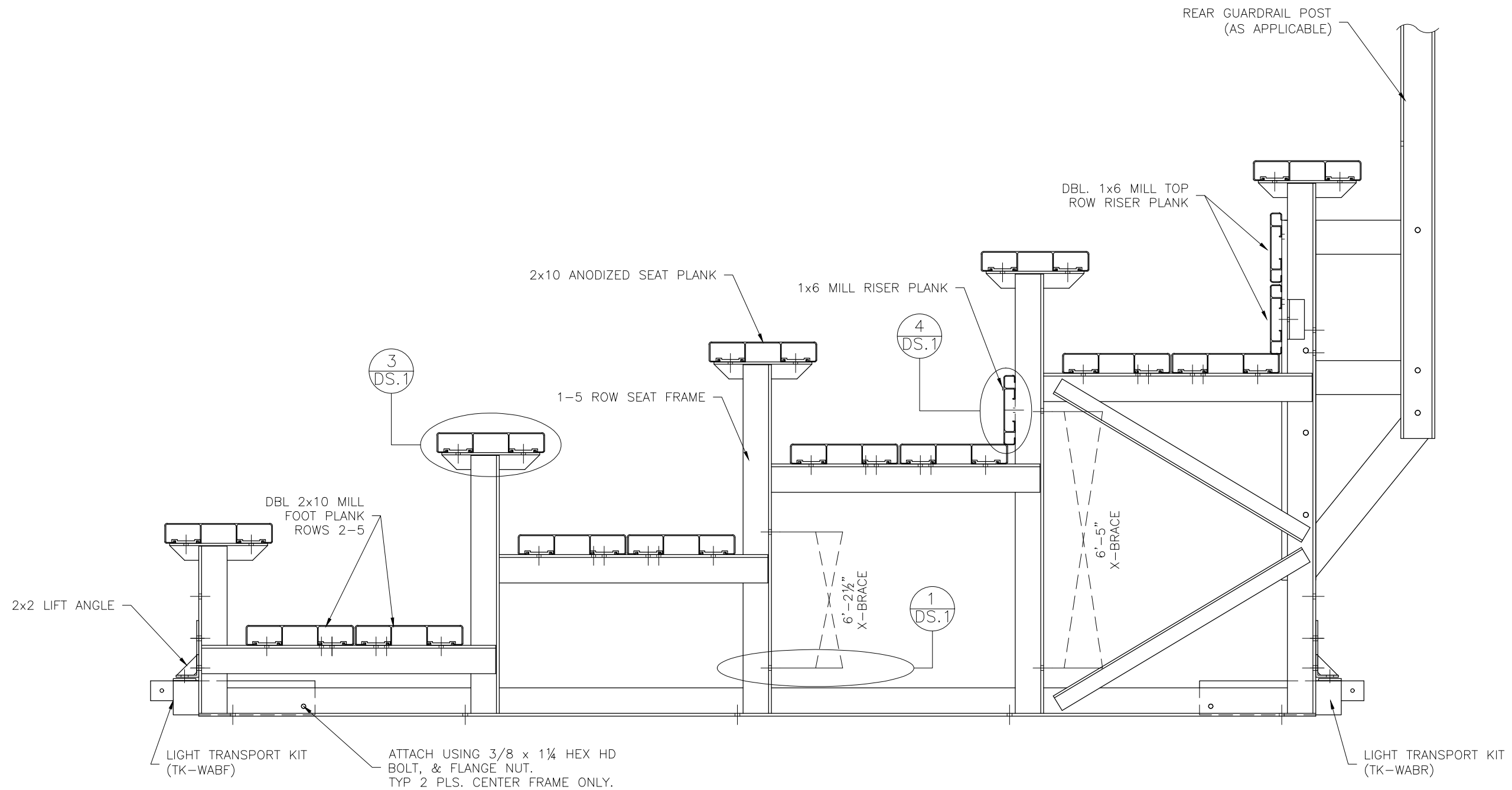
National Recreation Systems, Inc.
1300-D NORTH AIRPORT OFFICE PARK FORT WAYNE, IN 46825

SCALE: N.T.S.	APPROVED BY: CHUCK	DRAWN BY: JML
DATE: 07/11/2016		
TITLE: NON ELEVATED 5 ROW x 15'-0" BLEACHER SEATING PLAN		
BLEACHER MODEL #: NA-0515TPPRF_CL	DRAWING NUMBER: TD.1	

DETAIL 'A' - GROUND SILL ATTACHMENT



<p>This drawing and all information contained herein is the property of NATIONAL RECREATION SYSTEMS, INC. and is not to be reproduced without express written permission of this manufacturer. We assume no responsibility for unauthorized use of this drawing. National Recreation Systems, Inc. is not responsible for local permits and occupancy requirements.</p>			<p>National Recreation Systems, Inc. 1300-D NORTH AIRPORT OFFICE PARK FORT WAYNE, IN 46825</p>	
			SCALE: N.T.S.	APPROVED BY: CHUCK
DATE: 07/11/2016			TITLE: NON ELEVATED 5 ROW x 15'-0" GROUND SILL PLAN	
BLEACHER MODEL #: NA-0515TPPRF_CL			DRAWING NUMBER: FP.1	

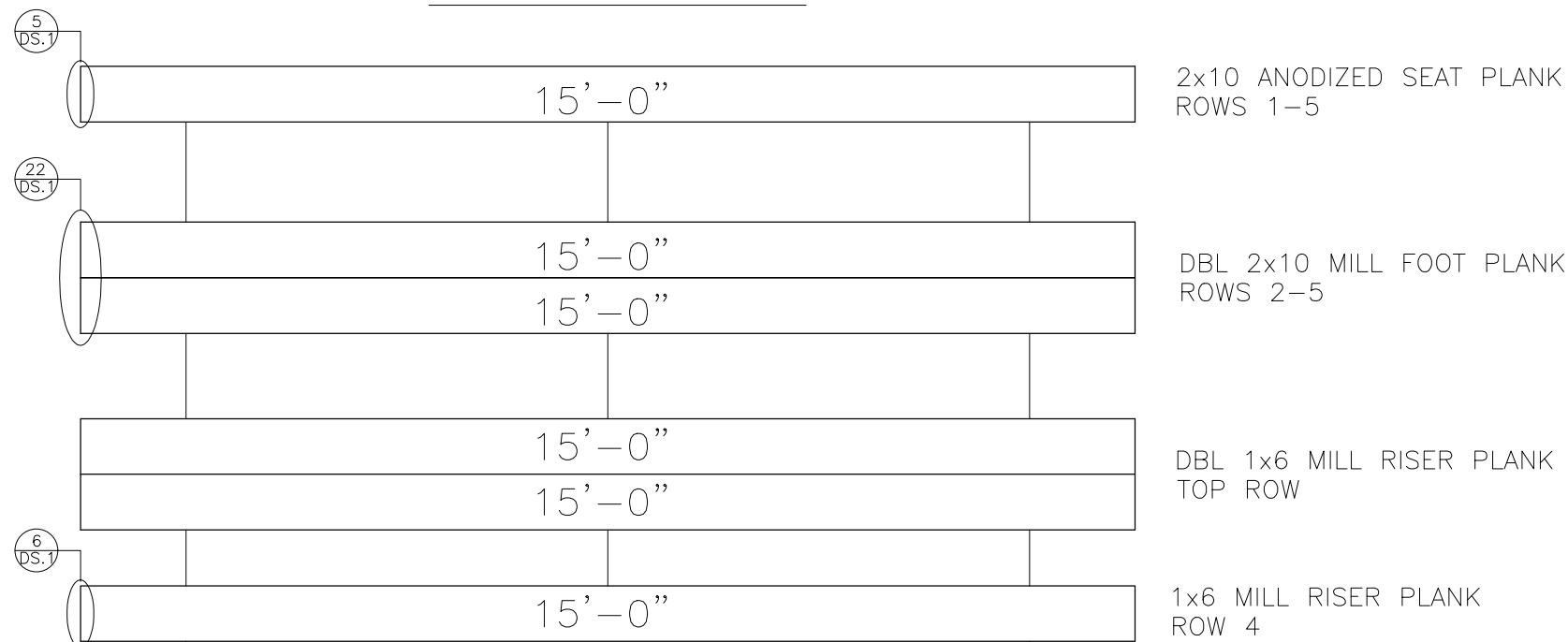


This drawing and all information contained herein is the property of NATIONAL RECREATION SYSTEMS, INC. and is not to be reproduced without express written permission of this manufacturer. We assume no responsibility for unauthorized use of this drawing. National Recreation Systems, Inc. is not responsible for local permits and occupancy requirements.

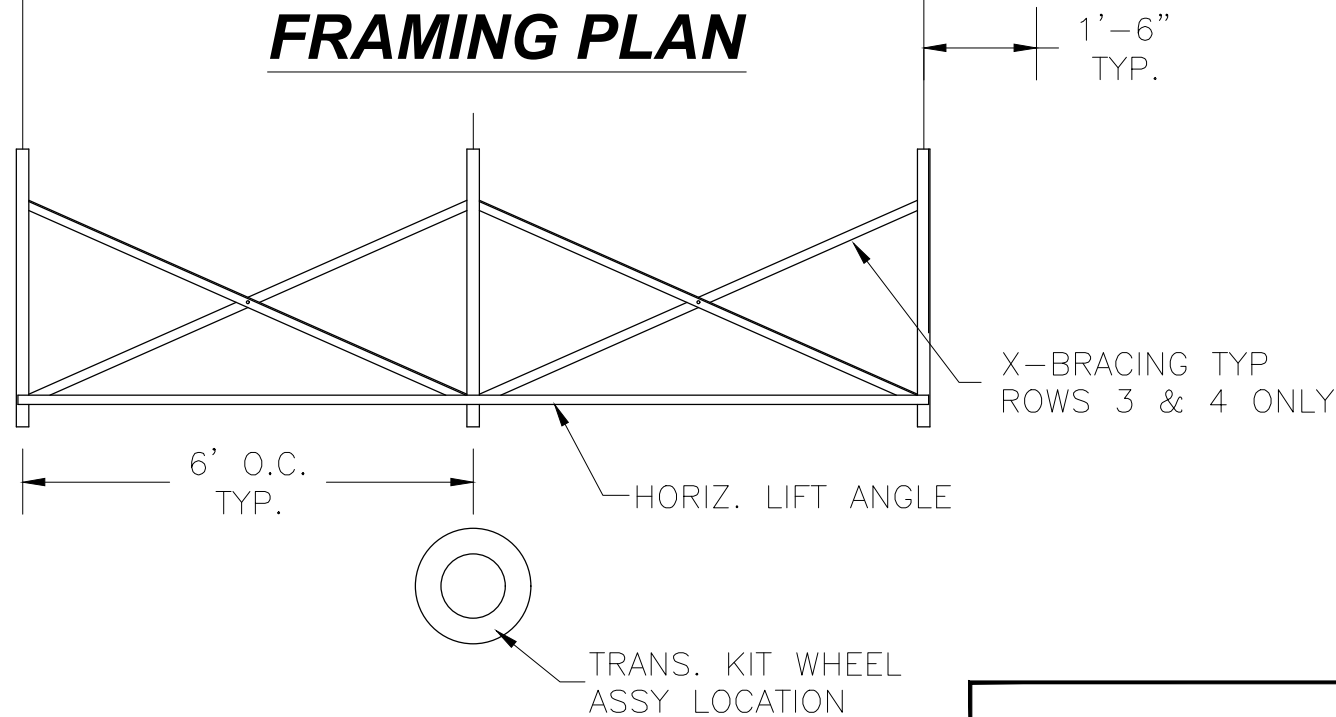
National Recreation Systems, Inc.
 1300-D NORTH AIRPORT OFFICE PARK FORT WAYNE, IN 46825

SCALE: N.T.S.	APPROVED BY: chuck	DRAWN BY: JML
DATE: 07/11/2016		
TITLE: BLEACHER ASSEMBLY		
BLEACHER MODEL #: NA-0515TPPRF_CL	DRAWING NUMBER: BA.1	

PLANK PLAN



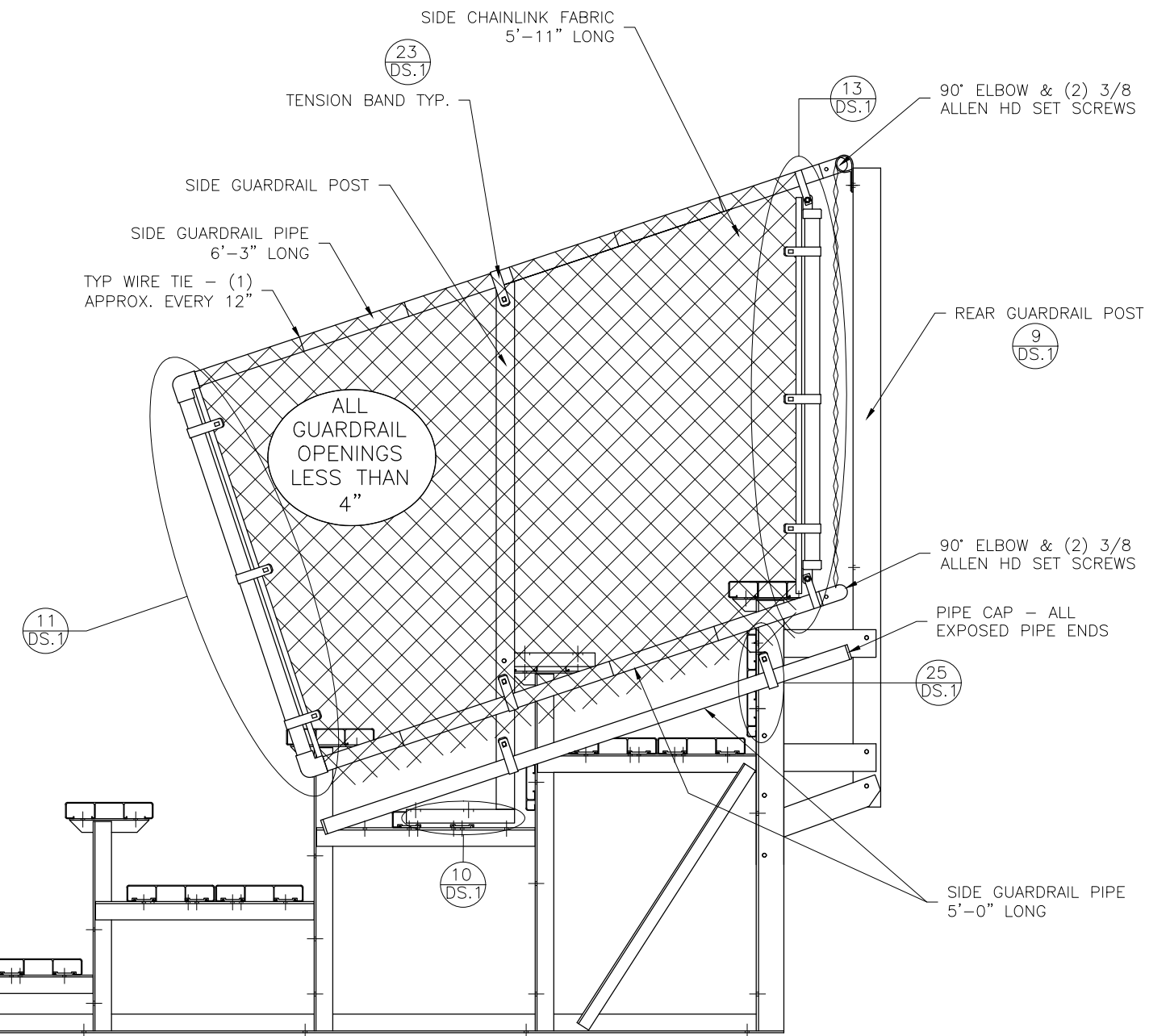
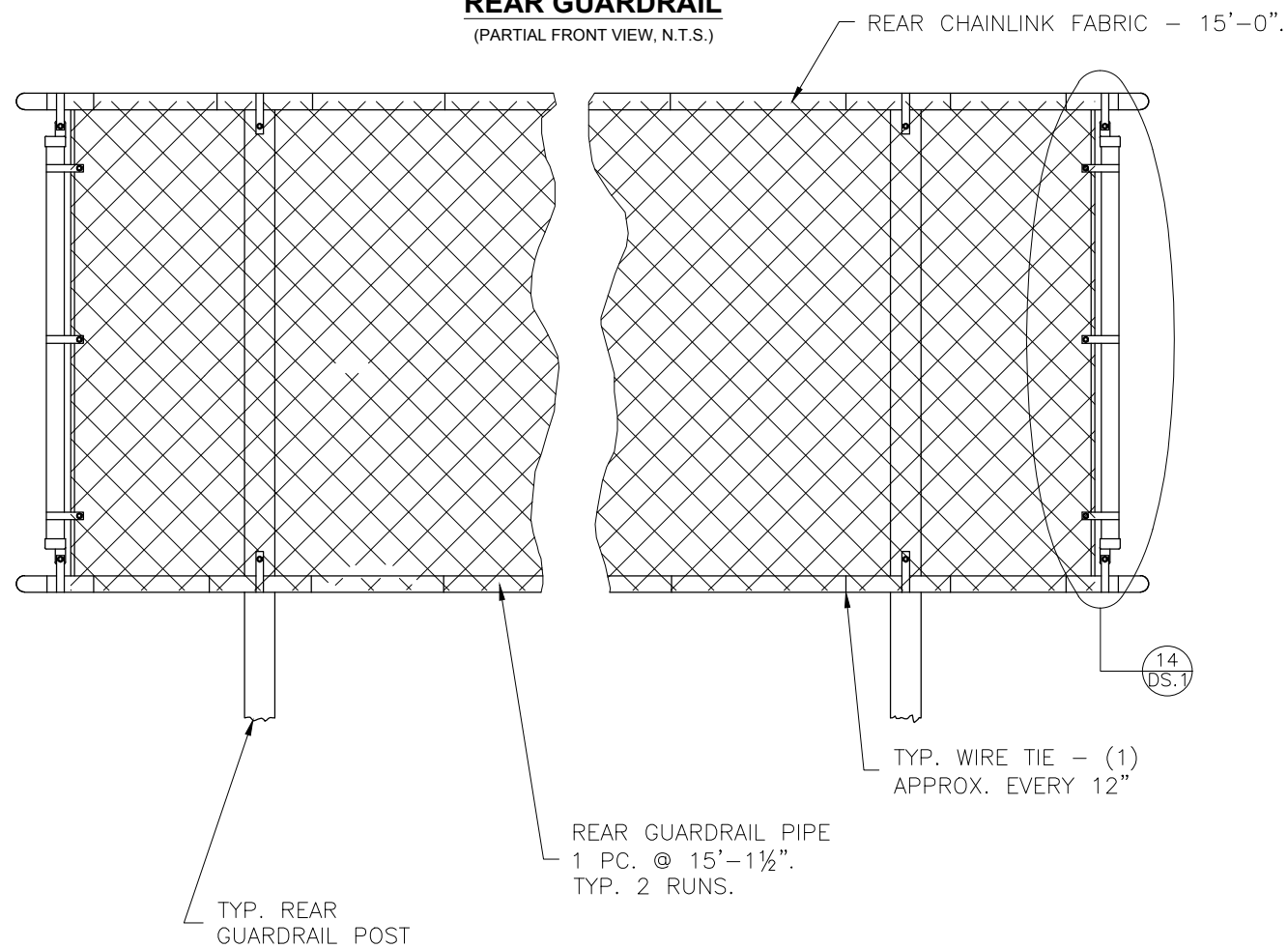
FRAMING PLAN



<p>This drawing and all information contained herein is the property of NATIONAL RECREATION SYSTEMS, INC. and is not to be reproduced without express written permission of this manufacturer. We assume no responsibility for unauthorized use of this drawing. National Recreation Systems, Inc. is not responsible for local permits and occupancy requirements.</p>			<p>National Recreation Systems, Inc. 1300-D NORTH AIRPORT OFFICE PARK FORT WAYNE, IN 46825</p>		
SCALE: N.T.S.	APPROVED BY: CHUCK	DRAWN BY: JML			
DATE: 07/11/2016					
TITLE: NON ELEVATED 5 ROW x 15'-0" PLANK & FRAMING PLAN					
BLEACHER MODEL #: NA-0515TPPRF_CL		DRAWING NUMBER: PF.1			

REAR GUARDRAIL

(PARTIAL FRONT VIEW, N.T.S.)

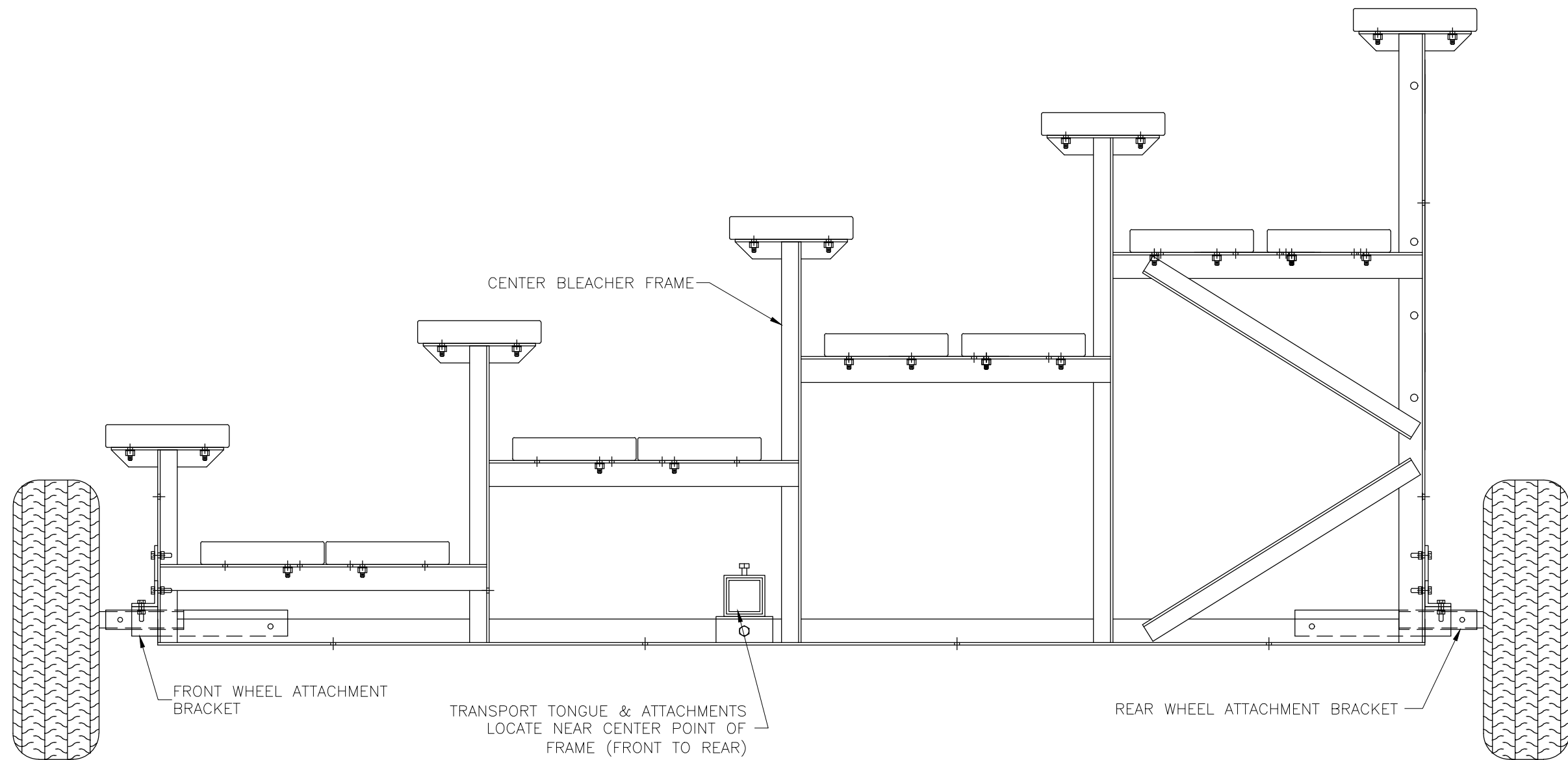


This drawing and all information contained herein is the property of NATIONAL RECREATION SYSTEMS, INC. and is not to be reproduced without express written permission of this manufacturer. We assume no responsibility for unauthorized use of this drawing. National Recreation Systems, Inc. is not responsible for local permits and occupancy requirements.

National Recreation Systems, Inc.

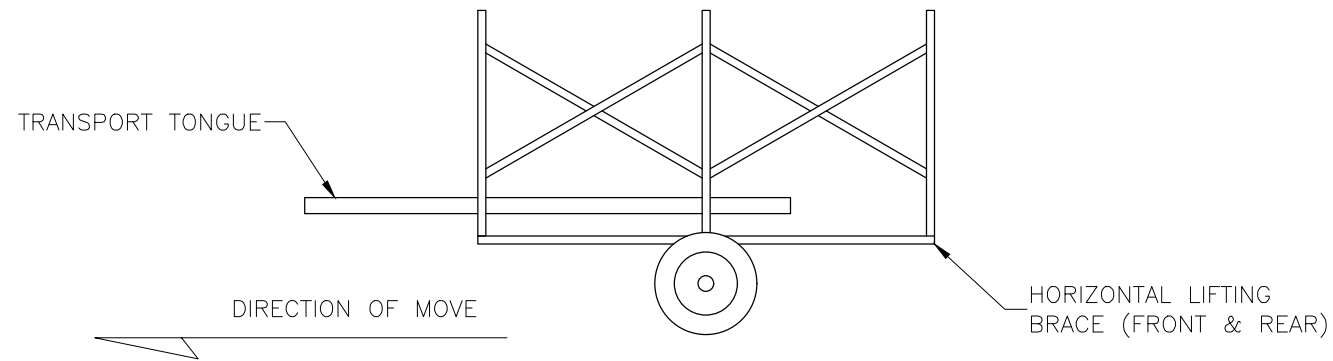
1300-D NORTH AIRPORT OFFICE PARK FORT WAYNE, IN 46825

SCALE: N.T.S.	APPROVED BY: CHUCK	DRAWN BY: JML
DATE: 07/11/2016		
TITLE: NON ELEVATED 5 ROW x 15'-0" GUARD RAIL ASSEMBLY		
BLEACHER MODEL #: NA-0515TPPRF_CL	DRAWING NUMBER: GR.1	

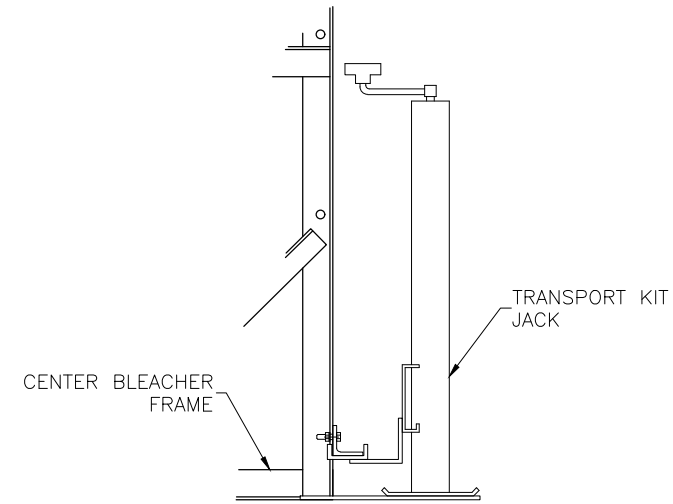


<p>This drawing and all information contained herein is the property of NATIONAL RECREATION SYSTEMS, INC. and is not to be reproduced without express written permission of this manufacturer. We assume no responsibility for unauthorized use of this drawing. National Recreation Systems, Inc. is not responsible for local permits and occupancy requirements.</p>		
<p>National Recreation Systems, Inc. 1300-D NORTH AIRPORT OFFICE PARK FORT WAYNE, IN 46825</p>		
SCALE: N.T.S.	APPROVED BY: CHUCK	DRAWN BY: JML
DATE: 07/11/2016		
TITLE: NON ELEVATED 5 ROW x 15'-0" TRANSP. KIT ASSEMBLY		
BLEACHER MODEL #: NA-0515TPPRF_CL	DRAWING NUMBER: TA.1	

REAR VIEW

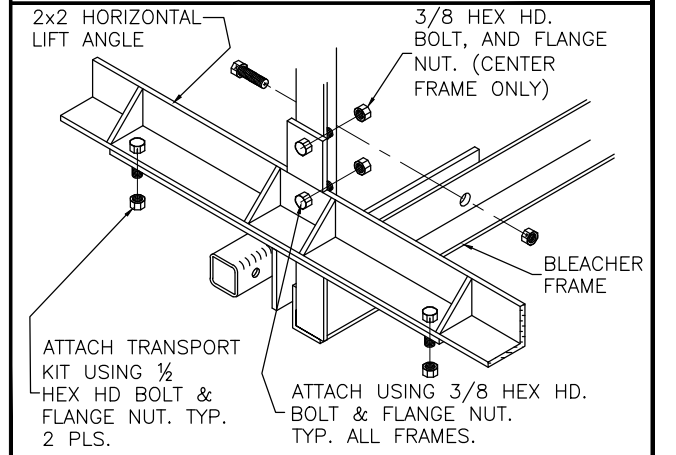


JACK ATTACHMENT

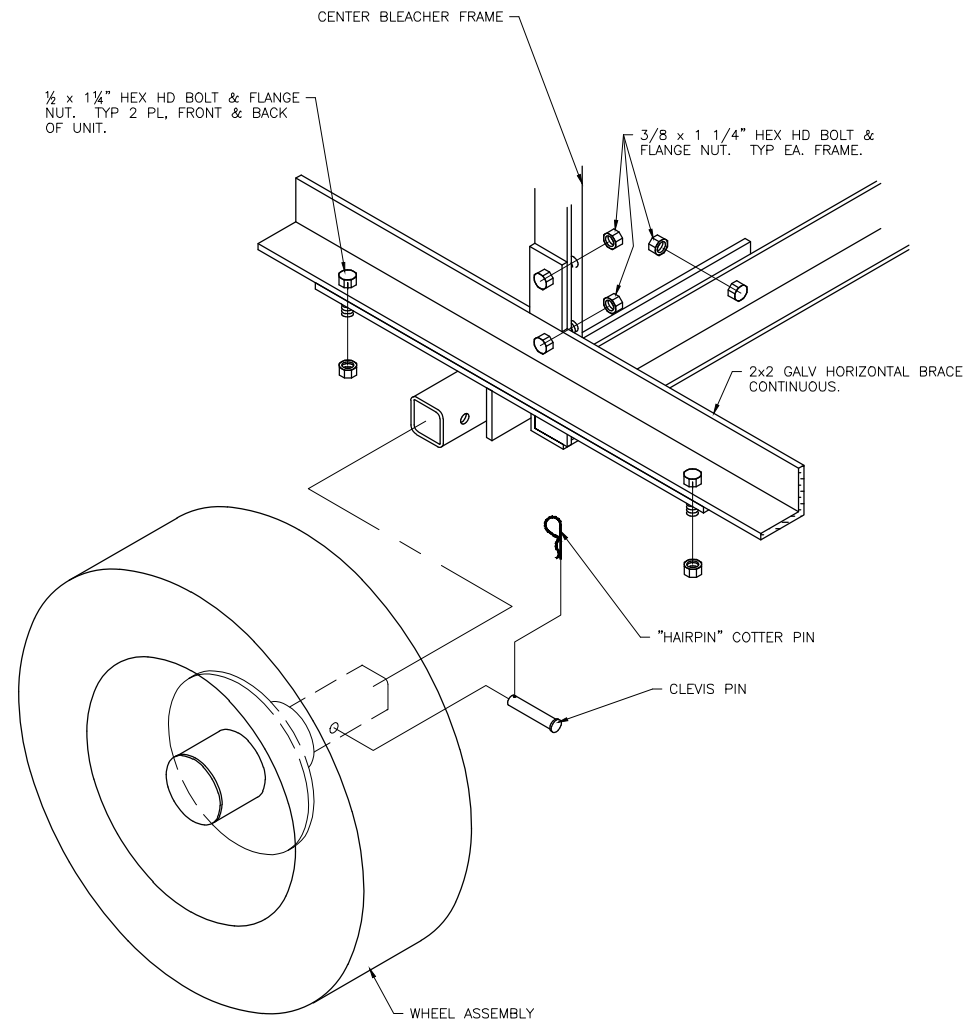


PLACE JACK ON UNDER SIDE OF HORIZONTAL BRACE APPROX. 14"–18" AWAY FROM CENTER FRAME, AS SHOWN. BLEACHER SHOULD ALWAYS BE ON SOLID, LEVEL GROUND, AND BE STABILIZED TO PREVENT MOVEMENT WHEN USING JACK.

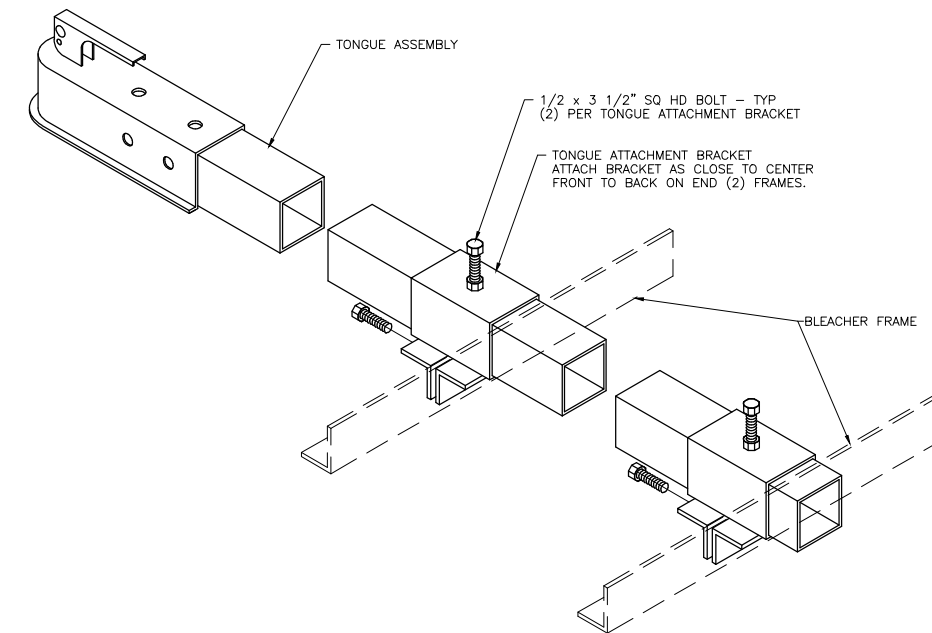
HORIZ. LIFT ANGLE ATTACHMENT



WHEEL ASSEMBLY

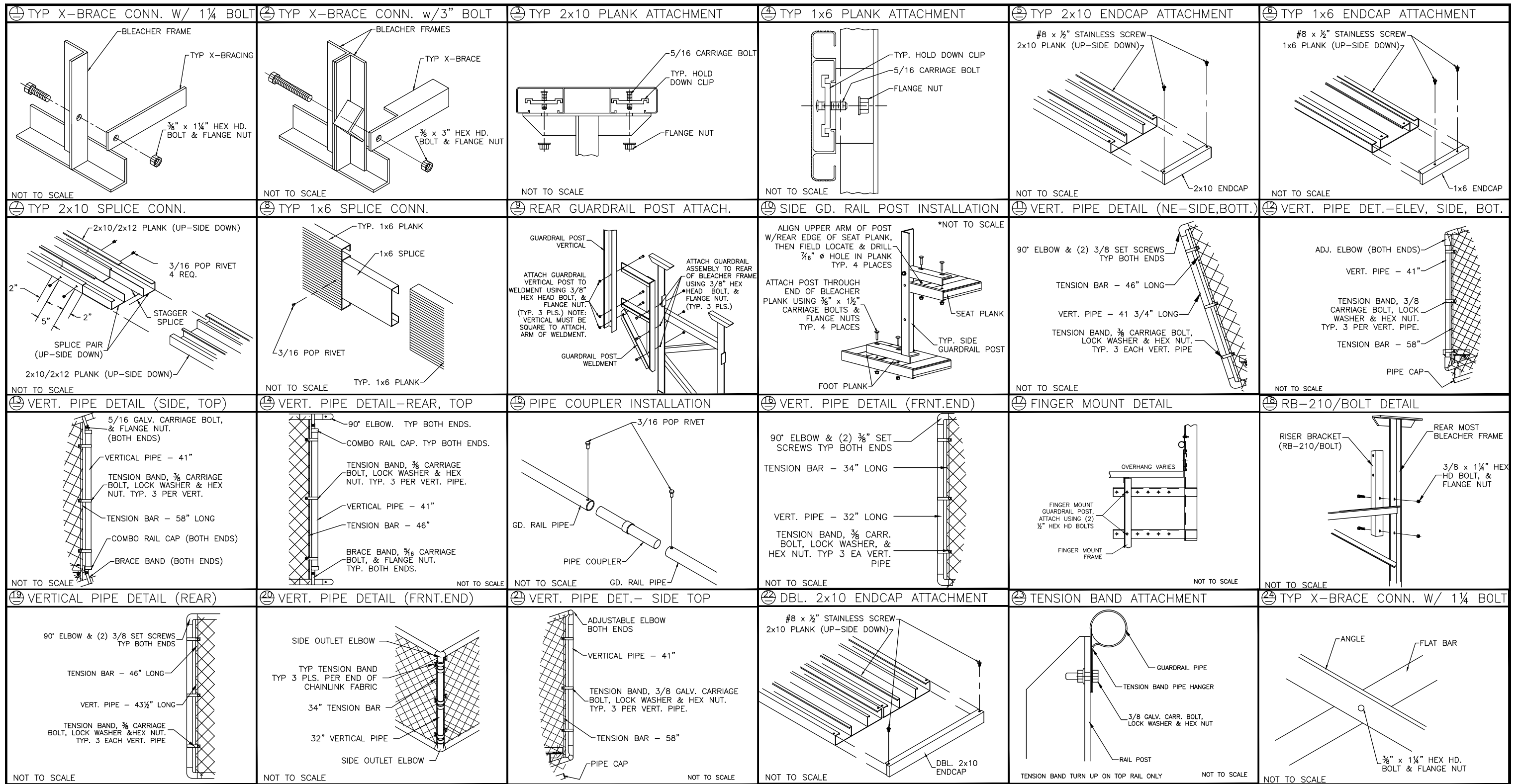


TONGUE ASSEMBLY



This drawing and all information contained herein is the property of NATIONAL RECREATION SYSTEMS, INC. and is not to be reproduced without express written permission of this manufacturer. We assume no responsibility for unauthorized use of this drawing. National Recreation Systems, Inc. is not responsible for local permits and occupancy requirements.

National Recreation Systems, Inc.		
1300-D NORTH AIRPORT OFFICE PARK FORT WAYNE, IN 46825		
SCALE: N.T.S.	APPROVED BY: CHUCK	DRAWN BY: JML
DATE: 07/12/2016		
TITLE: NON ELEVATED 5 ROW x 15'-0" TRANSP. KIT ASSEMBLY		
BLEACHER MODEL #: NA-0515TPPRF_CL	DRAWING NUMBER: TA.2	



This drawing and all information contained herein is the property of NATIONAL RECREATION SYSTEMS, INC. and is not to be reproduced without express written permission of this manufacturer. We assume no responsibility for unauthorized use of this drawing. National Recreation Systems, Inc. is not responsible for local permits and occupancy requirements.

National Recreation Systems, Inc.
1300-D NORTH AIRPORT OFFICE PARK FORT WAYNE, IN 46825

SCALE: N.T.S. APPROVED BY: CHUCK
DATE: 07/11/2016 DRAWN BY: JML

TITLE: DETAIL SHEETS

BLEACHER MODEL #: NA-0515TPPRF_CL DRAWING NUMBER: DS.1