

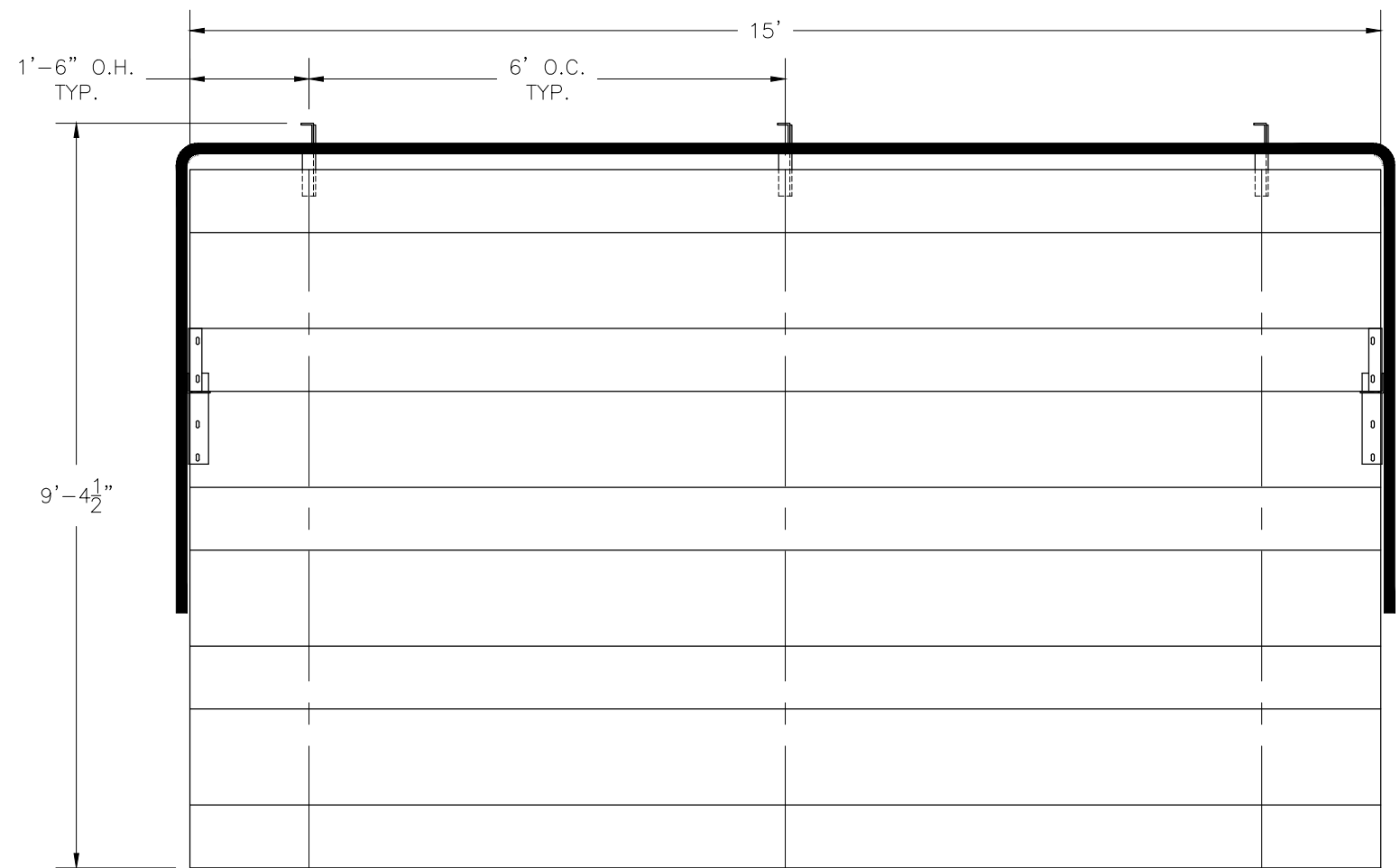
# ***NA-0515TPSTD/CL***

## ***NON ELEVATED 5 ROW x 15'-0" TRANSPORTABLE BLEACHER***

### **National Recreation Systems, Inc.**

**1300-D NORTH AIRPORT OFFICE PARK FORT WAYNE, IN 46825**

CS.1	- COVER SHEET
TD.1	- BLEACHER SEATING PLAN
GS.1	- GROUND SILL PLAN
BA.1	- BLEACHER ASSEMBLY
PF.1	- PLANK & FRAMING PLAN
GR.1	- GUARDRAIL ASSEMBLY
TA.1	- TRANSPORT KIT ASSEMBLY
TA.2	- TRANSPORT KIT ASSEMBLY
DS.1	- DETAIL SHEET



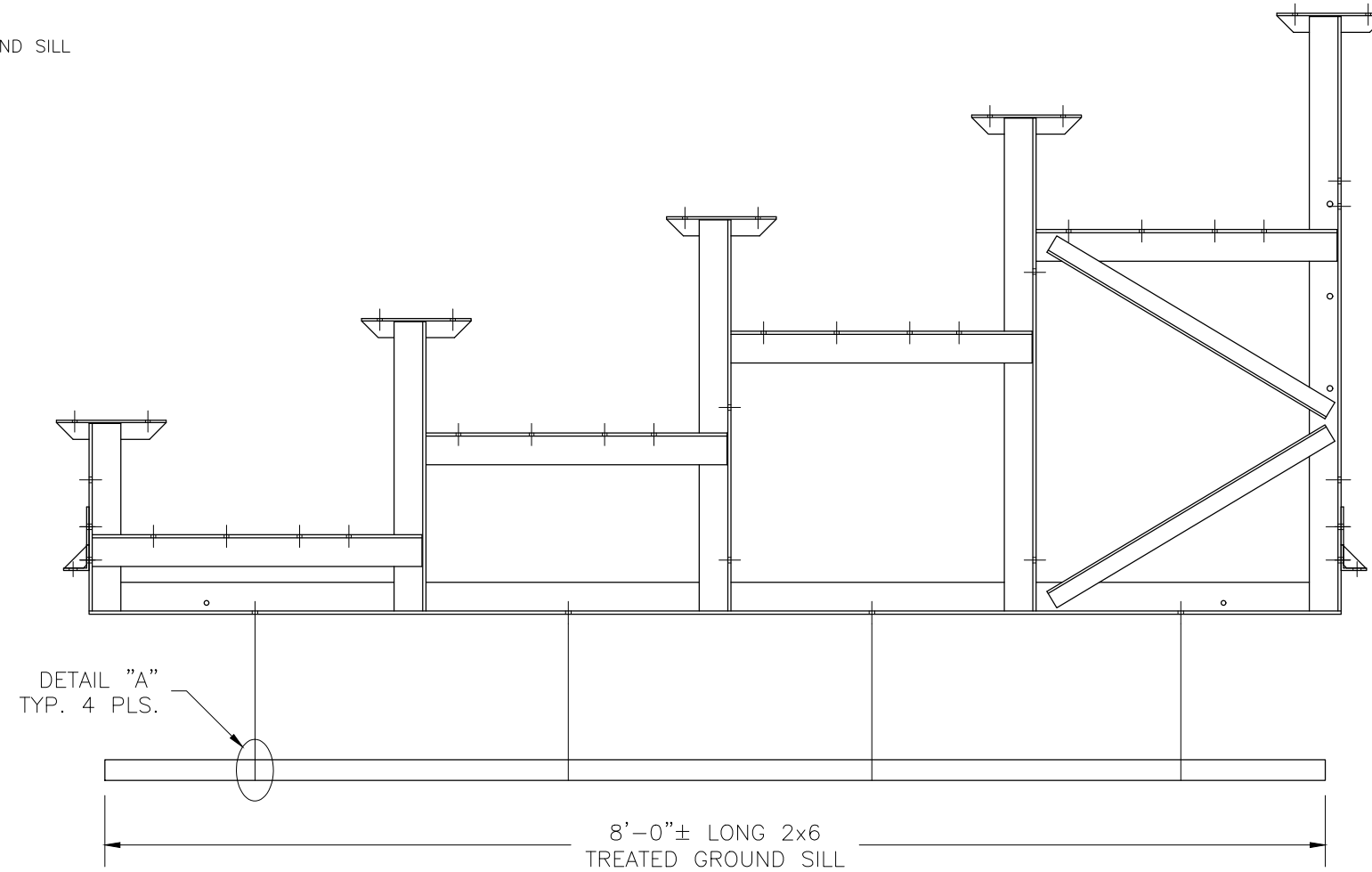
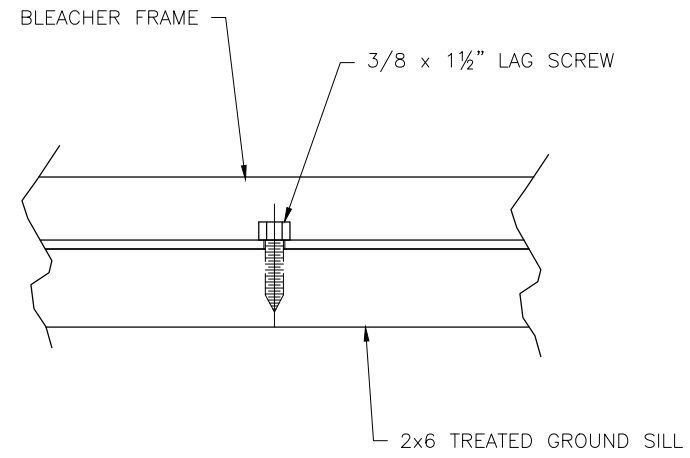
SECTION LENGTH	GROSS SEATS	ACTUAL SEATS	NO. OF ROWS	NET SEATS
15	10.00	10.00	5	50
			<b>NET SEATS</b>	<b>50</b>
			<b>WHEELCHAIR SPACES</b>	<b>0</b>
			<b>TOTAL NET SEATING CAPACITY</b>	<b>50</b>
			<b>(BASED ON 18" PER SEAT)</b>	

This drawing and all information contained herein is the property of NATIONAL RECREATION SYSTEMS, INC. and is not to be reproduced without express written permission of this manufacturer. We assume no responsibility for unauthorized use of this drawing. National Recreation Systems, Inc. is not responsible for local permits and occupancy requirements.

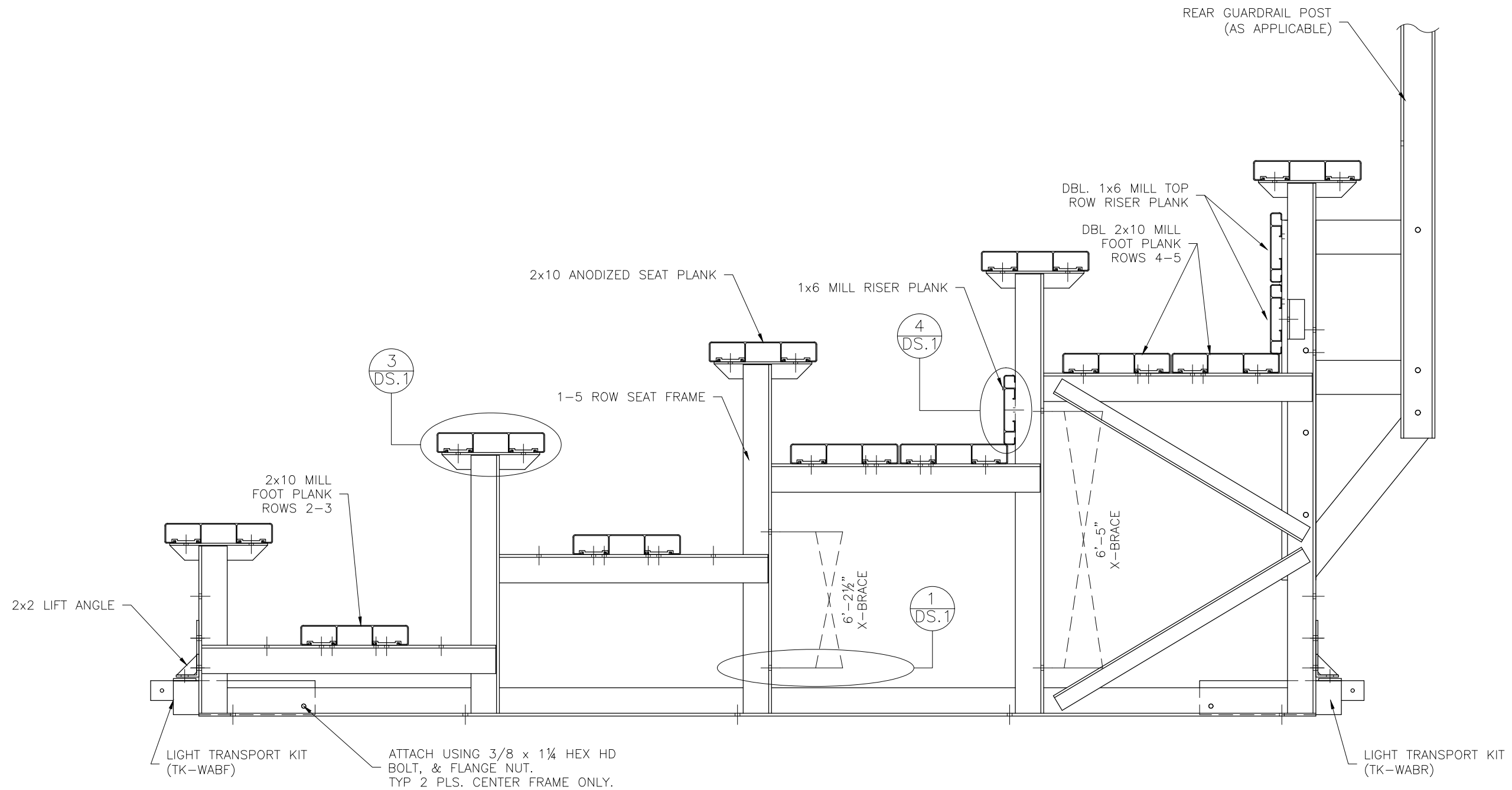
**National Recreation Systems, Inc.**  
**1300-D NORTH AIRPORT OFFICE PARK FORT WAYNE, IN 46825**

SCALE: N.T.S.	APPROVED BY: CHUCK	DRAWN BY: JML
DATE: 07/11/2016		
TITLE: NON ELEVATED 5 ROW x 15'-0" BLEACHER SEATING PLAN		
BLEACHER MODEL #: NA-0515TPSTD/CL	DRAWING NUMBER: TD.1	

**DETAIL 'A' - GROUND SILL ATTACHMENT**



<p>This drawing and all information contained herein is the property of NATIONAL RECREATION SYSTEMS, INC. and is not to be reproduced without express written permission of this manufacturer. We assume no responsibility for unauthorized use of this drawing. National Recreation Systems, Inc. is not responsible for local permits and occupancy requirements.</p>			<p><b>National Recreation Systems, Inc.</b>  <b>1300-D NORTH AIRPORT OFFICE PARK FORT WAYNE, IN 46825</b></p>			
SCALE:	N.T.S.	APPROVED BY:	CHUCK		DRAWN BY:	JML
DATE:	07/11/2016					
TITLE:	NON ELEVATED 5 ROW x 15'-0" GROUND SILL PLAN					
BLEACHER MODEL #:	NA-0515TPSTD/CL	DRAWING NUMBER:			FP.1	

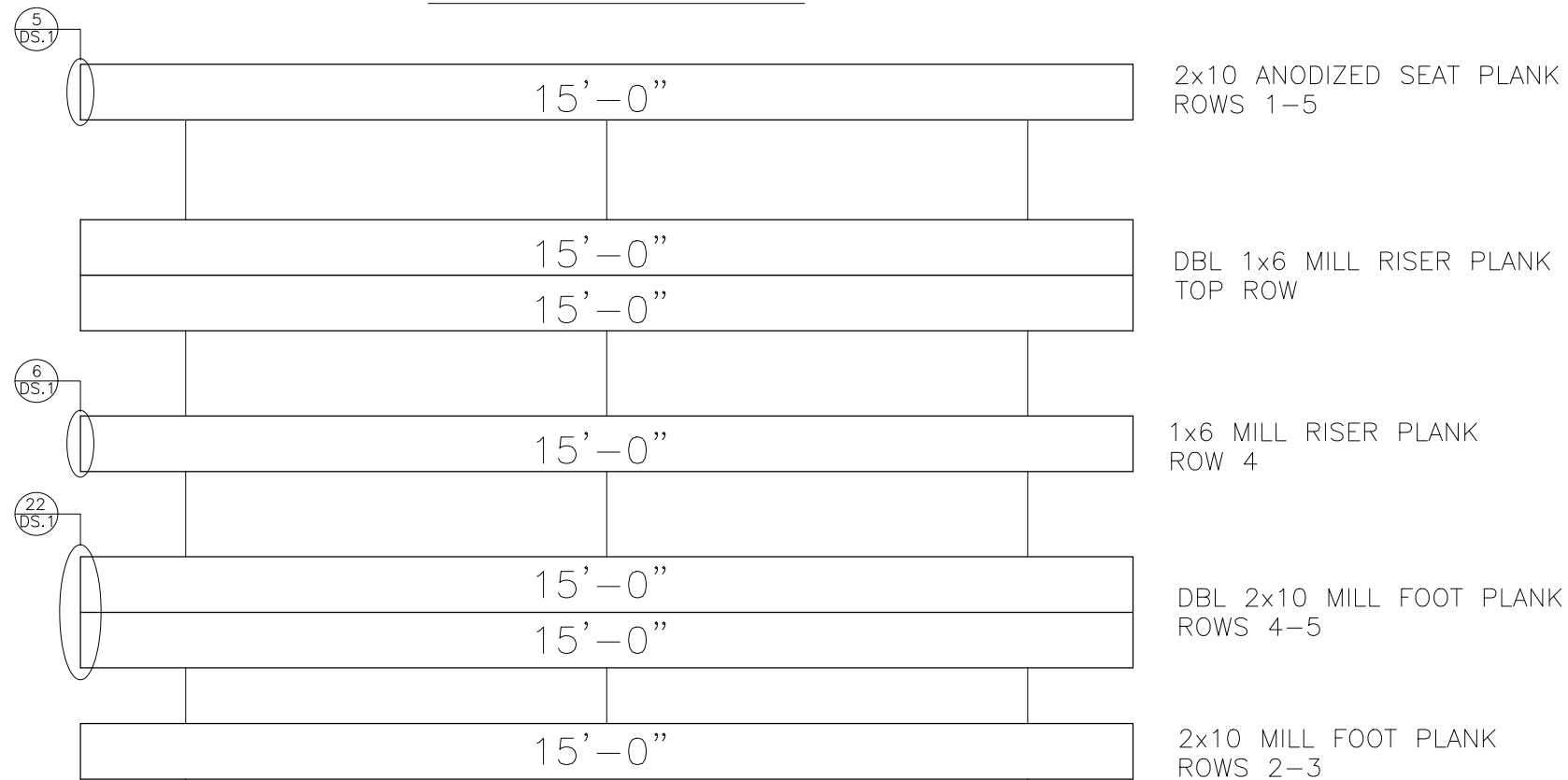


This drawing and all information contained herein is the property of NATIONAL RECREATION SYSTEMS, INC. and is not to be reproduced without express written permission of this manufacturer. We assume no responsibility for unauthorized use of this drawing. National Recreation Systems, Inc. is not responsible for local permits and occupancy requirements.

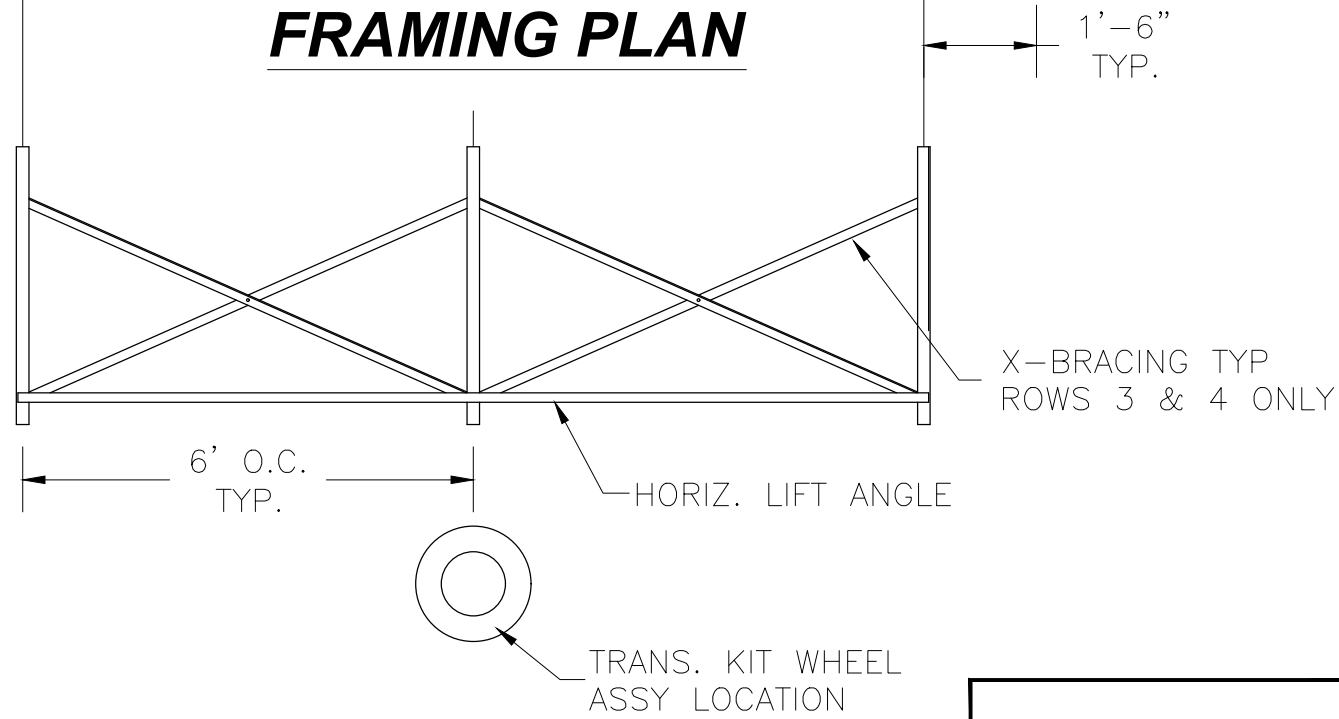
**National Recreation Systems, Inc.**  
 1300-D NORTH AIRPORT OFFICE PARK FORT WAYNE, IN 46825

SCALE: N.T.S.	APPROVED BY: chuck	DRAWN BY: JML
DATE: 07/11/2016		
TITLE: BLEACHER ASSEMBLY		
BLEACHER MODEL #: NA-0515TPSTD/CL	DRAWING NUMBER: BA.1	

# PLANK PLAN



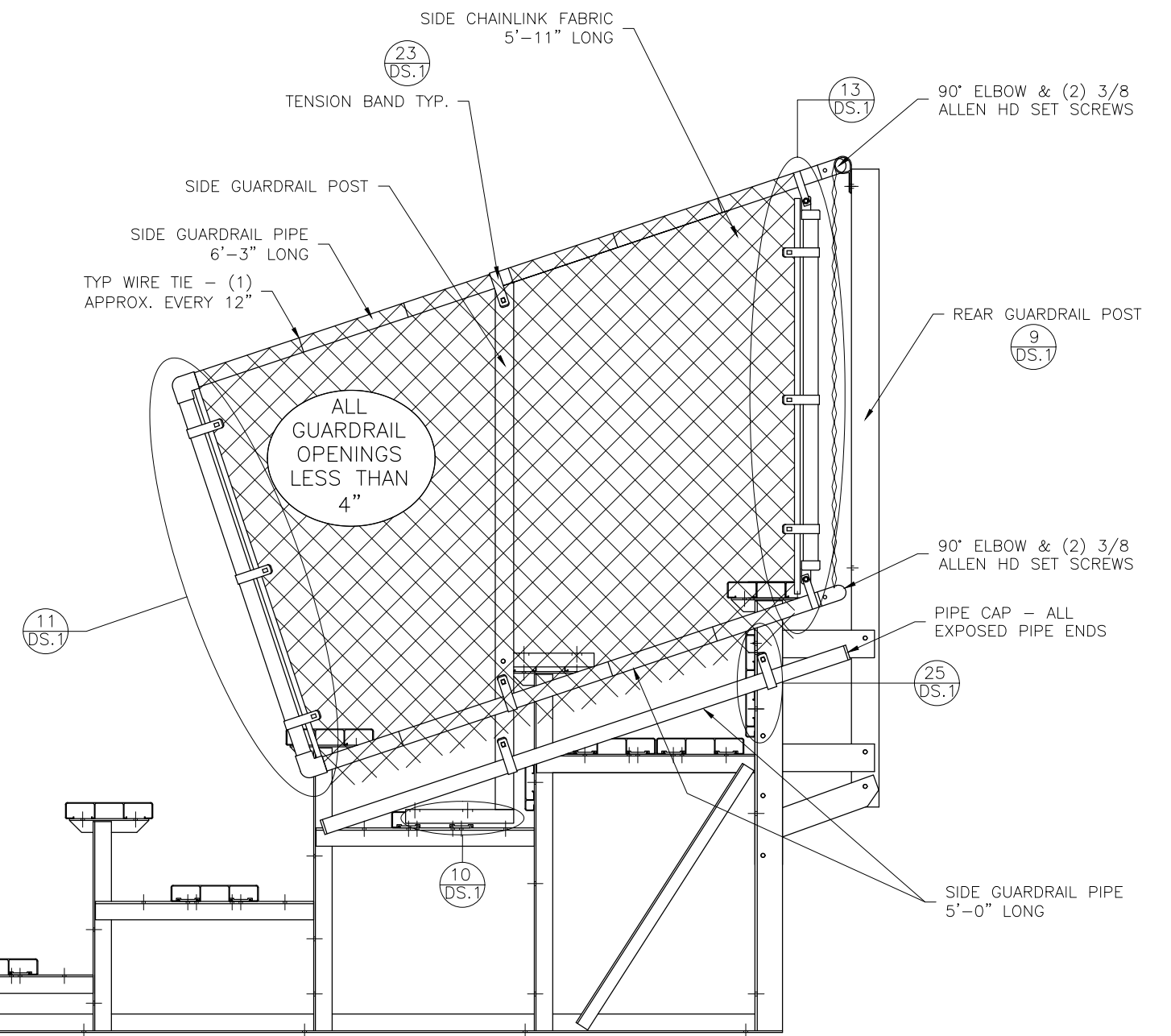
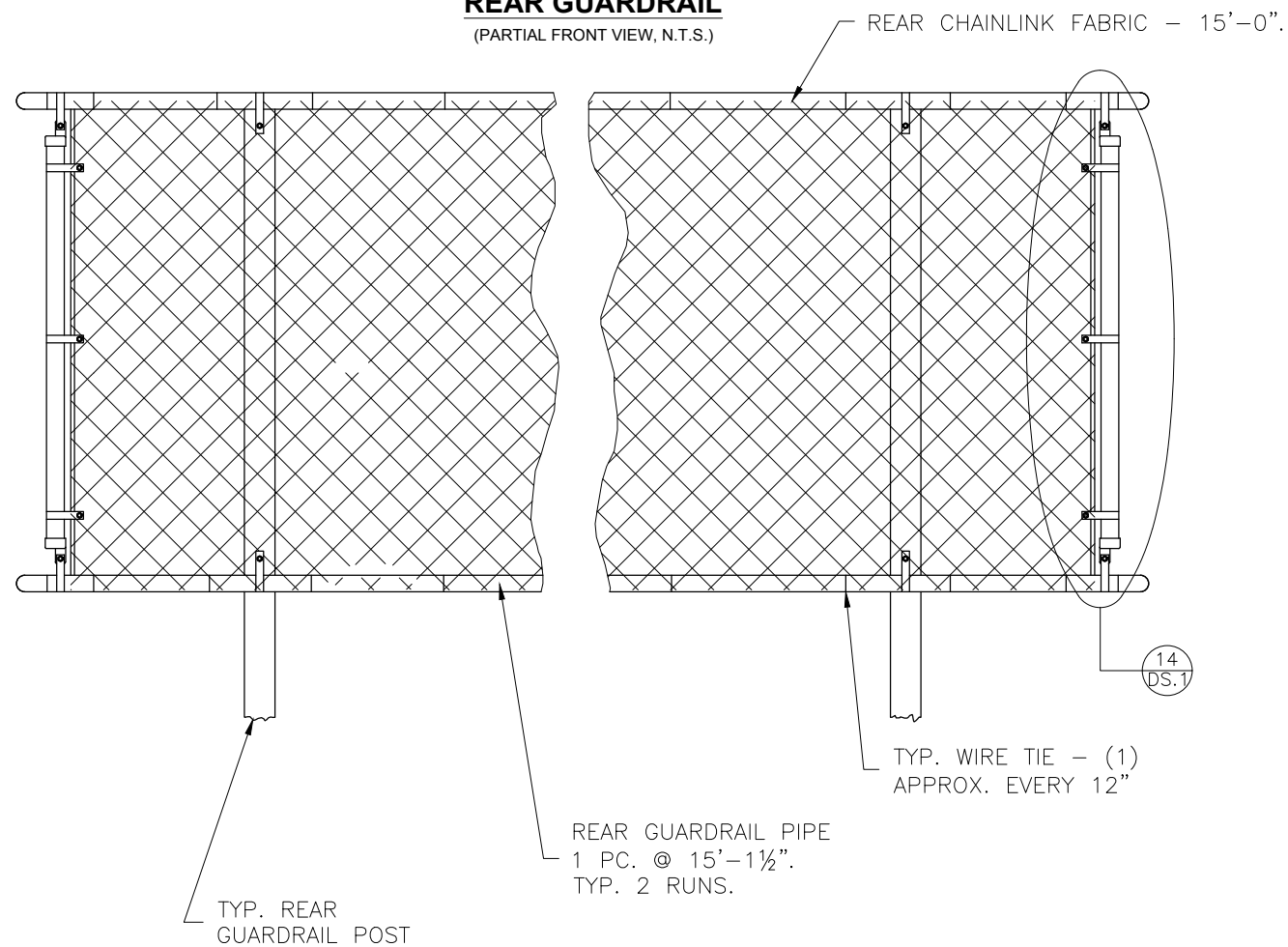
# FRAMING PLAN



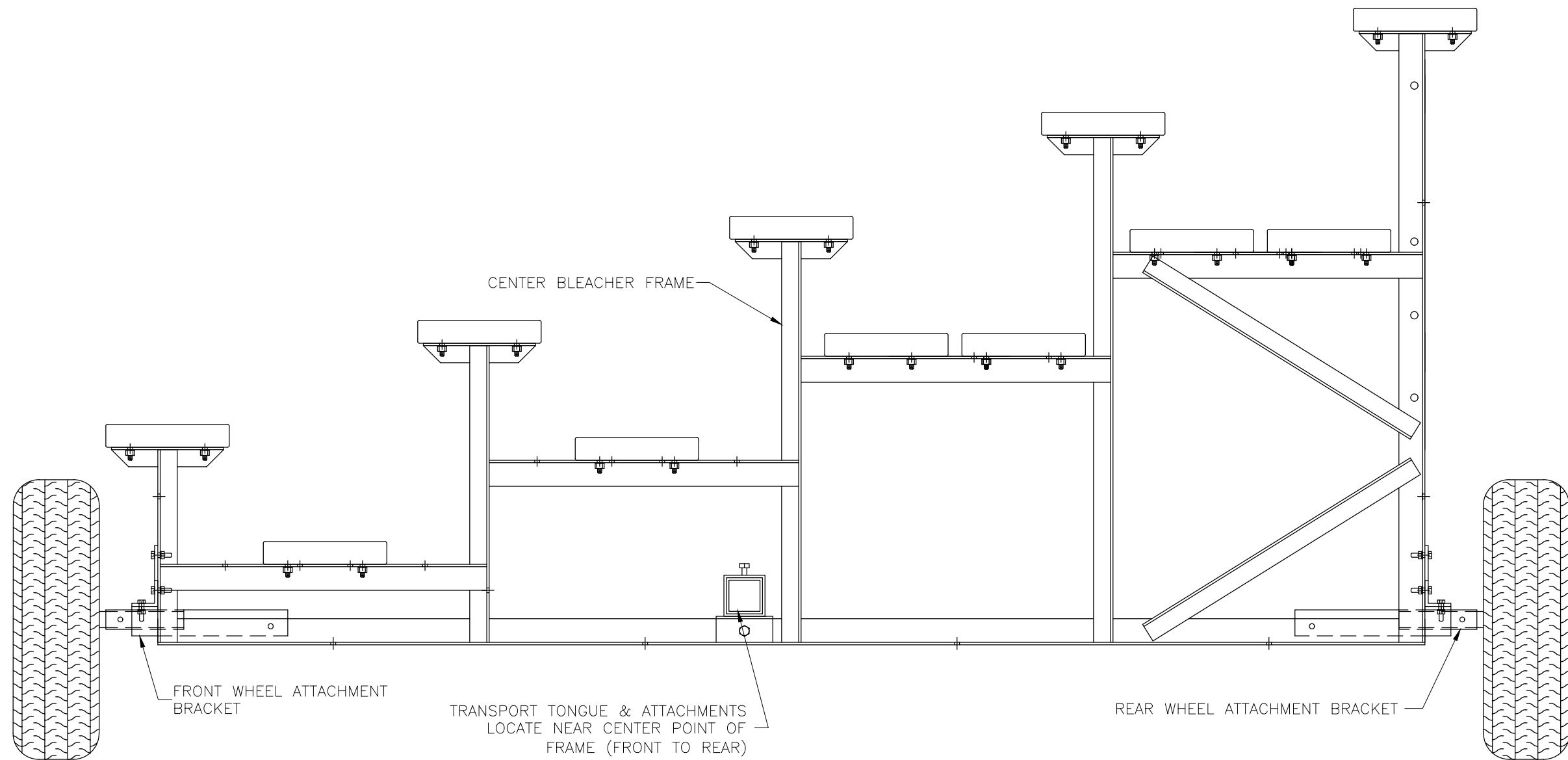
<p>This drawing and all information contained herein is the property of NATIONAL RECREATION SYSTEMS, INC. and is not to be reproduced without express written permission of this manufacturer. We assume no responsibility for unauthorized use of this drawing. National Recreation Systems, Inc. is not responsible for local permits and occupancy requirements.</p>			<p><b>National Recreation Systems, Inc.</b> 1300-D NORTH AIRPORT OFFICE PARK FORT WAYNE, IN 46825</p>		
SCALE: N.T.S.	APPROVED BY: CHUCK	DRAWN BY: JML			
DATE: 07/11/2016					
TITLE: NON ELEVATED 5 ROW x 15'-0" PLANK & FRAMING PLAN			DRAWING NUMBER: PF.1		
BLEACHER MODEL #: NA-0515TPSTD/CL					

**REAR GUARDRAIL**

(PARTIAL FRONT VIEW, N.T.S.)



<p>This drawing and all information contained herein is the property of NATIONAL RECREATION SYSTEMS, INC. and is not to be reproduced without express written permission of this manufacturer. We assume no responsibility for unauthorized use of this drawing. National Recreation Systems, Inc. is not responsible for local permits and occupancy requirements.</p>		
<p><b>National Recreation Systems, Inc.</b>  <b>1300-D NORTH AIRPORT OFFICE PARK FORT WAYNE, IN 46825</b></p>		
SCALE: N.T.S.	APPROVED BY: CHUCK	DRAWN BY: JML
DATE: 07/11/2016		
TITLE: NON ELEVATED 5 ROW x 15'-0" GUARD RAIL ASSEMBLY		
BLEACHER MODEL #: NA-0515TPSTD/CL	DRAWING NUMBER: GR.1	

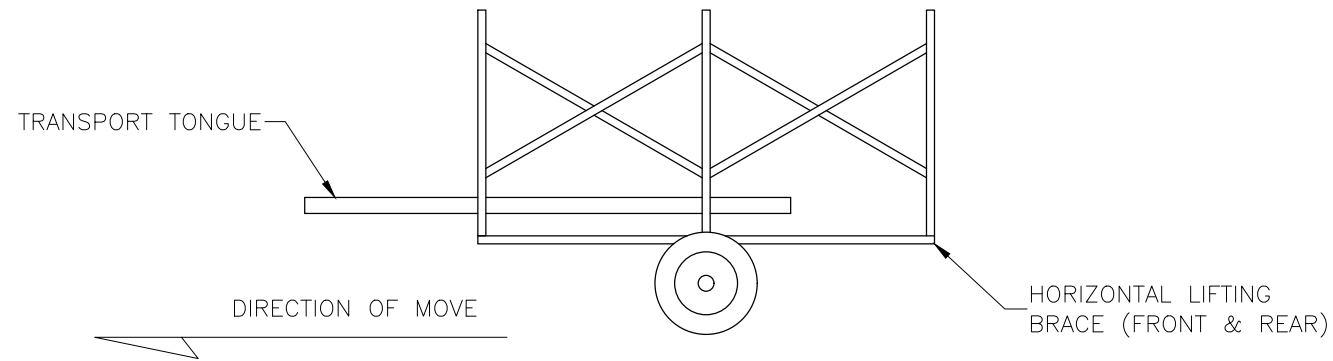


This drawing and all information contained herein is the property of NATIONAL RECREATION SYSTEMS, INC. and is not to be reproduced without express written permission of this manufacturer. We assume no responsibility for unauthorized use of this drawing. National Recreation Systems, Inc. is not responsible for local permits and occupancy requirements.

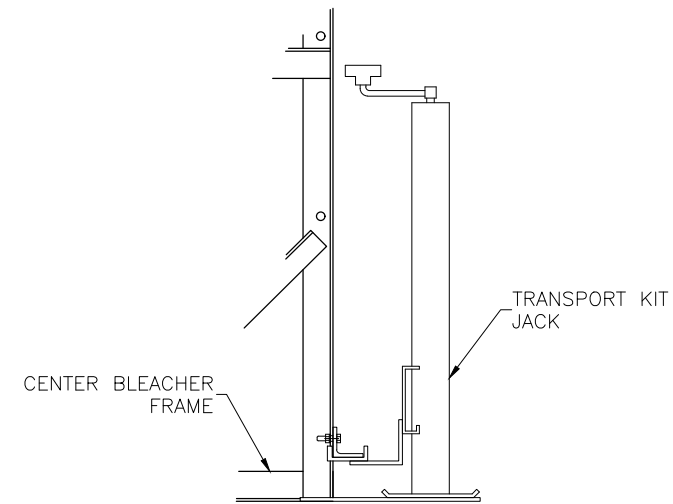
**National Recreation Systems, Inc.**  
 1300-D NORTH AIRPORT OFFICE PARK FORT WAYNE, IN 46825

SCALE: N.T.S.	APPROVED BY: CHUCK	DRAWN BY: JML
DATE: 07/11/2016		
TITLE: NON ELEVATED 5 ROW x 15'-0" TRANSP. KIT ASSEMBLY		
BLEACHER MODEL #: NA-0515TPSTD/CL	DRAWING NUMBER: TA.1	

**REAR VIEW**

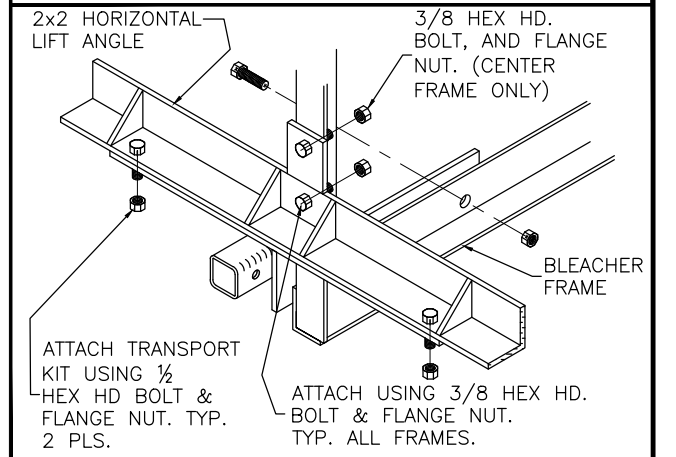


**JACK ATTACHMENT**

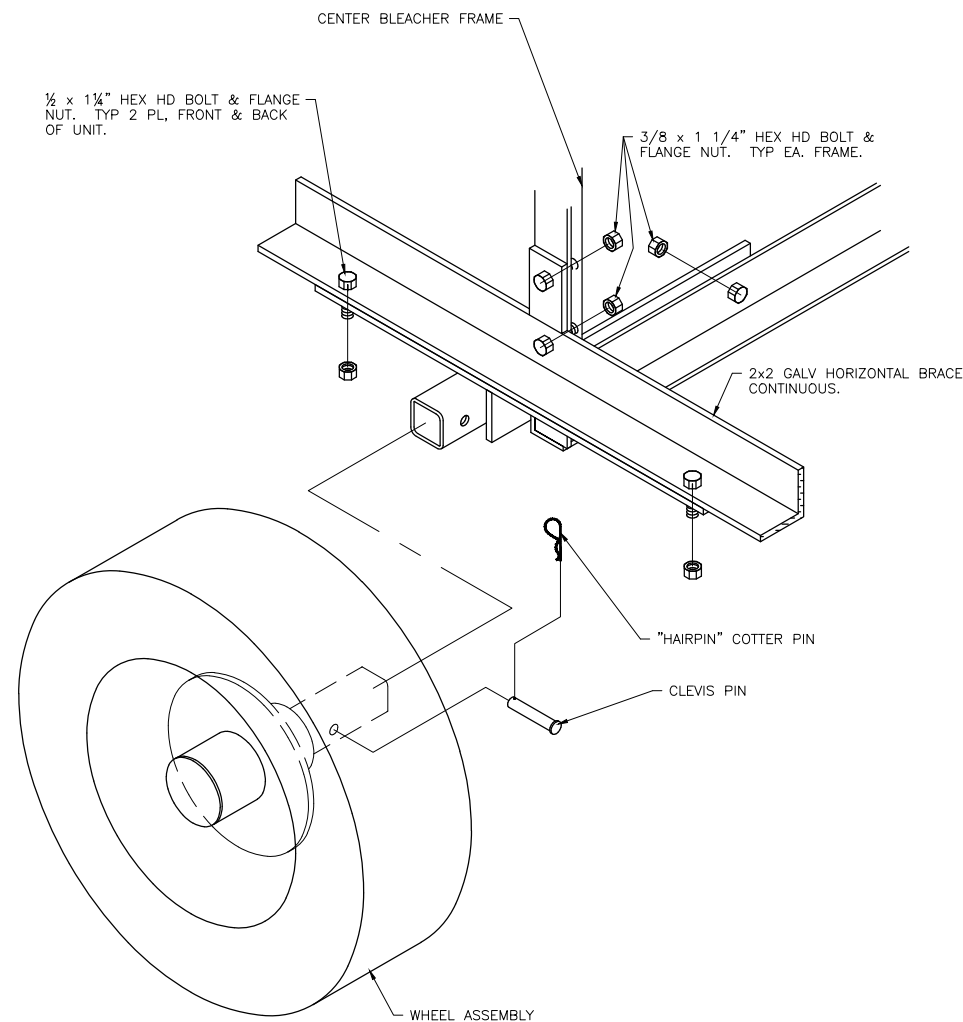


PLACE JACK ON UNDER SIDE OF HORIZONTAL BRACE APPROX. 14"–18" AWAY FROM CENTER FRAME, AS SHOWN. BLEACHER SHOULD ALWAYS BE ON SOLID, LEVEL GROUND, AND BE STABILIZED TO PREVENT MOVEMENT WHEN USING JACK.

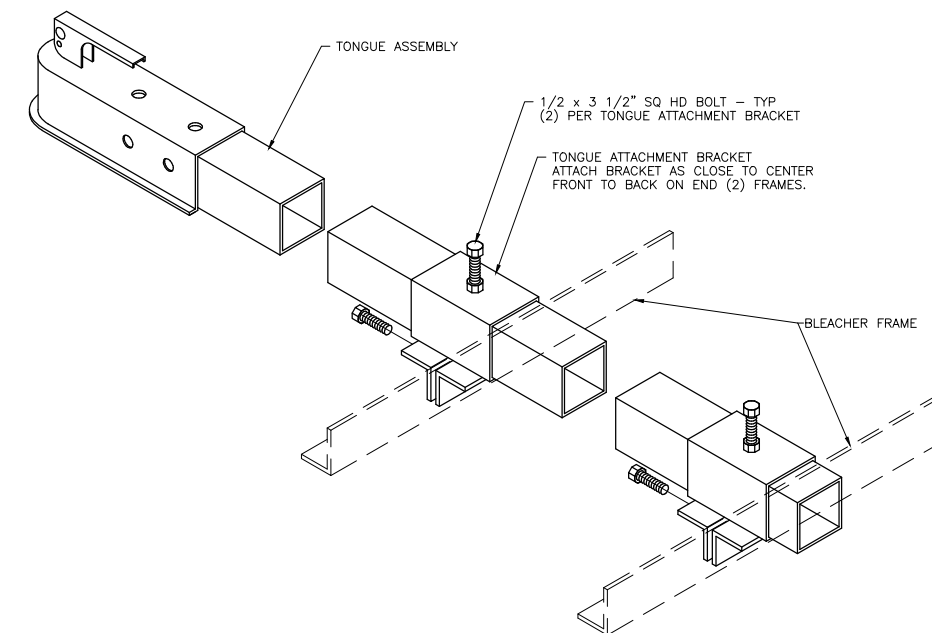
**HORIZ. LIFT ANGLE ATTACHMENT**



**WHEEL ASSEMBLY**



**TONGUE ASSEMBLY**



This drawing and all information contained herein is the property of NATIONAL RECREATION SYSTEMS, INC. and is not to be reproduced without express written permission of this manufacturer. We assume no responsibility for unauthorized use of this drawing. National Recreation Systems, Inc. is not responsible for local permits and occupancy requirements.

<b>National Recreation Systems, Inc.</b>		
1300-D NORTH AIRPORT OFFICE PARK FORT WAYNE, IN 46825		
SCALE: N.T.S.	APPROVED BY: CHUCK	DRAWN BY: JML
DATE: 07/12/2016		
TITLE: NON ELEVATED 5 ROW x 15'-0" TRANSP. KIT ASSEMBLY		
BLEACHER MODEL #: NA-0515TPSTD/CL		DRAWING NUMBER: TA.2



<p>⊕ TYP X-BRACE CONN. W/ 1/4" BOLT</p> <p>NOT TO SCALE</p>	<p>⊕ TYP X-BRACE CONN. w/3" BOLT</p> <p>NOT TO SCALE</p>	<p>⊕ TYP 2x10 PLANK ATTACHMENT</p> <p>NOT TO SCALE</p>	<p>⊕ TYP 1x6 PLANK ATTACHMENT</p> <p>NOT TO SCALE</p>	<p>⊕ TYP 2x10 ENDCAP ATTACHMENT</p> <p>NOT TO SCALE</p>	<p>⊕ TYP 1x6 ENDCAP ATTACHMENT</p> <p>NOT TO SCALE</p>												
<p>⊕ TYP 2x10 SPLICE CONN.</p> <p>NOT TO SCALE</p>	<p>⊕ TYP 1x6 SPLICE CONN.</p> <p>NOT TO SCALE</p>	<p>⊕ REAR GUARDRAIL POST ATTACH.</p>	<p>⊕ SIDE GD. RAIL POST INSTALLATION</p>	<p>⊕ VERT. PIPE DETAIL (NE-SIDE,BOTT.)</p> <p>NOT TO SCALE</p>	<p>⊕ VERT. PIPE DET.-ELEV, SIDE, BOT.</p> <p>NOT TO SCALE</p>												
<p>⊕ VERT. PIPE DETAIL (SIDE, TOP)</p> <p>NOT TO SCALE</p>	<p>⊕ VERT. PIPE DETAIL-REAR, TOP</p> <p>NOT TO SCALE</p>	<p>⊕ PIPE COUPLER INSTALLATION</p> <p>NOT TO SCALE</p>	<p>⊕ VERT. PIPE DETAIL (FRNT.END)</p> <p>NOT TO SCALE</p>	<p>⊕ FINGER MOUNT DETAIL</p> <p>NOT TO SCALE</p>	<p>⊕ RB-210/BOLT DETAIL</p> <p>NOT TO SCALE</p>												
<p>⊕ VERTICAL PIPE DETAIL (REAR)</p> <p>NOT TO SCALE</p>	<p>⊕ VERT. PIPE DETAIL (FRNT.END)</p> <p>NOT TO SCALE</p>	<p>⊕ VERT. PIPE DET.- SIDE TOP</p> <p>NOT TO SCALE</p>	<p>⊕ DBL. 2x10 ENDCAP ATTACHMENT</p> <p>NOT TO SCALE</p>	<p>⊕ TENSION BAND ATTACHMENT</p> <p>NOT TO SCALE</p>	<p>⊕ TYP X-BRACE CONN. W/ 1/4 BOLT</p> <p>NOT TO SCALE</p>												
<p>⊕ LOWER PIPE BRACKET ATTACH.</p> <p>NOT TO SCALE</p>	<div style="display: flex; justify-content: space-between;"> <div data-bbox="1678 1693 2113 1854" style="width: 45%;"> <p>This drawing and all information contained herein is the property of NATIONAL RECREATION SYSTEMS, INC. and is not to be reproduced without express written permission of this manufacturer. We assume no responsibility for unauthorized use of this drawing. National Recreation Systems, Inc. is not responsible for local permits and occupancy requirements.</p> </div> <div data-bbox="2128 1673 2983 1905" style="width: 50%; border: 1px solid black; padding: 5px;"> <p style="text-align: center;"><b>National Recreation Systems, Inc.</b></p> <p style="text-align: center;">1300-D NORTH AIRPORT OFFICE PARK FORT WAYNE, IN 46825</p> <table border="1" style="width: 100%; border-collapse: collapse;"> <tr> <td style="width: 30%;">SCALE: N.T.S.</td> <td style="width: 30%;">APPROVED BY: CHUCK</td> <td style="width: 40%;">DRAWN BY: JML</td> </tr> <tr> <td>DATE: 07/11/2016</td> <td colspan="2"></td> </tr> <tr> <td colspan="3" style="text-align: center;">TITLE: DETAIL SHEETS</td> </tr> <tr> <td>BLEACHER MODEL #: NA-0515TPSTD/CL</td> <td colspan="2">DRAWING NUMBER: DS.1</td> </tr> </table> </div> </div>					SCALE: N.T.S.	APPROVED BY: CHUCK	DRAWN BY: JML	DATE: 07/11/2016			TITLE: DETAIL SHEETS			BLEACHER MODEL #: NA-0515TPSTD/CL	DRAWING NUMBER: DS.1	
SCALE: N.T.S.	APPROVED BY: CHUCK	DRAWN BY: JML															
DATE: 07/11/2016																	
TITLE: DETAIL SHEETS																	
BLEACHER MODEL #: NA-0515TPSTD/CL	DRAWING NUMBER: DS.1																