

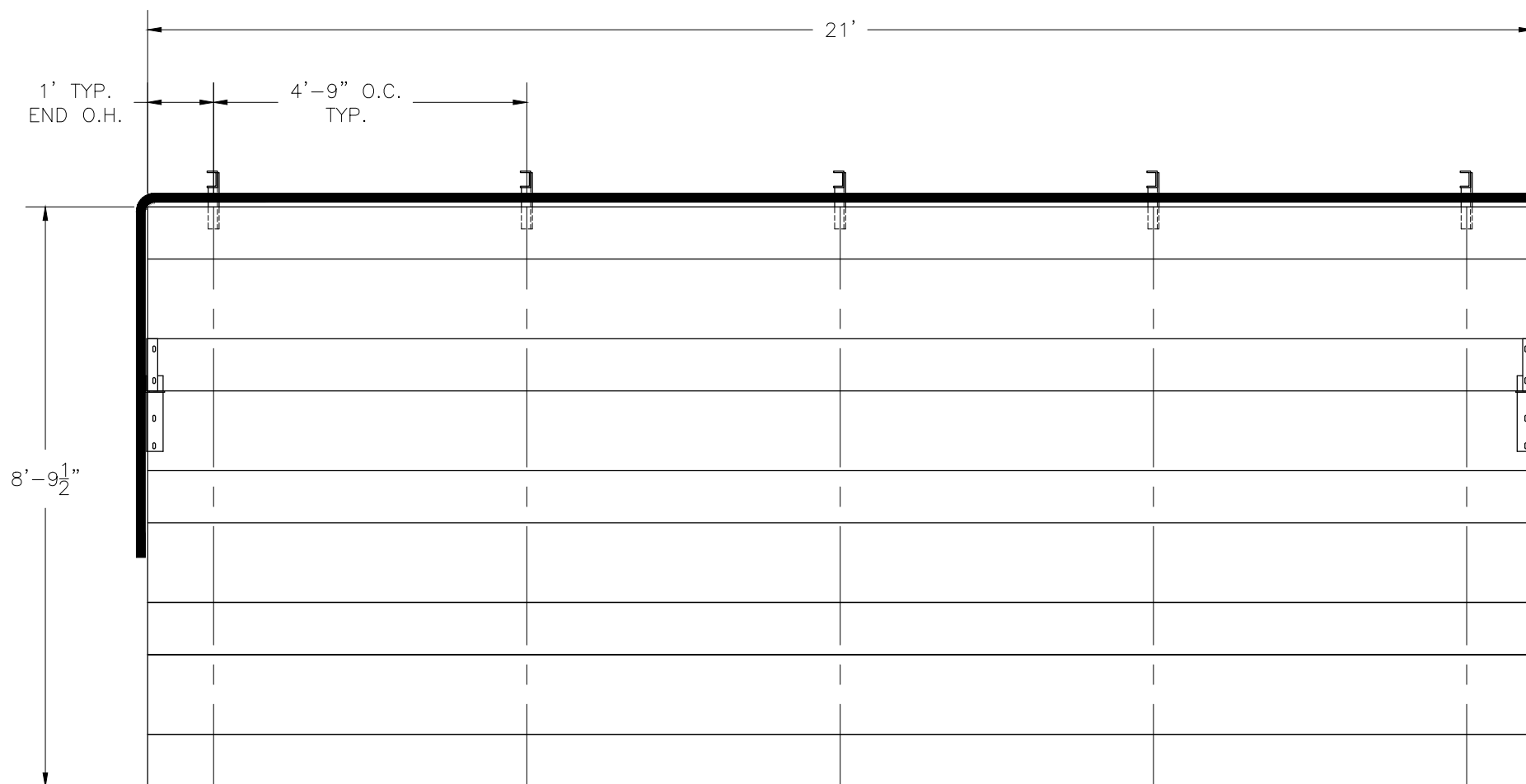
***NA-0521TPPRF\_CL***

***NON ELEVATED ALUMINUM 5 ROW x 21'-0" BLEACHER***

**National Recreation Systems, Inc.**

**5120 INVESTMENT DRIVE - FORT WAYNE, IN 46808**

CS.1	- COVER SHEET
TD.1	- BLEACHER SEATING PLAN
GS.1	- GROUND SILL PLAN
BA.1	- BLEACHER ASSEMBLY
PF.1	- PLANK & FRAMING PLAN
TA.1	- TRANSPORT KIT ASSEMBLY
TA.2	- TRANSPORT KIT ASSEMBLY
GR.1	- GUARDRAIL PRINT
DS.1	- DETAIL SHEET



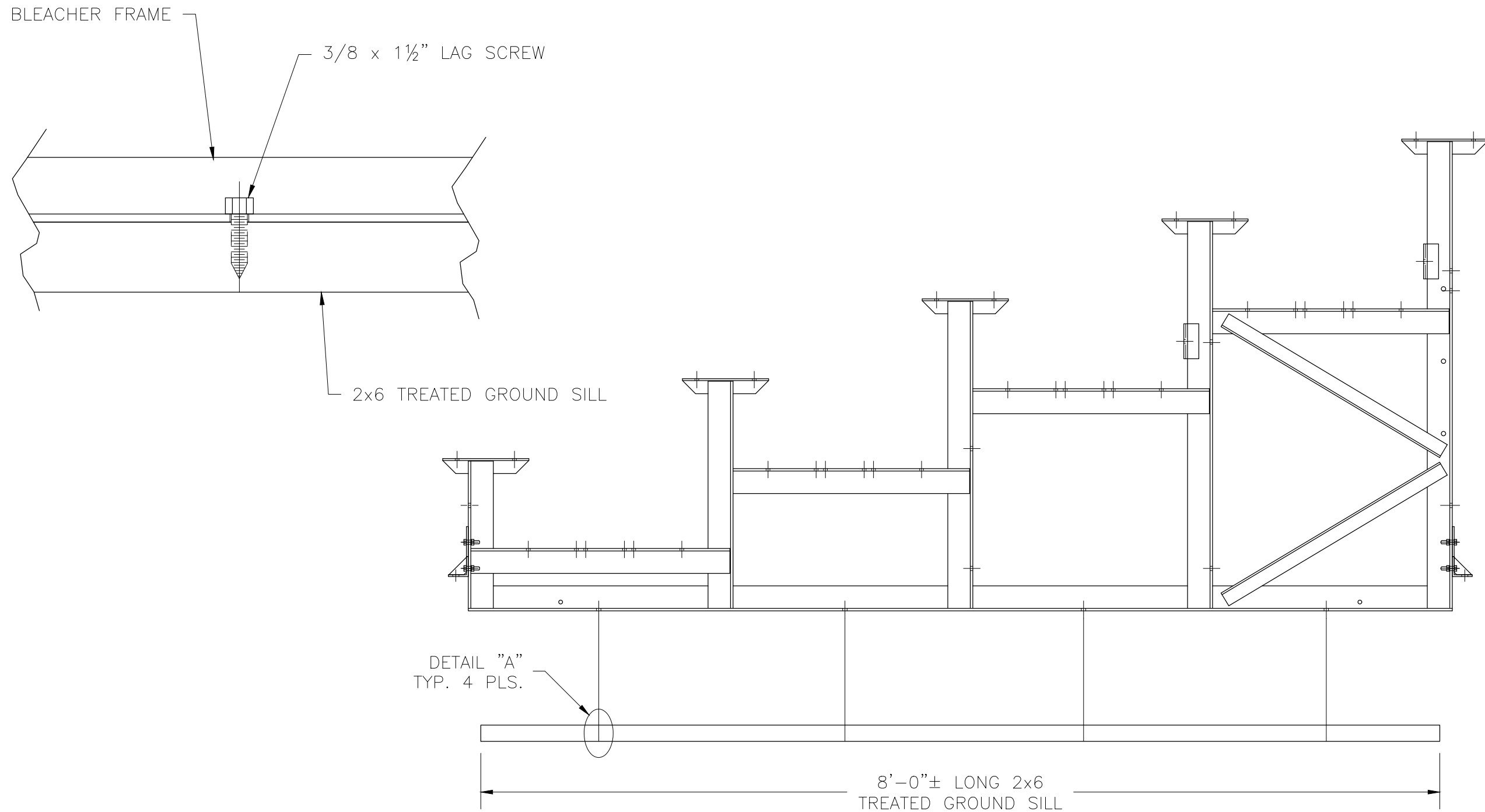
SECTION LENGTH	GROSS SEATS	ACTUAL SEATS	NO. OF ROWS	NET SEATS
21	14.00	14.00	5	70
			<b>NET SEATS</b>	<b>70</b>
			<b>WHEELCHAIR SPACES</b>	<b>0</b>
			<b>TOTAL NET SEATING CAPACITY</b>	<b>70</b>
			<b>(BASED ON 18" PER SEAT)</b>	

This drawing and all information contained herein is the property of NATIONAL RECREATION SYSTEMS, INC. and is not to be reproduced without express written permission of this manufacturer. We assume no responsibility for unauthorized use of this drawing. National Recreation Systems, Inc. is not responsible for local permits and occupancy requirements.

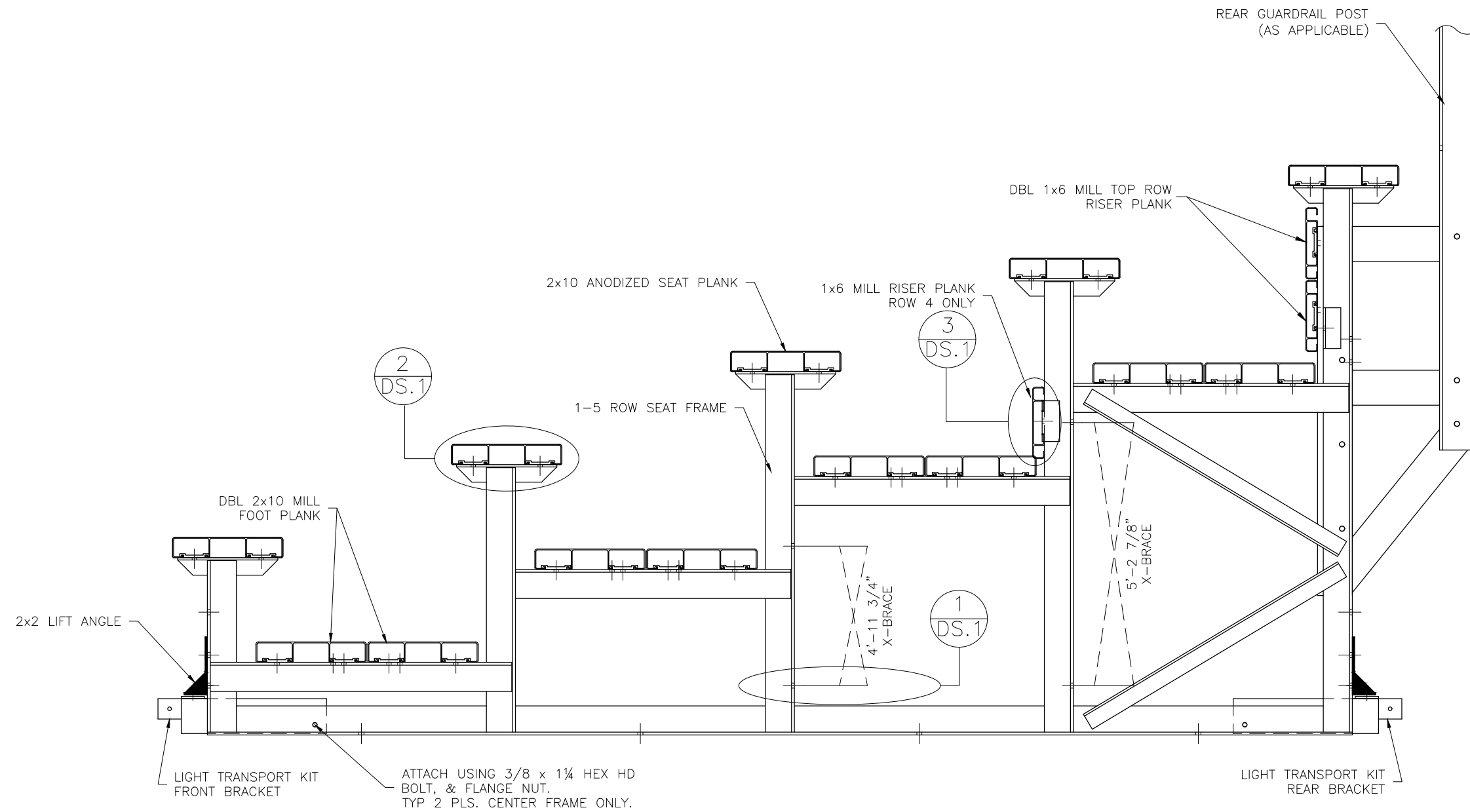
**National Recreation Systems, Inc.**  
**5120 INVESTMENT DRIVE - FORT WAYNE, IN 46808**

SCALE: N.T.S.	APPROVED BY:	DRAWN BY: JML
DATE: 4/8/15		
TITLE: NON ELEVATED 5 ROW x 21'-0" BLEACHER SEATING PLAN		
BLEACHER MODEL #: NA-0521TPPRF_CL	DRAWING NUMBER: TD.1	

**DETAIL 'A' - GROUND SILL ATTACHMENT**



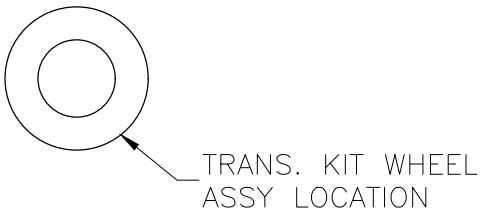
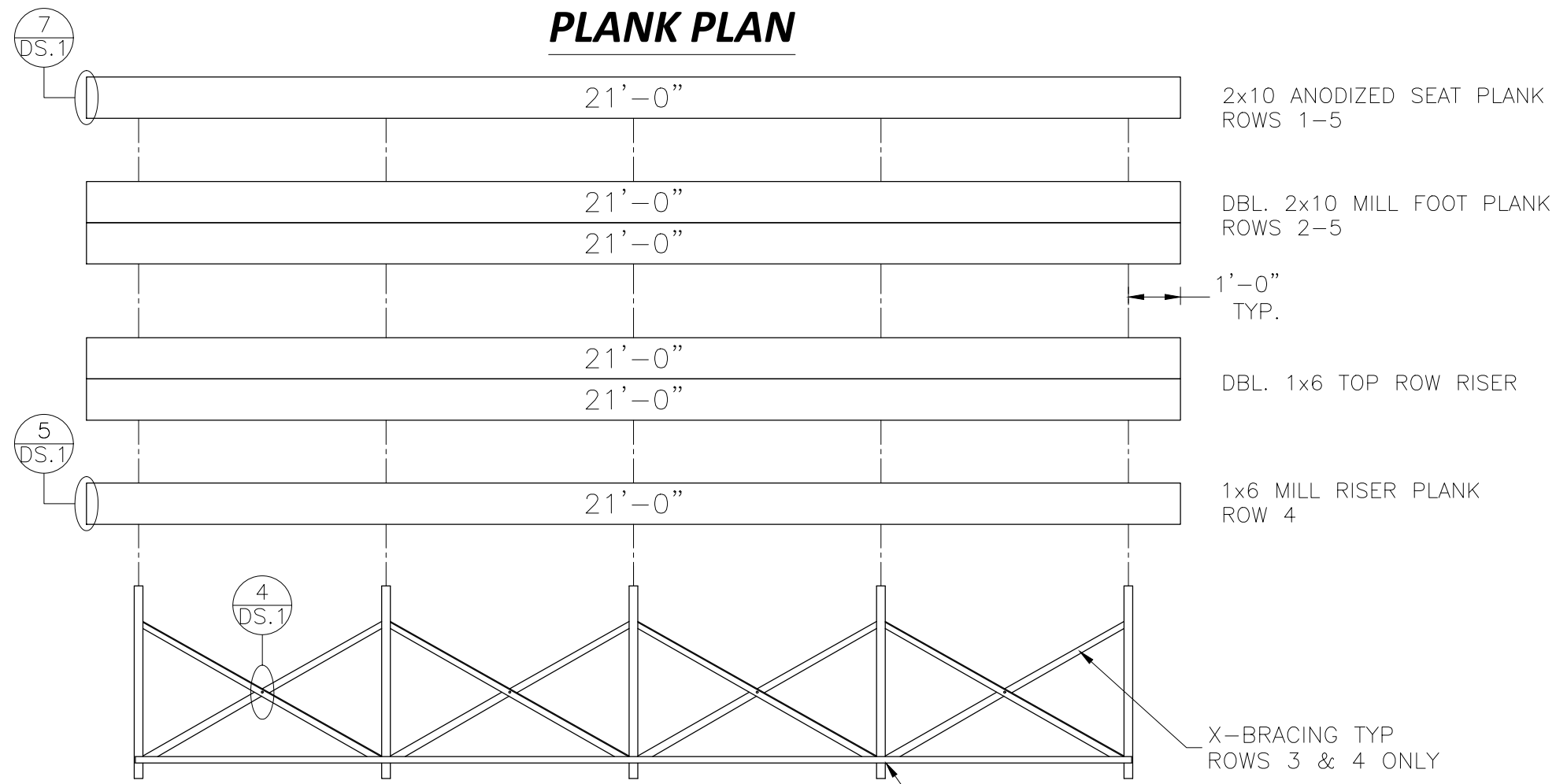
<p>This drawing and all information contained herein is the property of NATIONAL RECREATION SYSTEMS, INC. and is not to be reproduced without express written permission of this manufacturer. We assume no responsibility for unauthorized use of this drawing. National Recreation Systems, Inc. is not responsible for local permits and occupancy requirements.</p>			<p><b>National Recreation Systems, Inc.</b></p> <p>5120 INVESTMENT DRIVE - FORT WAYNE, IN 46808</p>	
			SCALE: N.T.S.	APPROVED BY:
DATE: 4/8/15		TITLE: NON ELEVATED 5 ROW x 21'-0" GROUND SILL PLAN		
BLEACHER MODEL #: NA-0521TPPRF_CL			DRAWING NUMBER: AP.1	



**SEE PRINT # DS.1  
FOR REFERENCED DETAILS**

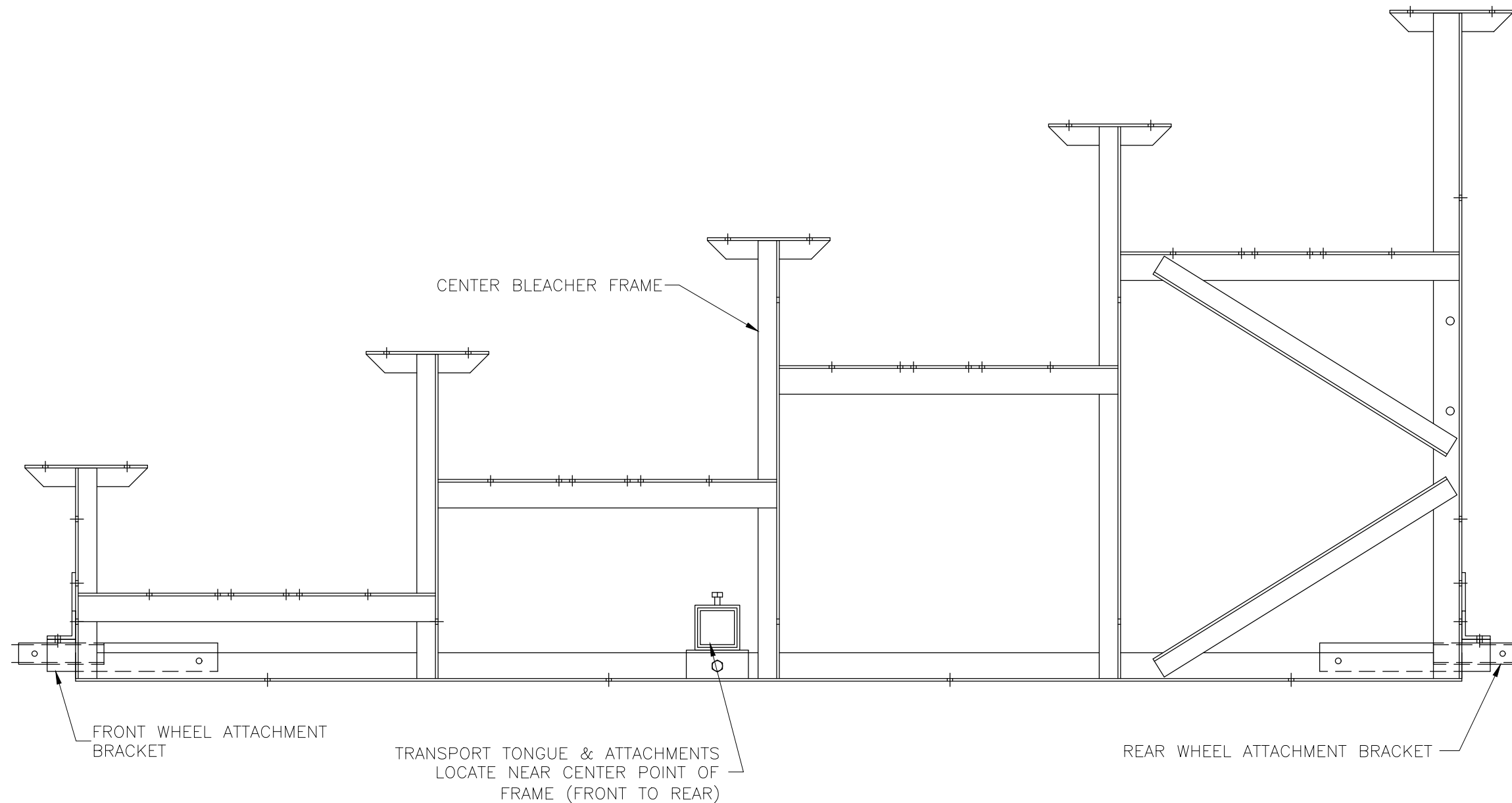
This drawing and all information contained herein is the property of NATIONAL RECREATION SYSTEMS, INC. and is not to be reproduced without express written permission of this manufacturer. We assume no responsibility for unauthorized use of this drawing. National Recreation Systems, Inc. is not responsible for local permits and occupancy requirements.

<b>National Recreation Systems, Inc.</b>		
5120 INVESTMENT DRIVE - FORT WAYNE, IN 46808		
SCALE: N.T.S.	APPROVED BY:	DRAWN BY: JML
DATE: 7/5/16		
TITLE: NON ELEVATED 5 ROW x 21'-0" BLEACHER ASSEMBLY		
BLEACHER MODEL #: NA-0521TPPRF_CL	DRAWING NUMBER: BA.1	

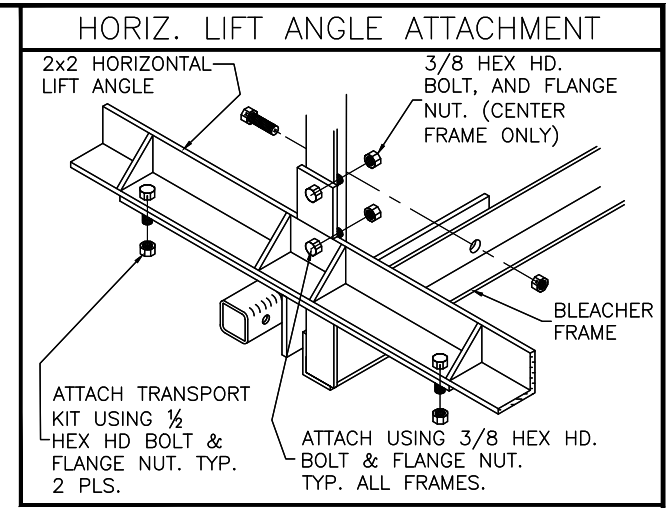
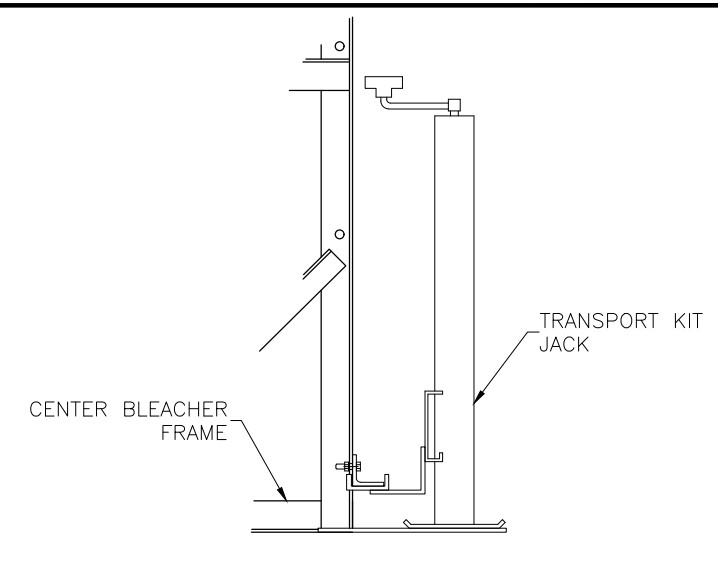
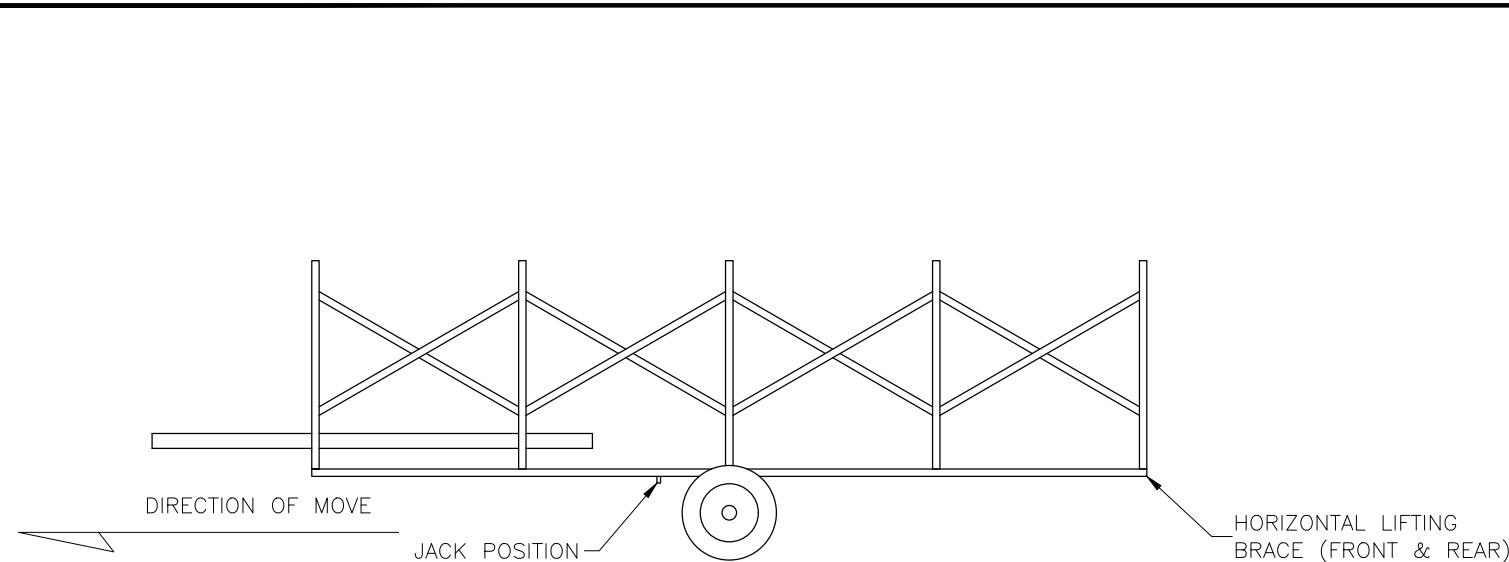


**SEE PRINT # DS.1  
FOR REFERENCED DETAILS**

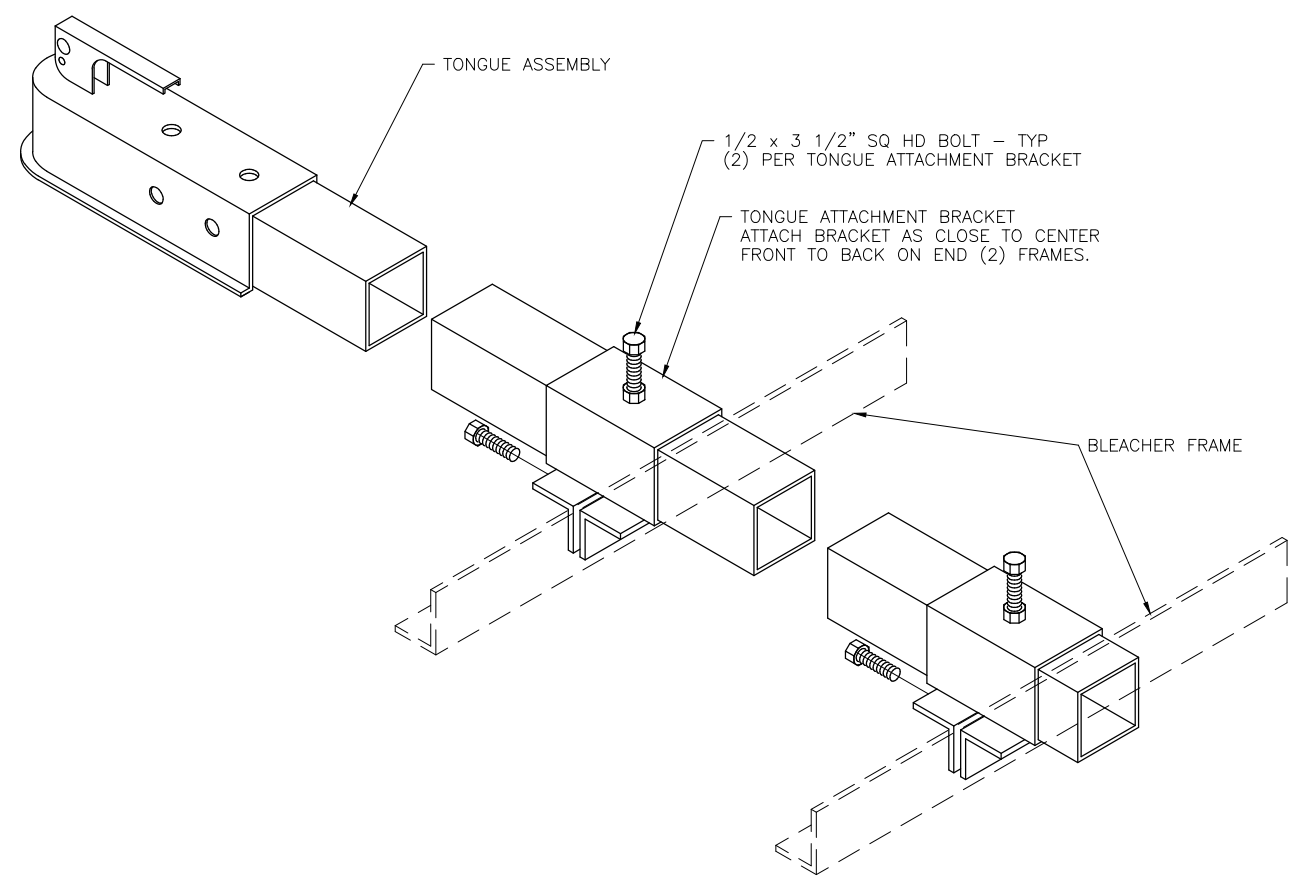
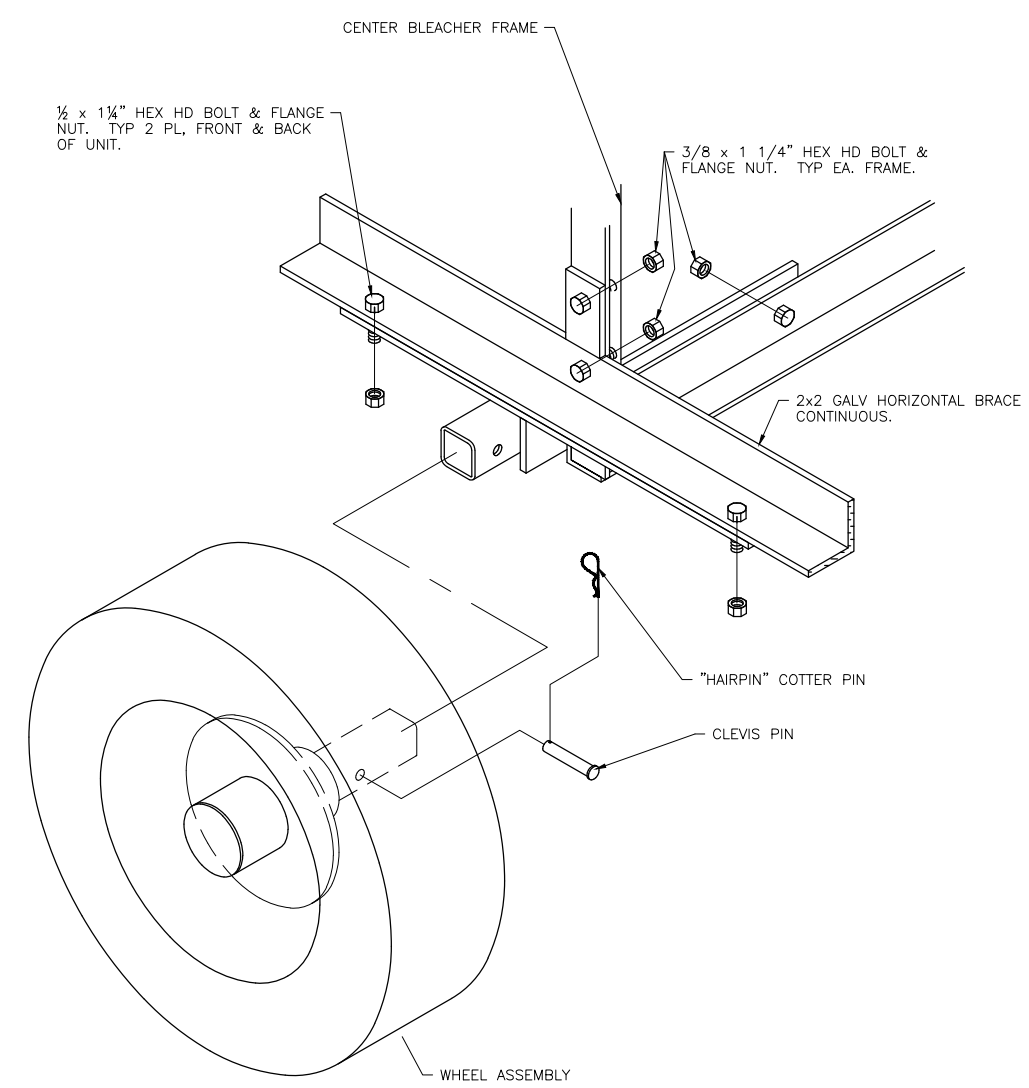
<p>This drawing and all information contained herein is the property of NATIONAL RECREATION SYSTEMS, INC. and is not to be reproduced without express written permission of this manufacturer. We assume no responsibility for unauthorized use of this drawing. National Recreation Systems, Inc. is not responsible for local permits and occupancy requirements.</p>			<p><b>National Recreation Systems, Inc.</b> 5120 INVESTMENT DRIVE - FORT WAYNE, IN 46808</p>		
SCALE: N.T.S.	APPROVED BY:	DRAWN BY: JML			
DATE: 4/8/15					
TITLE: NON ELEVATED 5 ROW x 21'-0" PLANK & FRAMING PLAN			DRAWING NUMBER: PF.1		
BLEACHER MODEL #: NA-0521TPPRF_CL					



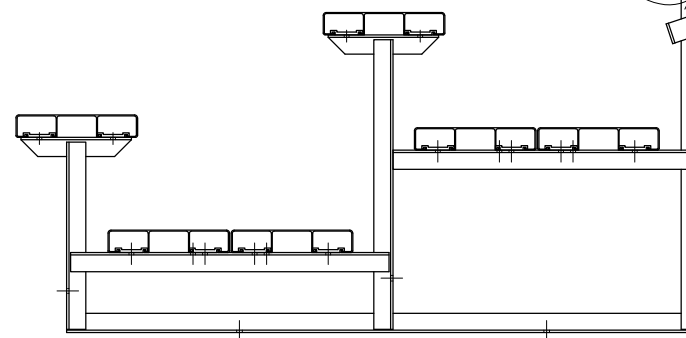
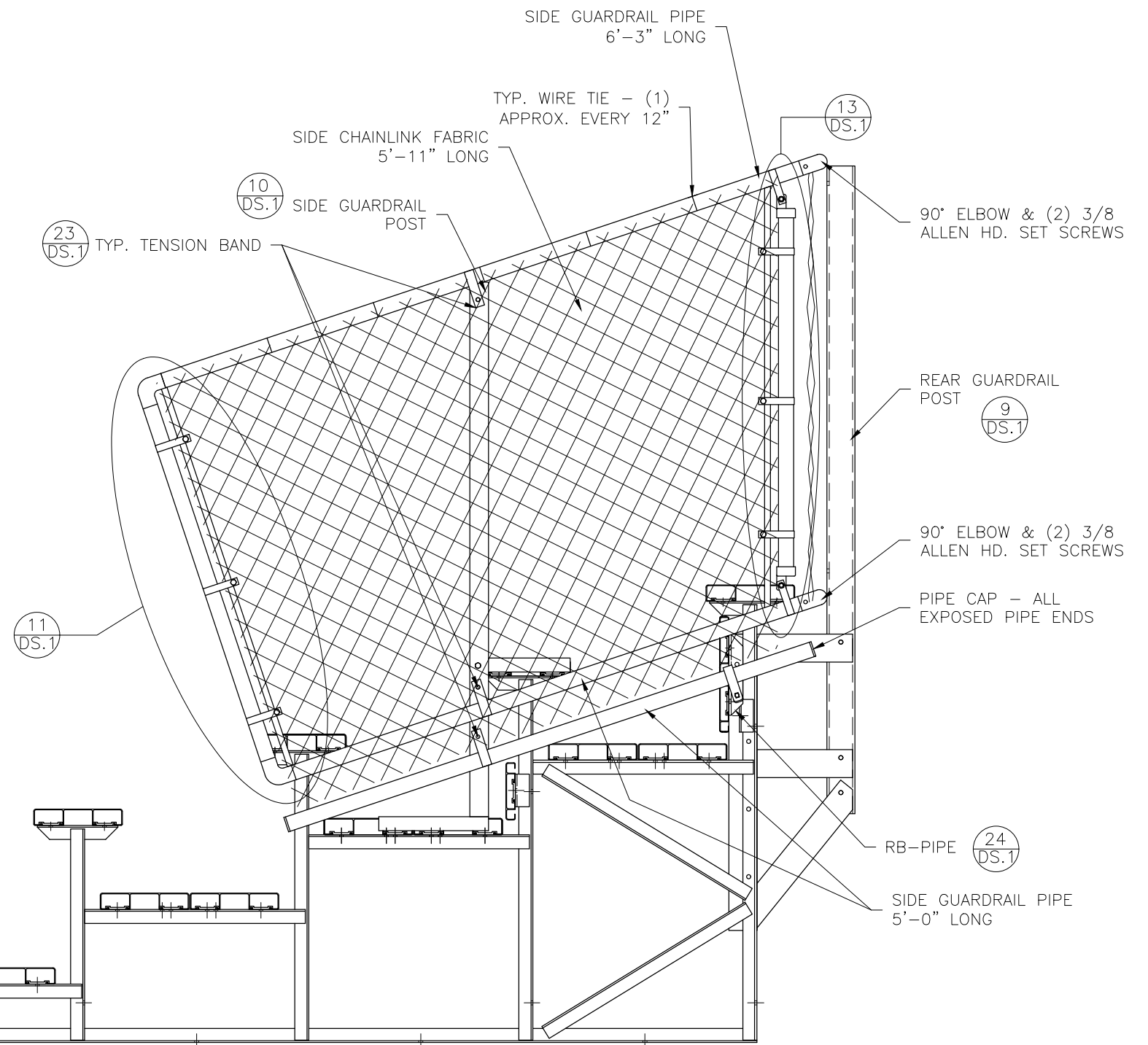
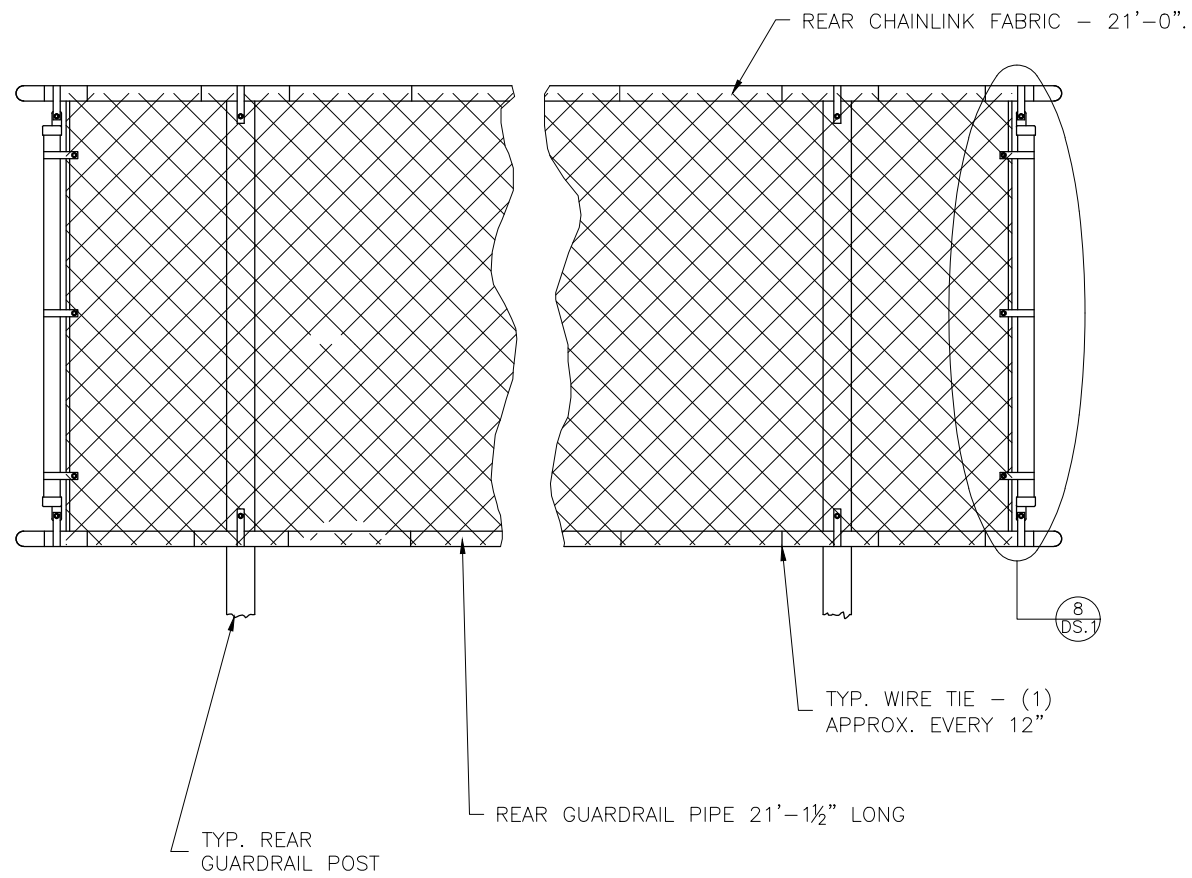
<p>This drawing and all information contained herein is the property of NATIONAL RECREATION SYSTEMS, INC. and is not to be reproduced without express written permission of this manufacturer. We assume no responsibility for unauthorized use of this drawing. National Recreation Systems, Inc. is not responsible for local permits and occupancy requirements.</p>			<p><b>National Recreation Systems, Inc.</b>  <b>5120 INVESTMENT DRIVE - FORT WAYNE, IN 46808</b></p>		
SCALE:	N.T.S.	APPROVED BY:	DRAWN BY: JML		
DATE:	4/8/15				
TITLE:	NON ELEVATED 5 ROW x 21'-0" TRANSP. KIT ASSEMBLY				
BLEACHER MODEL #:	NA-0521TPPRF_CL	DRAWING NUMBER:			TA.1



PLACE JACK ON UNDER SIDE OF HORIZONTAL BRACE APPROX. 14"-18" AWAY FROM CENTER FRAME, AS SHOWN. BLEACHER SHOULD ALWAYS BE ON SOLID, LEVEL GROUND, AND BE STABILIZED TO PREVENT MOVEMENT WHEN USING JACK.



<p>This drawing and all information contained herein is the property of NATIONAL RECREATION SYSTEMS, INC. and is not to be reproduced without express written permission of this manufacturer. We assume no responsibility for unauthorized use of this drawing. National Recreation Systems, Inc. is not responsible for local permits and occupancy requirements.</p>		
<p><b>National Recreation Systems, Inc.</b> 5120 INVESTMENT DRIVE - FORT WAYNE, IN 46808</p>		
SCALE: N.T.S.	APPROVED BY:	DRAWN BY: JML
DATE: 4/8/15		
TITLE: NON ELEVATED 5 ROW x 21'-0" TRANSP. KIT ASSEMBLY		
BLEACHER MODEL #: NA-0521TPPRF_CL	DRAWING NUMBER: TA.2	



**SEE PRINT # DS.1  
FOR REFERENCED DETAILS**

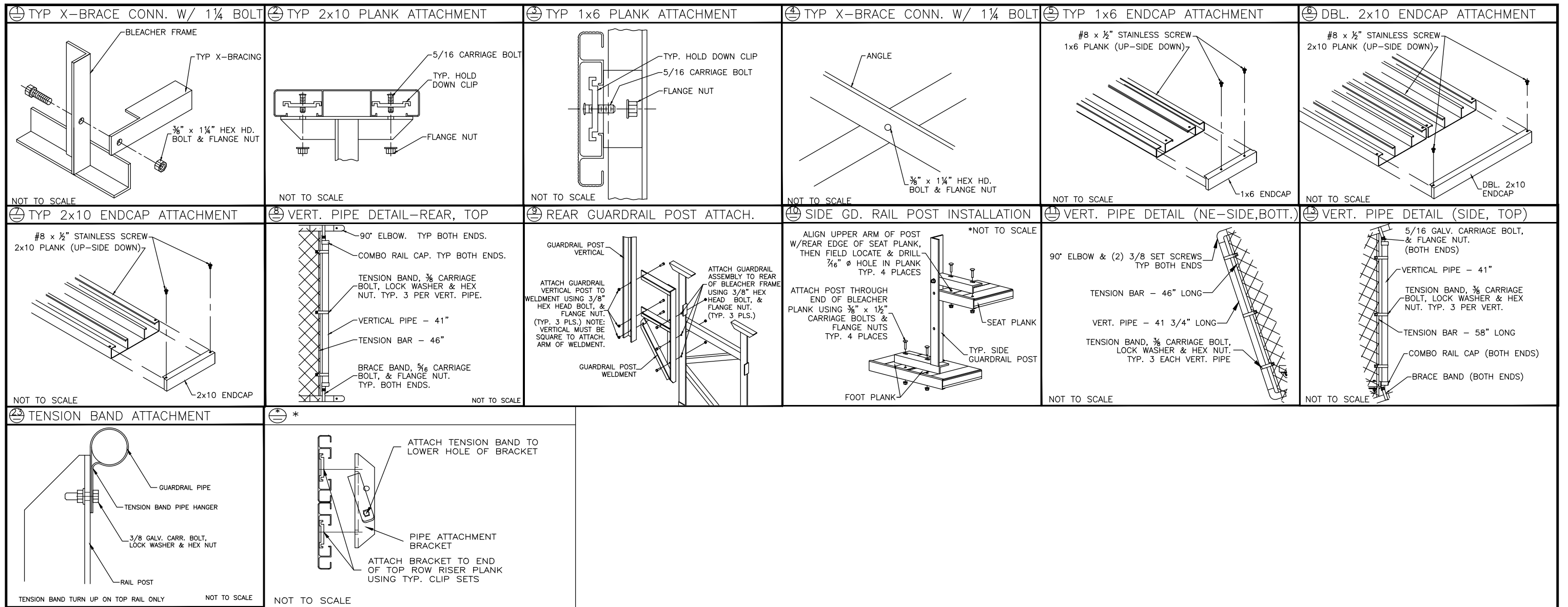
This drawing and all information contained herein is the property of NATIONAL RECREATION SYSTEMS, INC. and is not to be reproduced without express written permission of this manufacturer. We assume no responsibility for unauthorized use of this drawing. National Recreation Systems, Inc. is not responsible for local permits and occupancy requirements.

**National Recreation Systems, Inc.**

5120 INVESTMENT DRIVE - FORT WAYNE, IN 46808

SCALE: N.T.S.	APPROVED BY: CK	DRAWN BY: JML
DATE: 4/8/15		
TITLE: NON ELEV ALUM 5 ROW x 21'-0" GUARD RAIL ASSEMBLY		
BLEACHER MODEL #: NA-0521TPPRF_CL	DRAWING NUMBER: GR.1	





<p>This drawing and all information contained herein is the property of NATIONAL RECREATION SYSTEMS, INC. and is not to be reproduced without express written permission of this manufacturer. We assume no responsibility for unauthorized use of this drawing. National Recreation Systems, Inc. is not responsible for local permits and occupancy requirements.</p>		<p><b>National Recreation Systems, Inc.</b> 5120 INVESTMENT DRIVE - FORT WAYNE, IN 46808</p>	
<p>SCALE: N.T.S. DATE: 4/8/15</p>	<p>APPROVED BY:</p>	<p>DRAWN BY: JML</p>	
<p>TITLE: DETAIL SHEETS</p>		<p>DRAWING NUMBER:</p>	
<p>BLEACHER MODEL #: NA-0521TPPRF_CL</p>		<p>DS.1</p>	