

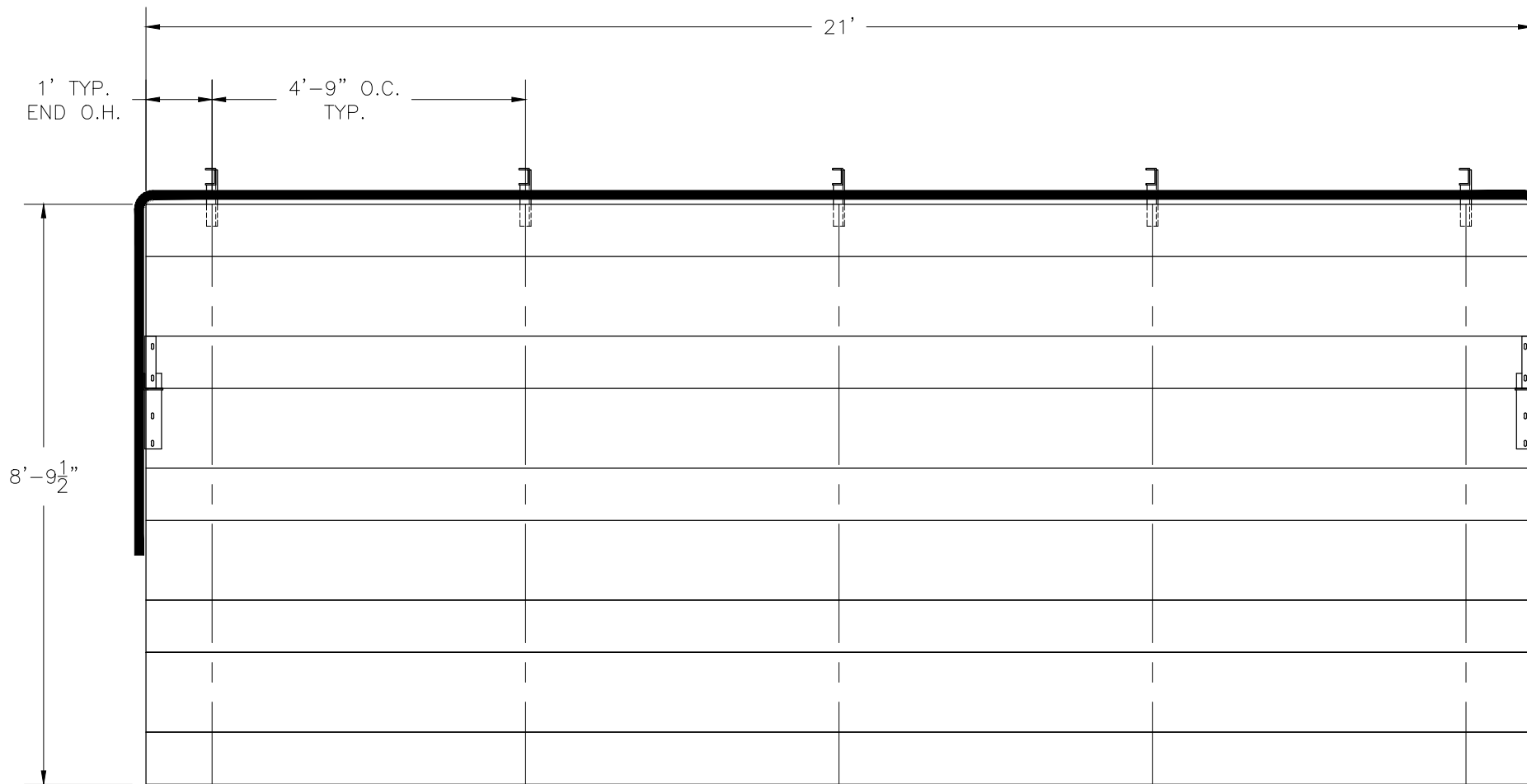
NA-0521TPSTD/CLL

NON ELEVATED ALUMINUM 5 ROW x 21'-0" BLEACHER

National Recreation Systems, Inc.

5120 INVESTMENT DRIVE - FORT WAYNE, IN 46808

CS.1	- COVER SHEET
TD.1	- BLEACHER SEATING PLAN
GS.1	- GROUND SILL PLAN
BA.1	- BLEACHER ASSEMBLY
PF.1	- PLANK & FRAMING PLAN
TA.1	- TRANSPORT KIT ASSEMBLY
TA.2	- TRANSPORT KIT ASSEMBLY
GR.1	- GUARDRAIL PRINT
DS.1	- DETAIL SHEET



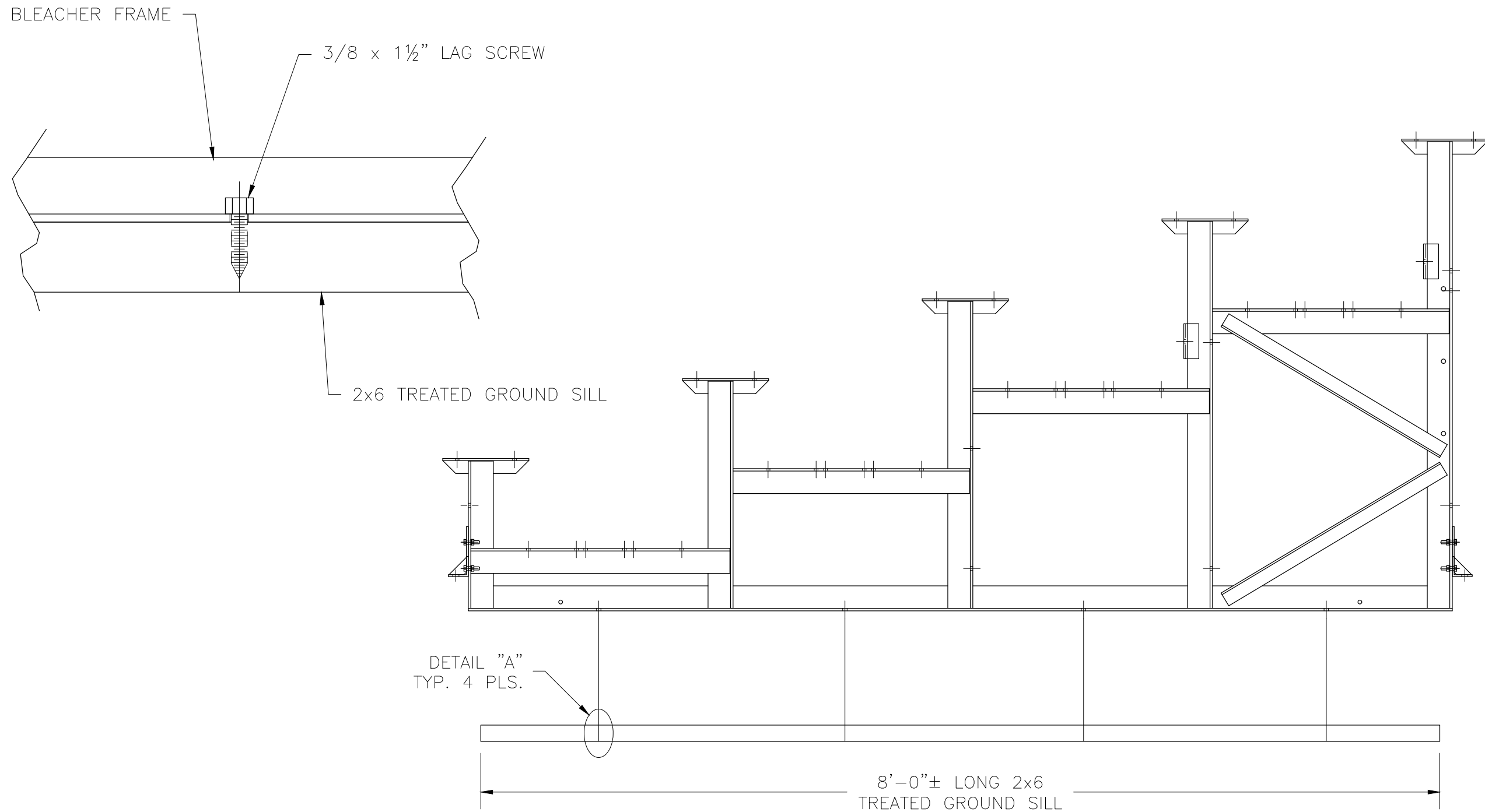
SECTION LENGTH	GROSS SEATS	ACTUAL SEATS	NO. OF ROWS	NET SEATS
21	14.00	14.00	5	70
NET SEATS				70
WHEELCHAIR SPACES				0
TOTAL NET SEATING CAPACITY (BASED ON 18" PER SEAT)				70

This drawing and all information contained herein is the property of NATIONAL RECREATION SYSTEMS, INC. and is not to be reproduced without express written permission of this manufacturer. We assume no responsibility for unauthorized use of this drawing. National Recreation Systems, Inc. is not responsible for local permits and occupancy requirements.

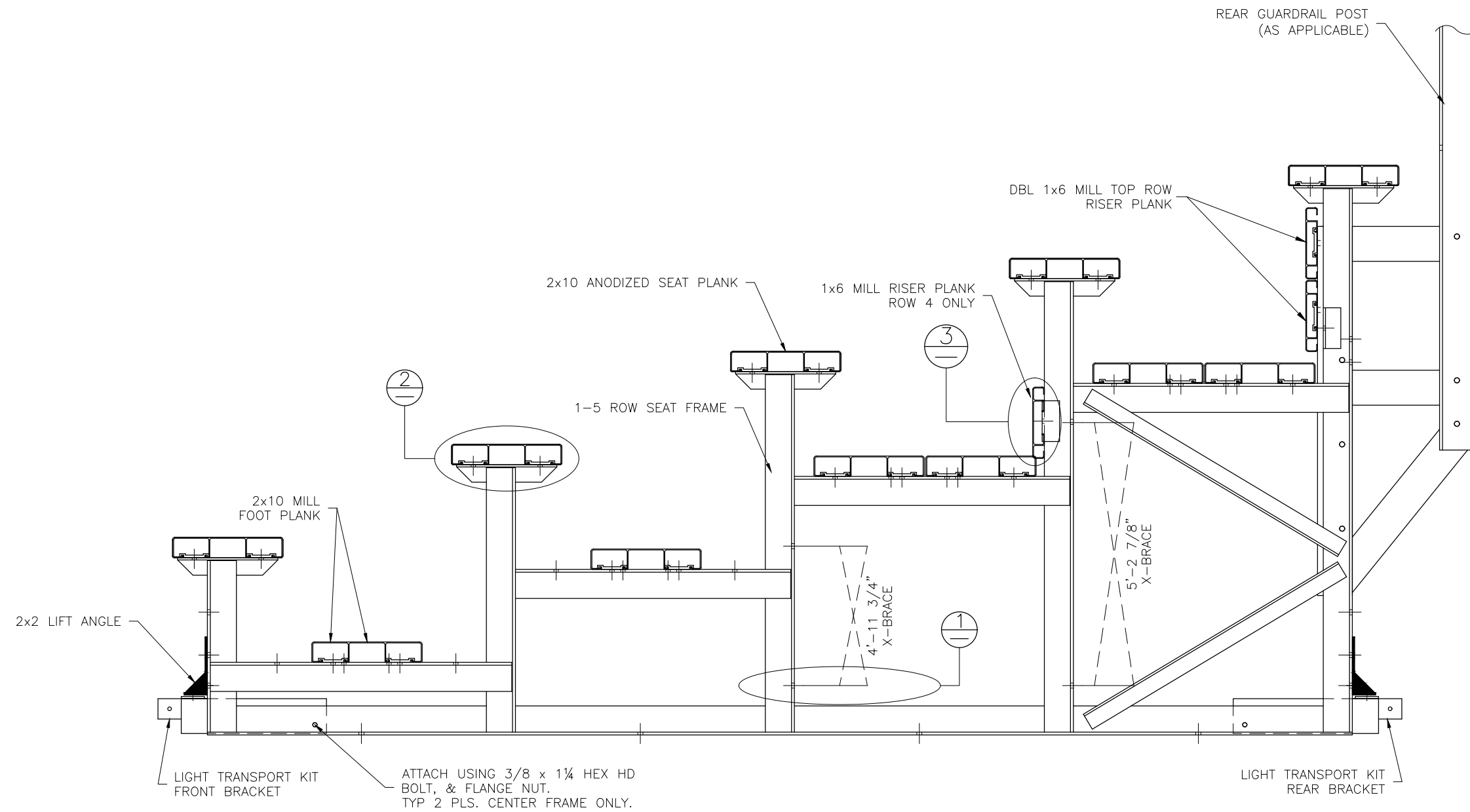
National Recreation Systems, Inc.
5120 INVESTMENT DRIVE - FORT WAYNE, IN 46808

SCALE: N.T.S.	APPROVED BY:	DRAWN BY: HG
DATE: 4/8/15		
TITLE: NON ELEVATED 5 ROW x 21'-0" BLEACHER SEATING PLAN		
BLEACHER MODEL #: NA-0521TPSTD/CL	DRAWING NUMBER: TD.1	

DETAIL 'A' - GROUND SILL ATTACHMENT



<p>This drawing and all information contained herein is the property of NATIONAL RECREATION SYSTEMS, INC. and is not to be reproduced without express written permission of this manufacturer. We assume no responsibility for unauthorized use of this drawing. National Recreation Systems, Inc. is not responsible for local permits and occupancy requirements.</p>			<p>National Recreation Systems, Inc. 5120 INVESTMENT DRIVE - FORT WAYNE, IN 46808</p>		
SCALE:	N.T.S.	APPROVED BY:	DRAWN BY: HG		
DATE:	4/8/15				
TITLE:	NON ELEVATED 5 ROW x 21'-0" GROUND SILL PLAN				
BLEACHER MODEL #:	NA-0521TPSTD/CL	DRAWING NUMBER:			AP.1

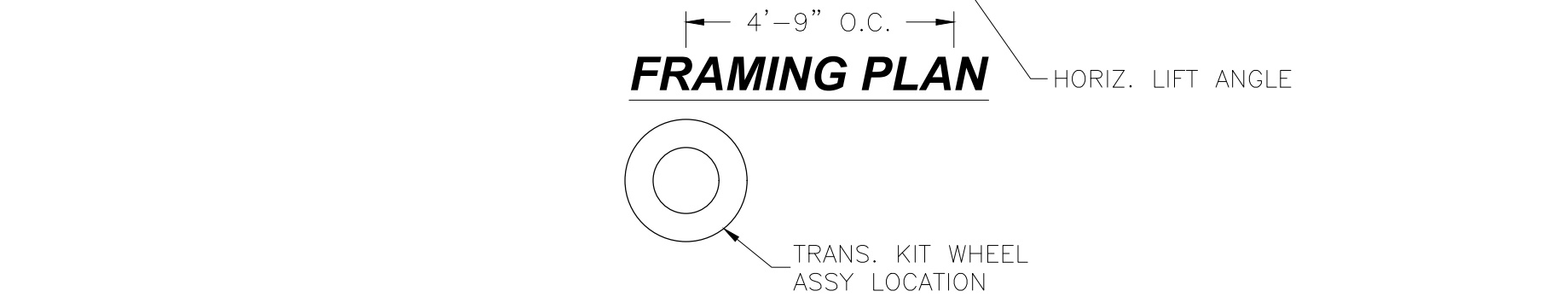
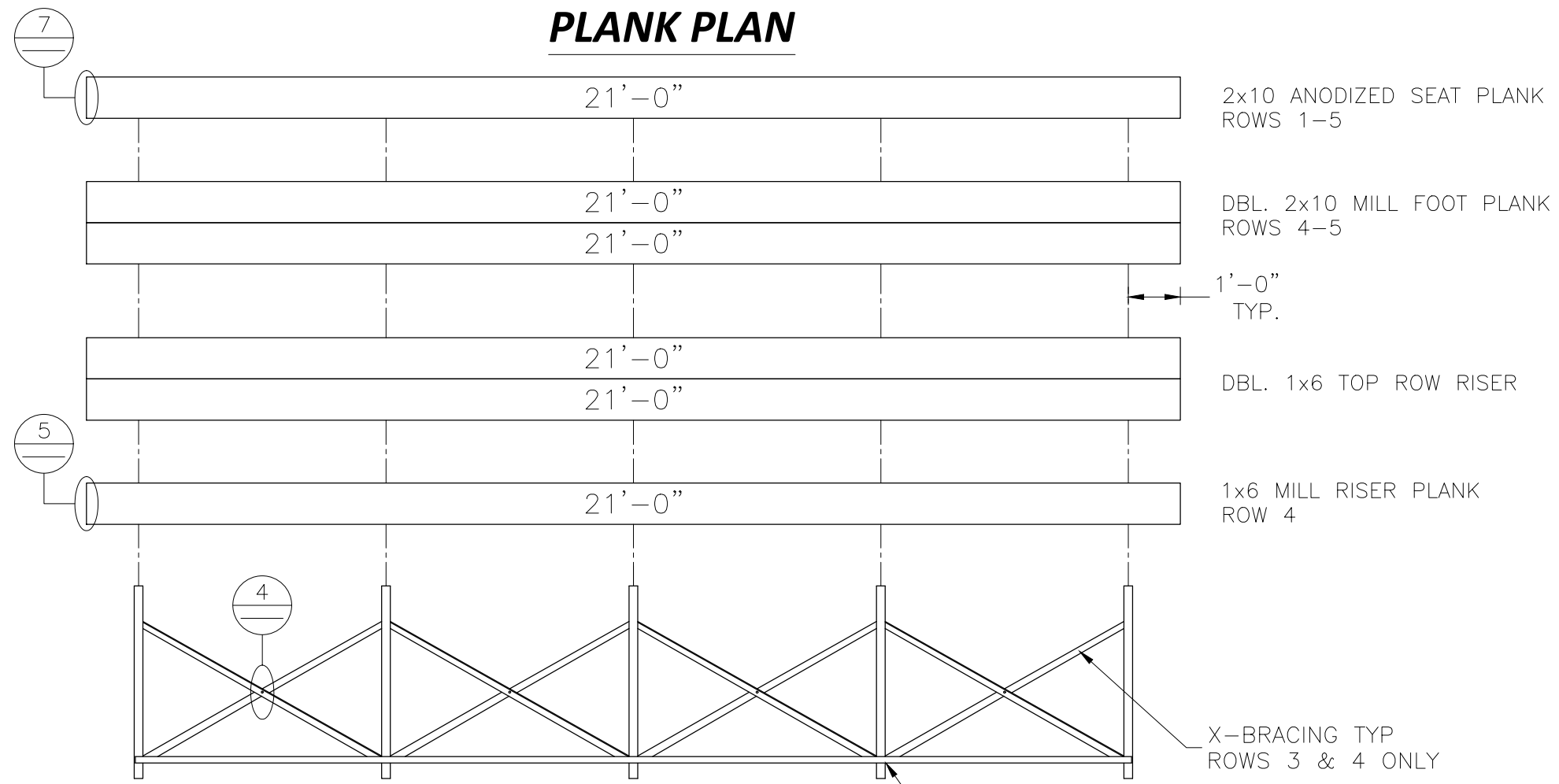


ATTACH USING 3/8 x 1 1/4 HEX HD BOLT, & FLANGE NUT. TYP 2 PLS. CENTER FRAME ONLY.

**SEE PRINT # DS.1
FOR REFERENCED DETAILS**

This drawing and all information contained herein is the property of NATIONAL RECREATION SYSTEMS, INC. and is not to be reproduced without express written permission of this manufacturer. We assume no responsibility for unauthorized use of this drawing. National Recreation Systems, Inc. is not responsible for local permits and occupancy requirements.

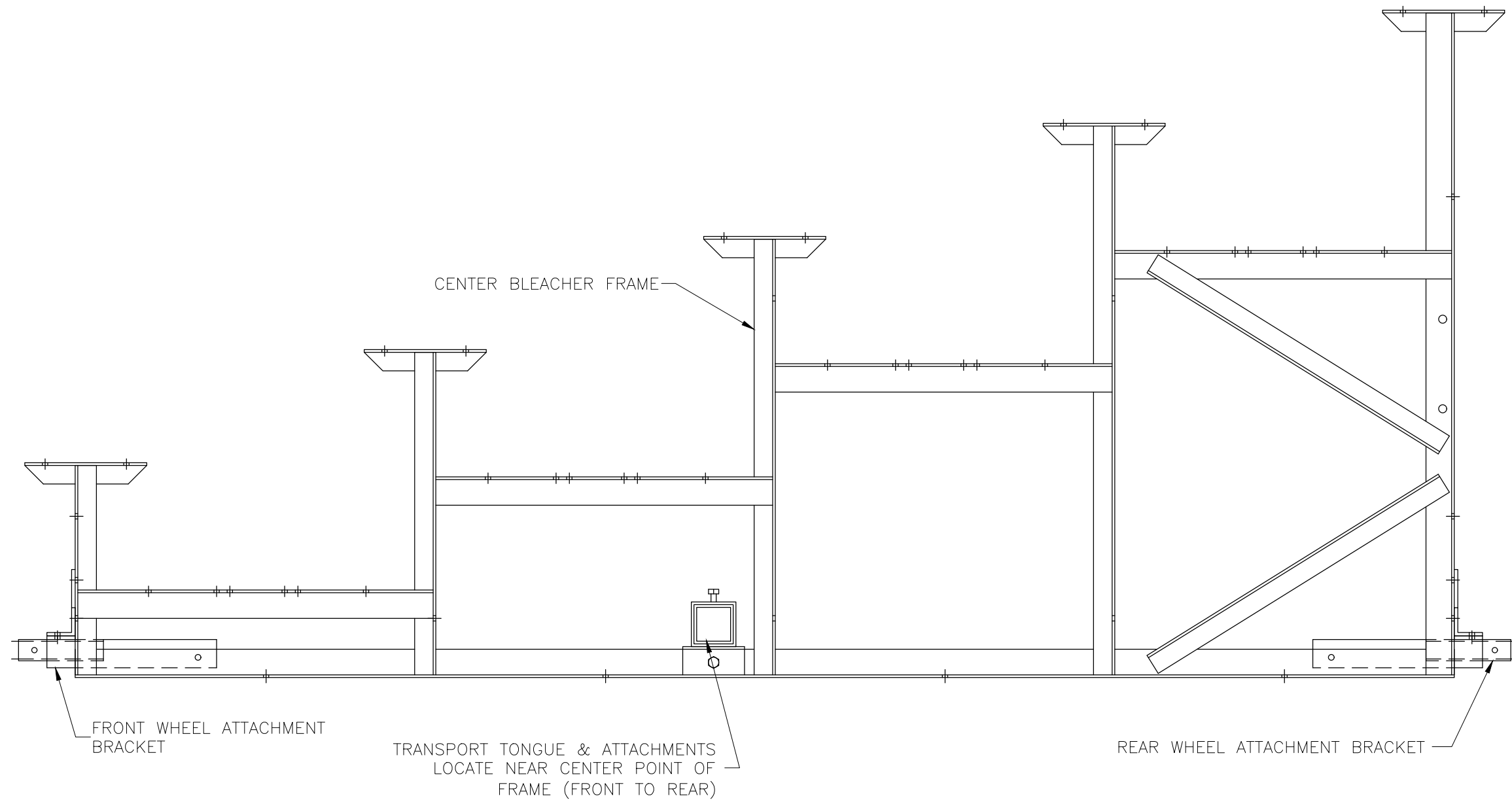
National Recreation Systems, Inc.		
5120 INVESTMENT DRIVE - FORT WAYNE, IN 46808		
SCALE: N.T.S.	APPROVED BY:	DRAWN BY: HG
DATE: 4/15/16		
TITLE: NON ELEVATED 5 ROW x 21'-0" BLEACHER ASSEMBLY		
BLEACHER MODEL #: NA-0521TPSTD/CL	DRAWING NUMBER: BA.1	



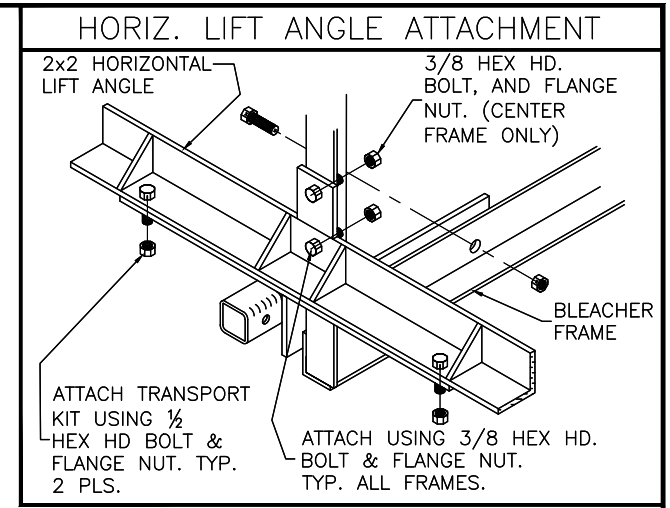
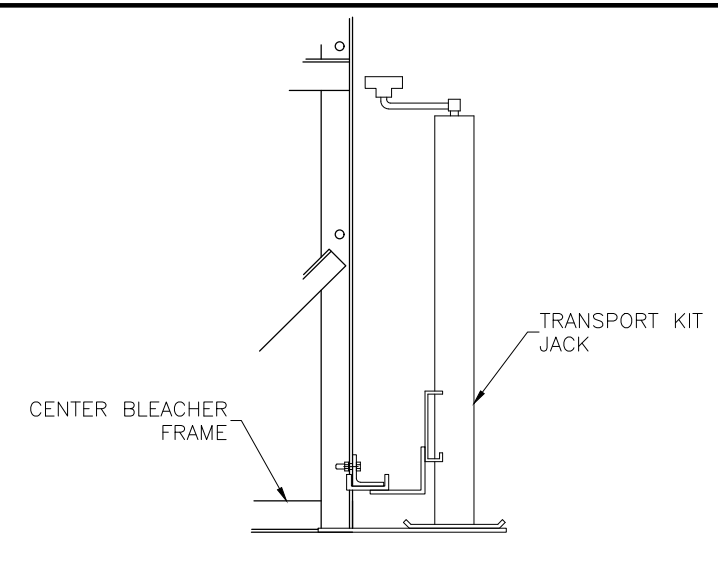
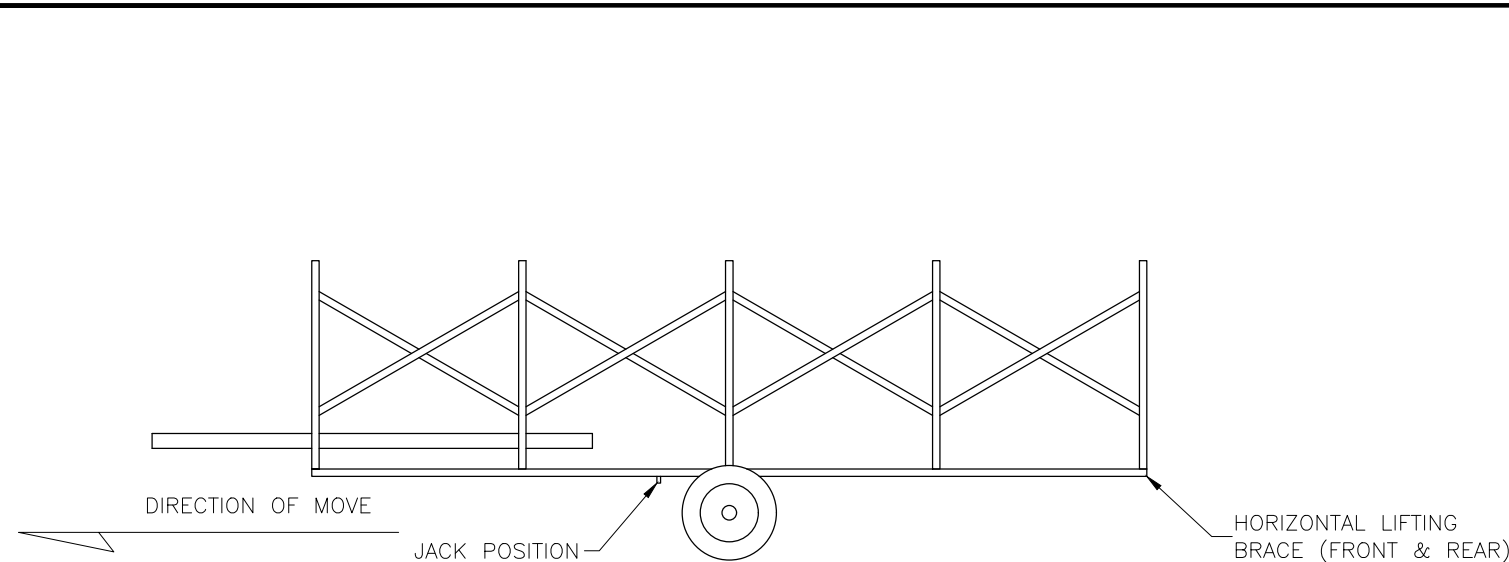
**SEE PRINT # DS.1
FOR REFERENCED DETAILS**

This drawing and all information contained herein is the property of NATIONAL RECREATION SYSTEMS, INC. and is not to be reproduced without express written permission of this manufacturer. We assume no responsibility for unauthorized use of this drawing. National Recreation Systems, Inc. is not responsible for local permits and occupancy requirements.

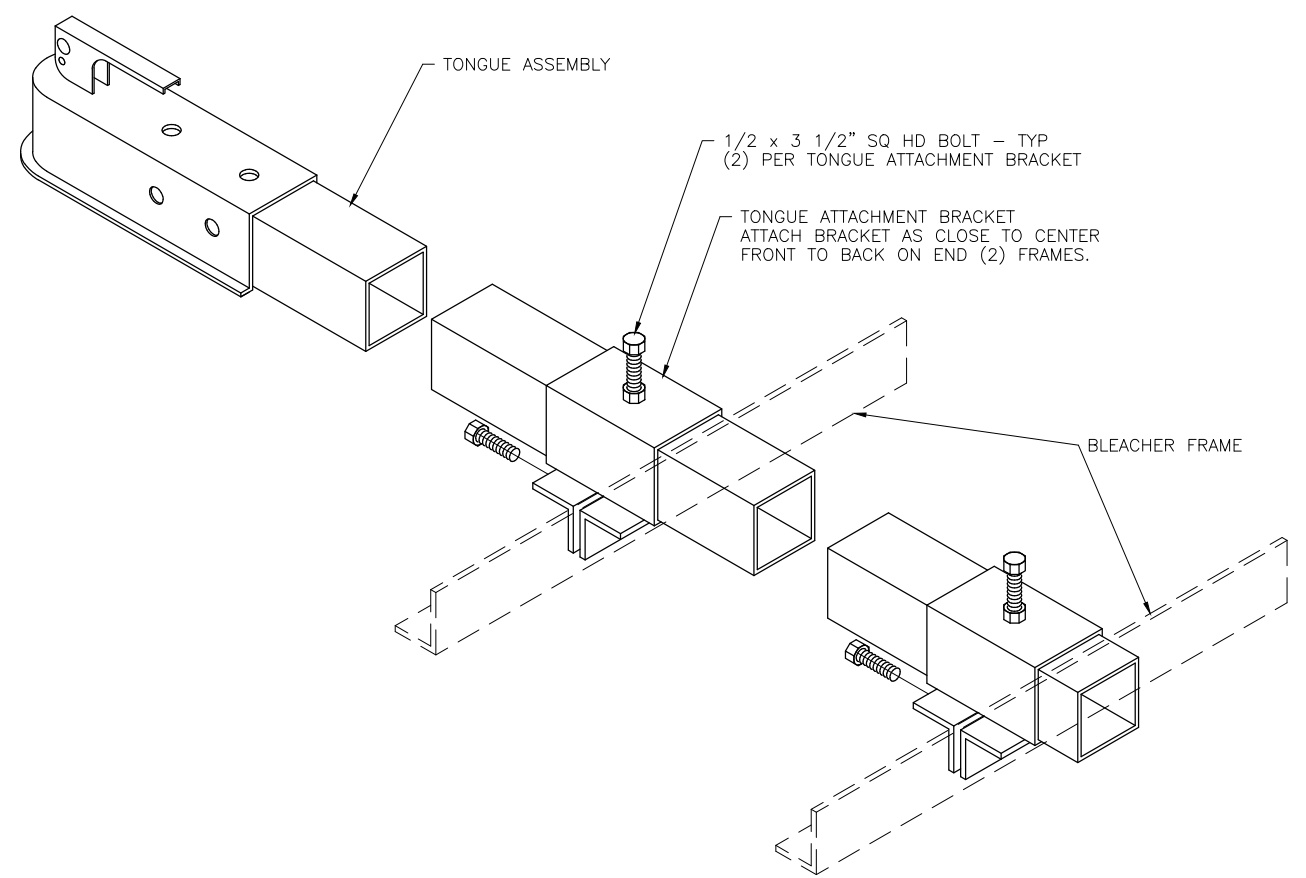
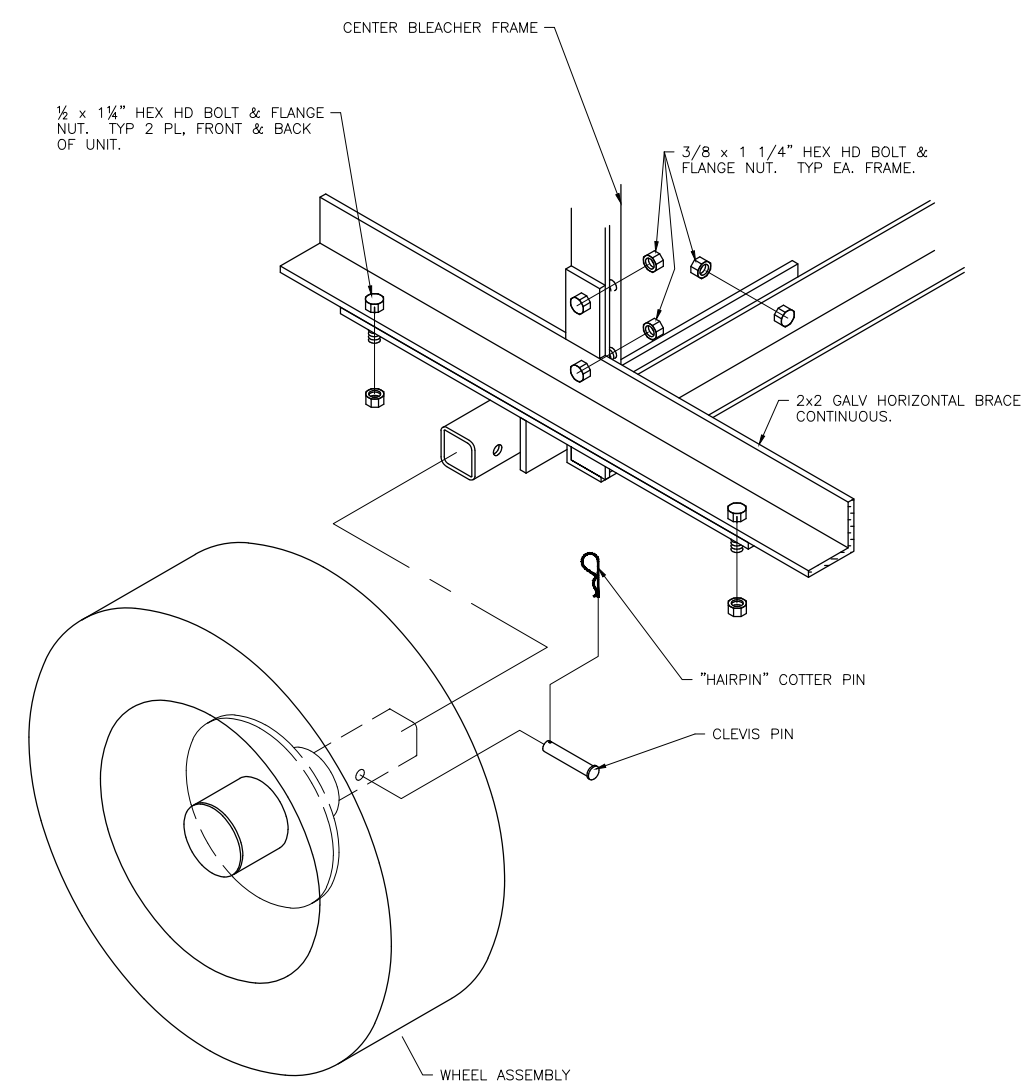
National Recreation Systems, Inc.		
5120 INVESTMENT DRIVE - FORT WAYNE, IN 46808		
SCALE: N.T.S.	APPROVED BY:	DRAWN BY: HG
DATE: 4/8/15		
TITLE: NON ELEVATED 5 ROW x 21'-0" PLANK & FRAMING PLAN		
BLEACHER MODEL #: NA-0521TPSTD/CL	DRAWING NUMBER: PF.1	



This drawing and all information contained herein is the property of NATIONAL RECREATION SYSTEMS, INC. and is not to be reproduced without express written permission of this manufacturer. We assume no responsibility for unauthorized use of this drawing. National Recreation Systems, Inc. is not responsible for local permits and occupancy requirements.			National Recreation Systems, Inc.	
			5120 INVESTMENT DRIVE - FORT WAYNE, IN 46808	
SCALE: N.T.S.	APPROVED BY:	DRAWN BY: HG		
DATE: 4/8/15				
TITLE: NON ELEVATED 5 ROW x 21'-0" TRANSP. KIT ASSEMBLY				
BLEACHER MODEL #: NA-0521TPSTD/CL			DRAWING NUMBER: TA.1	



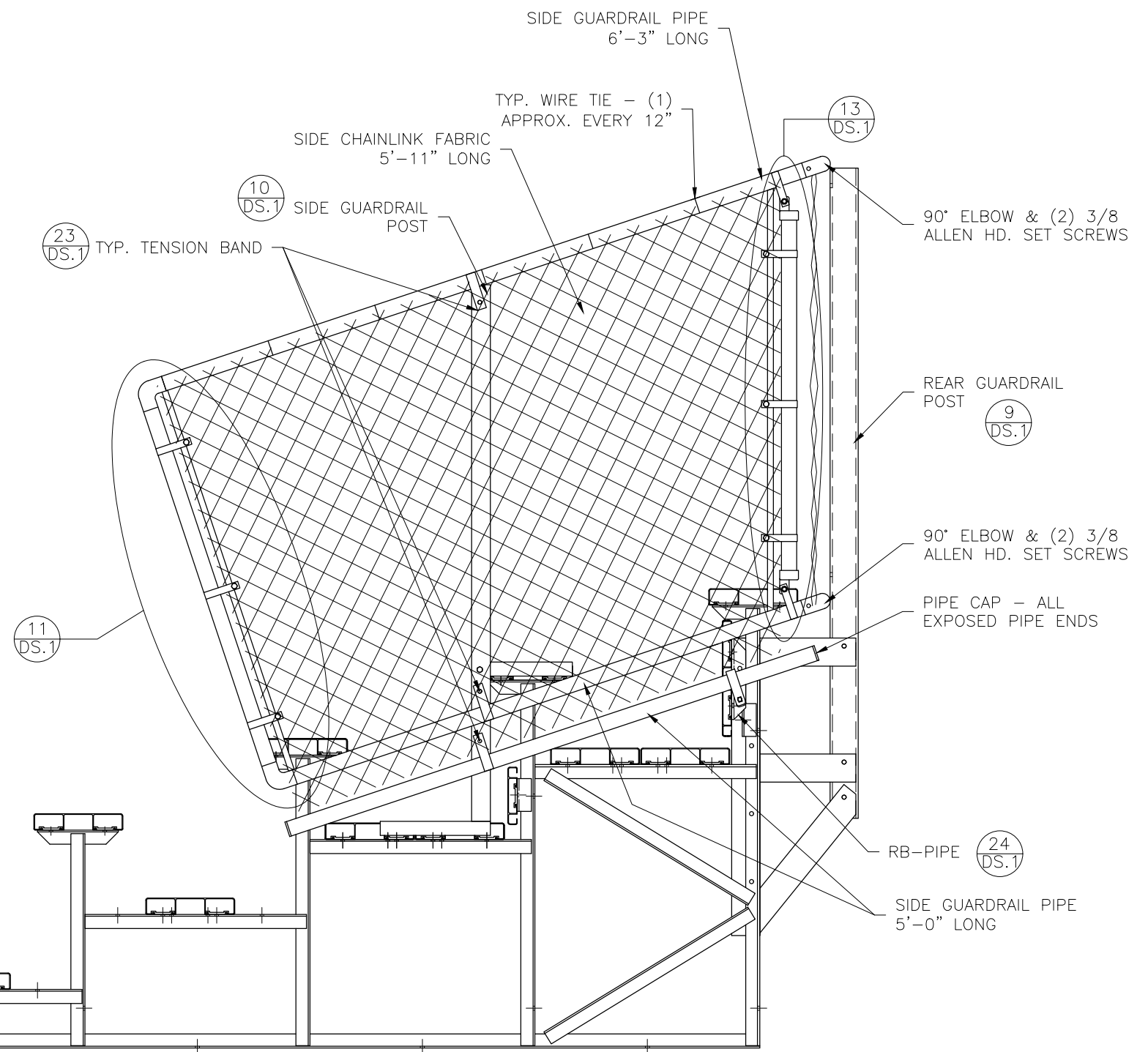
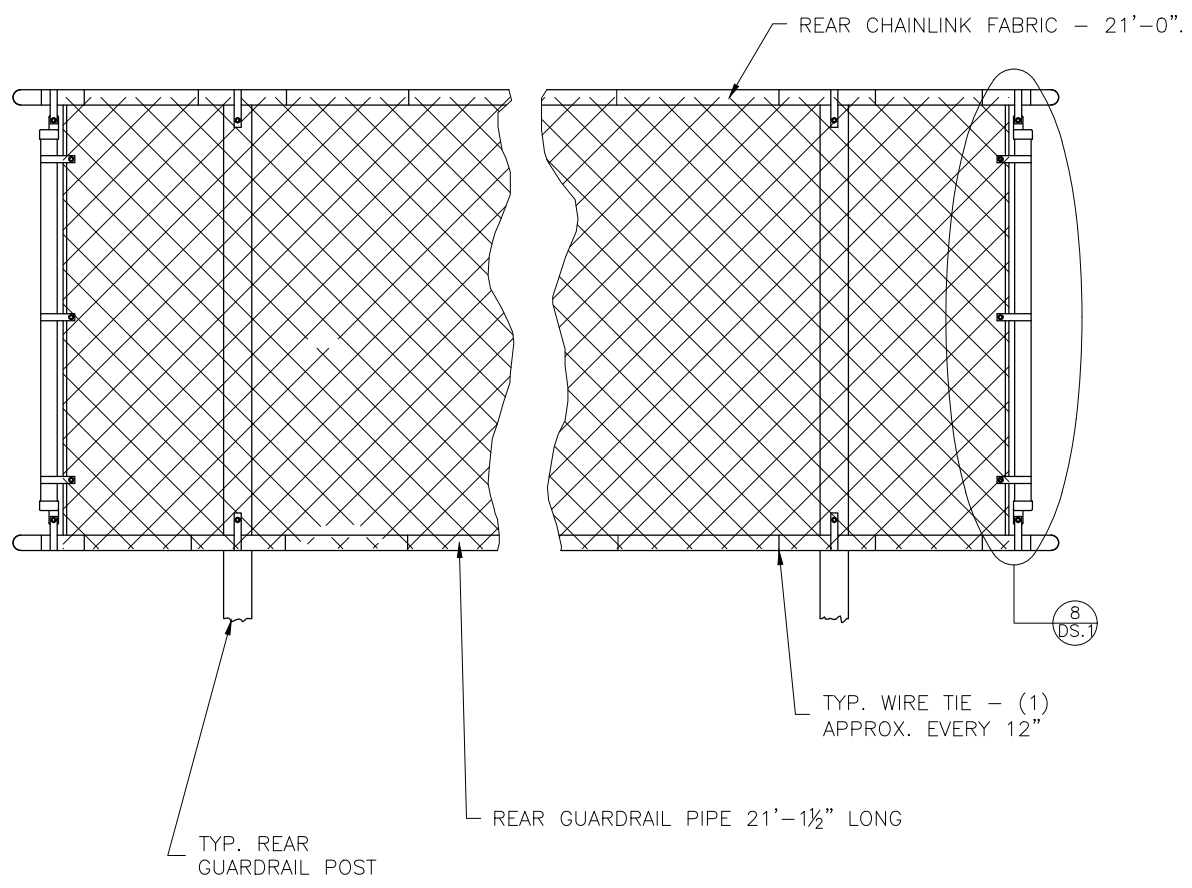
PLACE JACK ON UNDER SIDE OF HORIZONTAL BRACE APPROX. 14"-18" AWAY FROM CENTER FRAME, AS SHOWN. BLEACHER SHOULD ALWAYS BE ON SOLID, LEVEL GROUND, AND BE STABILIZED TO PREVENT MOVEMENT WHEN USING JACK.



This drawing and all information contained herein is the property of NATIONAL RECREATION SYSTEMS, INC. and is not to be reproduced without express written permission of this manufacturer. We assume no responsibility for unauthorized use of this drawing. National Recreation Systems, Inc. is not responsible for local permits and occupancy requirements.

National Recreation Systems, Inc.
 5120 INVESTMENT DRIVE - FORT WAYNE, IN 46808

SCALE: N.T.S.	APPROVED BY:	DRAWN BY: HG
DATE: 4/8/15		
TITLE: NON ELEVATED 5 ROW x 21'-0" TRANSP. KIT ASSEMBLY		
BLEACHER MODEL #: NA-0521TPSTD/CL	DRAWING NUMBER: TA.2	



**SEE PRINT # DS.1
FOR REFERENCED DETAILS**

This drawing and all information contained herein is the property of NATIONAL RECREATION SYSTEMS, INC. and is not to be reproduced without express written permission of this manufacturer. We assume no responsibility for unauthorized use of this drawing. National Recreation Systems, Inc. is not responsible for local permits and occupancy requirements.

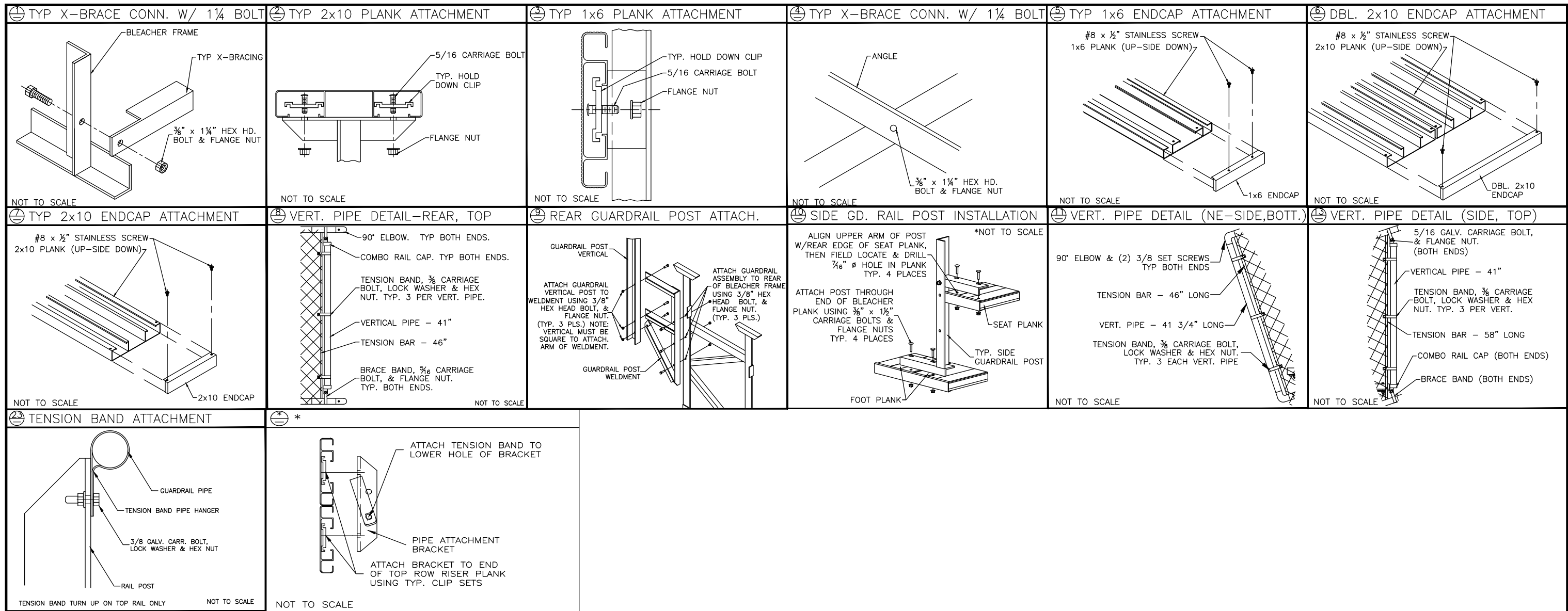
National Recreation Systems, Inc.

5120 INVESTMENT DRIVE - FORT WAYNE, IN 46808

SCALE: N.T.S.	APPROVED BY: CK	DRAWN BY: HG
DATE: 4/8/15		

TITLE: NON ELEV ALUM 5 ROW x 21'-0" GUARD RAIL ASSEMBLY

BLEACHER MODEL #: NA-0521TPSTD/CL	DRAWING NUMBER: GR.1
-----------------------------------	----------------------



<p>This drawing and all information contained herein is the property of NATIONAL RECREATION SYSTEMS, INC. and is not to be reproduced without express written permission of this manufacturer. We assume no responsibility for unauthorized use of this drawing. National Recreation Systems, Inc. is not responsible for local permits and occupancy requirements.</p>			<p>National Recreation Systems, Inc. 5120 INVESTMENT DRIVE - FORT WAYNE, IN 46808</p>		
SCALE: N.T.S.	APPROVED BY:	DRAWN BY: HG			
DATE: 4/8/15	TITLE: DETAIL SHEETS				
BLEACHER MODEL #: NA-0521TPSTD/CL	DRAWING NUMBER: DS.1				