

***NA-0524TPSTD\_CL***

***NON ELEVATED ALUMINUM 5 ROW x 24'-0" BLEACHER***

**National Recreation Systems, Inc.**

**1300-D AIRPORT NORTH OFFICE PARK FORT WAYNE, IN 46825**

CS.1	- COVER SHEET
TD.1	- BLEACHER SEATING PLAN
GS.1	- GROUND SILL PLAN
BA.1	- BLEACHER ASSEMBLY
PF.1	- PLANK & FRAMING PLAN
TA.1	- TRANSPORT KIT ASSEMBLY
TA.2	- TRANSPORT KIT ASSEMBLY
GR.1	- GUARDRAIL PRINT



SECTION LENGTH	GROSS SEATS	ACTUAL SEATS	NO. OF ROWS	NET SEATS
24	16.00	16.00	5	80
				<b>NET SEATS 80</b>
				<b>WHEELCHAIR SPACES 0</b>
				<b>TOTAL NET SEATING CAPACITY 80</b>
				<b>(BASED ON 18" PER SEAT)</b>

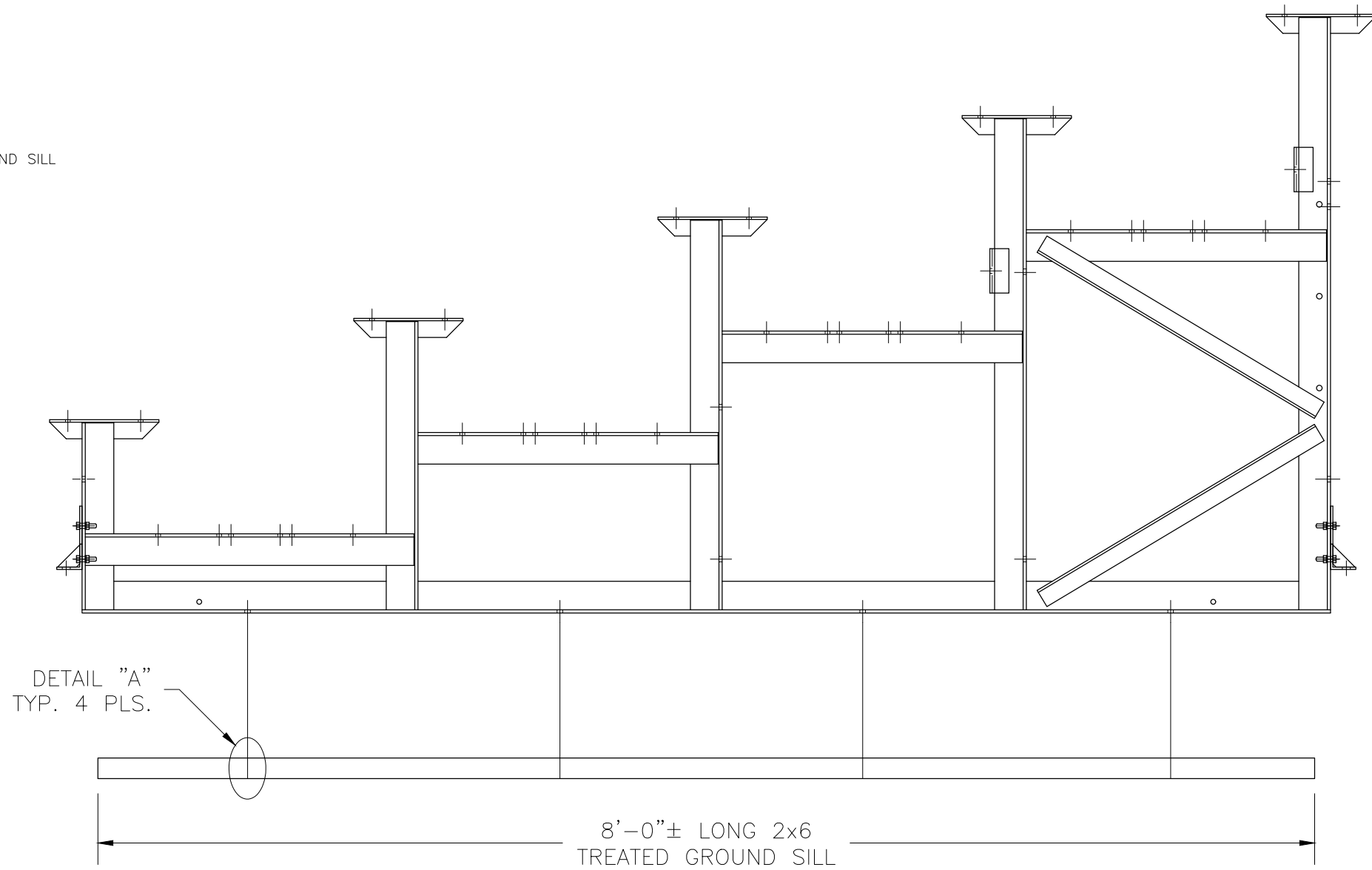
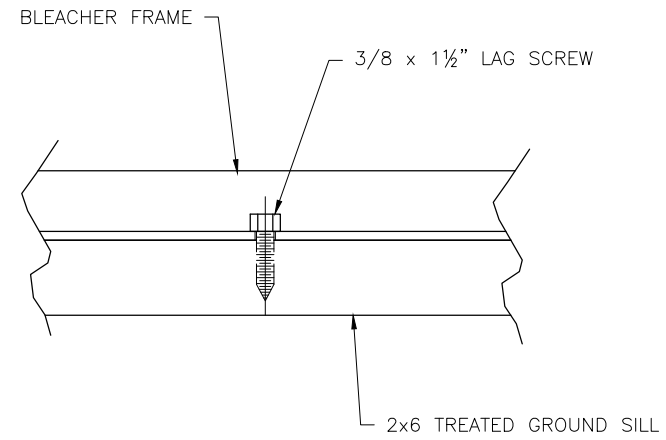
This drawing and all information contained herein is the property of NATIONAL RECREATION SYSTEMS, INC. and is not to be reproduced without express written permission of this manufacturer. We assume no responsibility for unauthorized use of this drawing. National Recreation Systems, Inc. is not responsible for local permits and occupancy requirements.

### National Recreation Systems, Inc.

1300-D AIRPORT NORTH OFFICE PARK FORT WAYNE, IN 46825

SCALE: N.T.S.	APPROVED BY:	DRAWN BY: JML
DATE: 11/22/2016		
TITLE: NON ELEVATED 5 ROW x 24'-0" BLEACHER SEATING PLAN		
BLEACHER MODEL #: NA-0524TPSTD_CL	DRAWING NUMBER: TD.1	

**DETAIL 'A' - GROUND SILL ATTACHMENT**

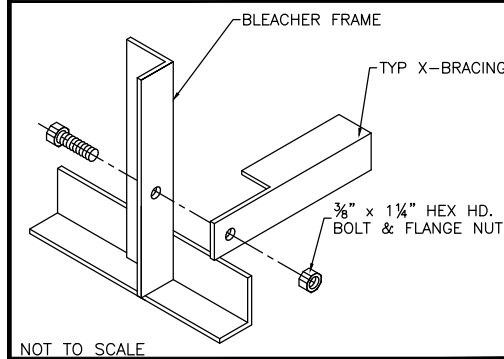


This drawing and all information contained herein is the property of NATIONAL RECREATION SYSTEMS, INC. and is not to be reproduced without express written permission of this manufacturer. We assume no responsibility for unauthorized use of this drawing. National Recreation Systems, Inc. is not responsible for local permits and occupancy requirements.

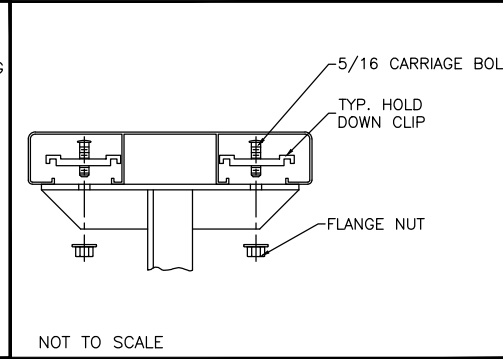
**National Recreation Systems, Inc.**  
1300-D AIRPORT NORTH OFFICE PARK FORT WAYNE, IN 46825

SCALE: N.T.S.	APPROVED BY:	DRAWN BY: JML
DATE: 11/22/2016		
TITLE: NON ELEVATED 5 ROW x 24'-0" GROUND SILL PLAN		
BLEACHER MODEL #: NA-0524TPSTD_CL	DRAWING NUMBER: AP.1	

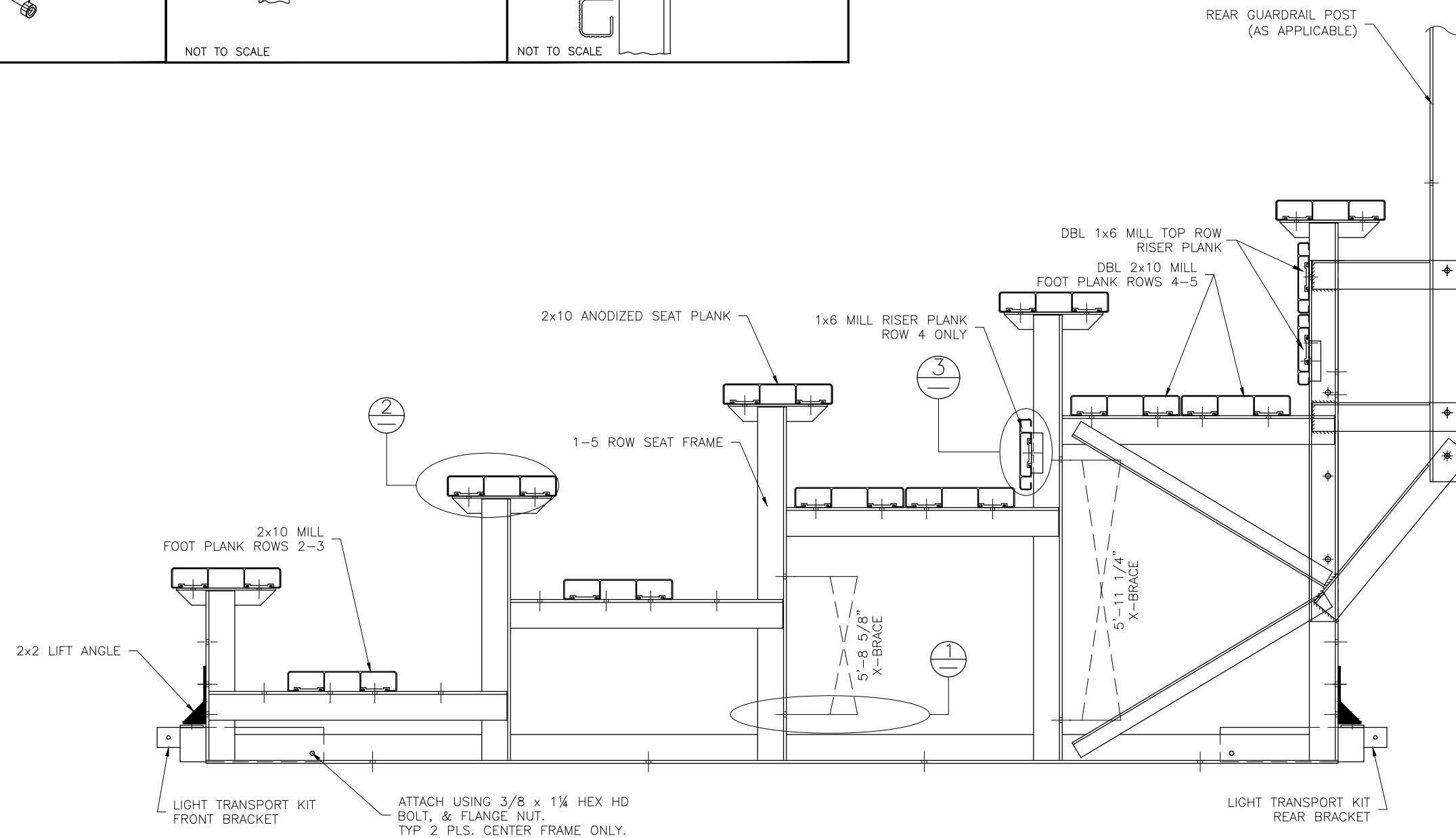
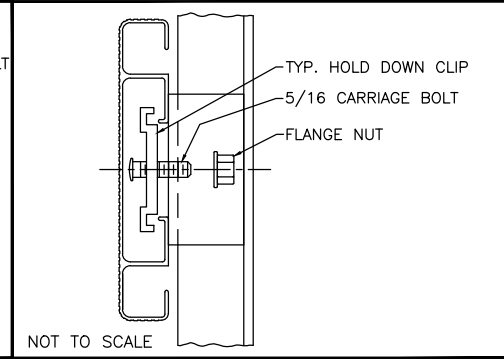
⊕ TYP X-BRACE CONN. W/ 1/4" BOLT



⊕ TYP 2x10 PLANK ATTACHMENT



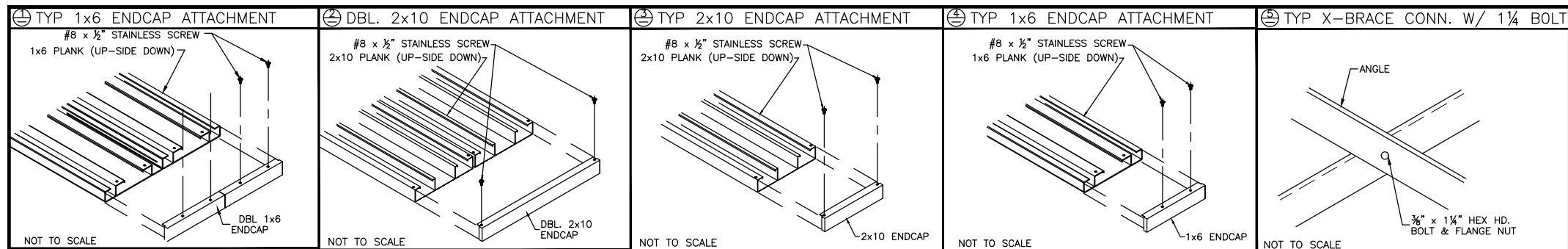
⊕ TYP 1x6 PLANK ATTACHMENT



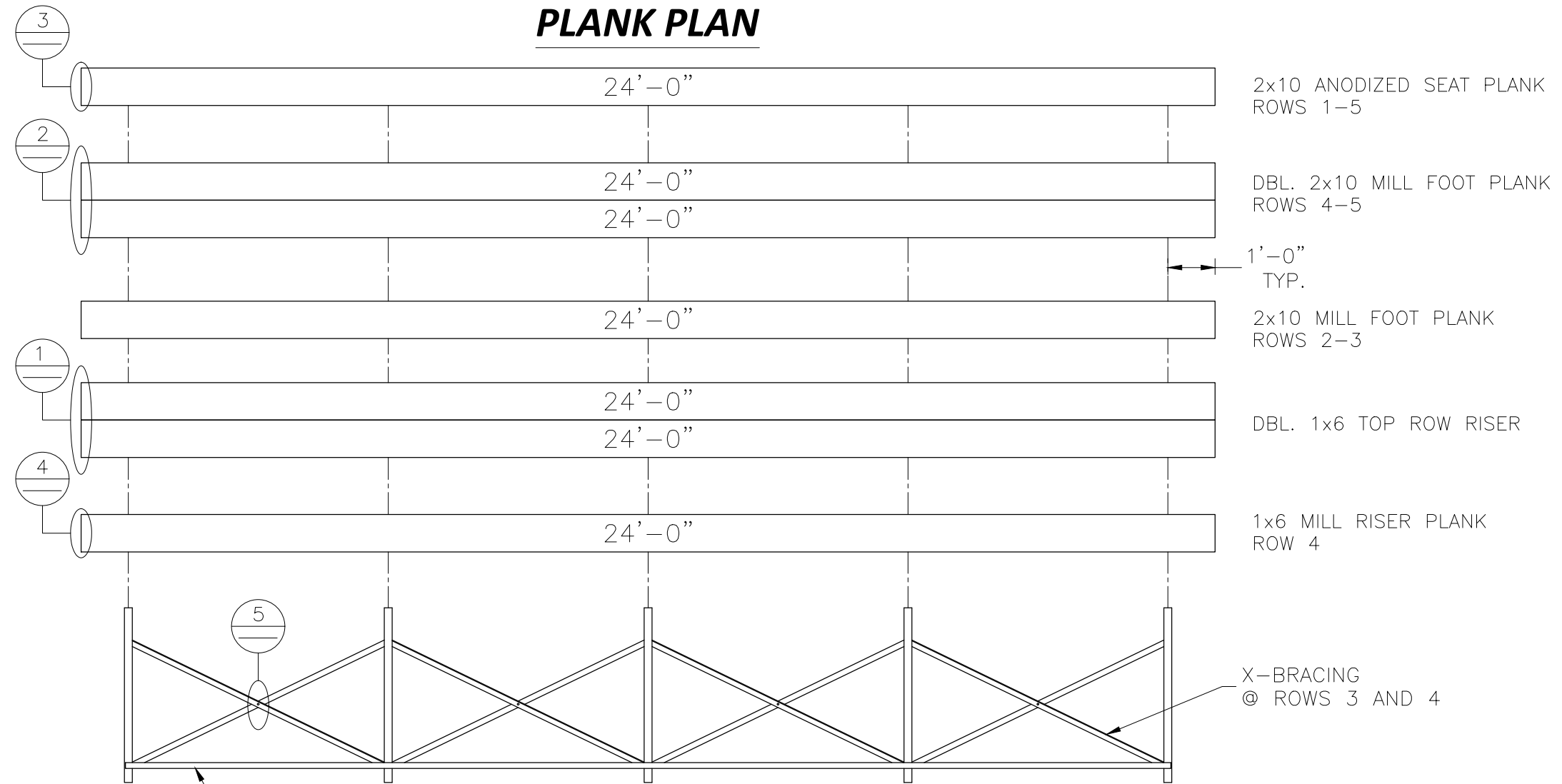
This drawing and all information contained herein is the property of NATIONAL RECREATION SYSTEMS, INC. and is not to be reproduced without express written permission of this manufacturer. We assume no responsibility for unauthorized use of this drawing. National Recreation Systems, Inc. is not responsible for local permits and occupancy requirements.

**National Recreation Systems, Inc.**  
1300-D AIRPORT NORTH OFFICE PARK FORT WAYNE, IN 46825

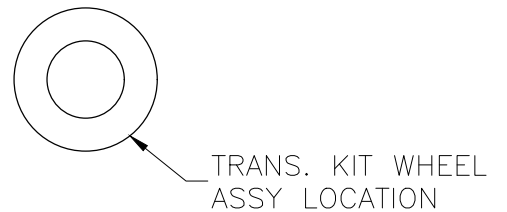
SCALE: N.T.S.	APPROVED BY:	DRAWN BY: JML
DATE: 11/22/16		
TITLE: NON ELEVATED 5 ROW x 24'-0" BLEACHER ASSEMBLY		
BLEACHER MODEL #: NA-0524TPSTD_CL	DRAWING NUMBER: BA.1	



### PLANK PLAN



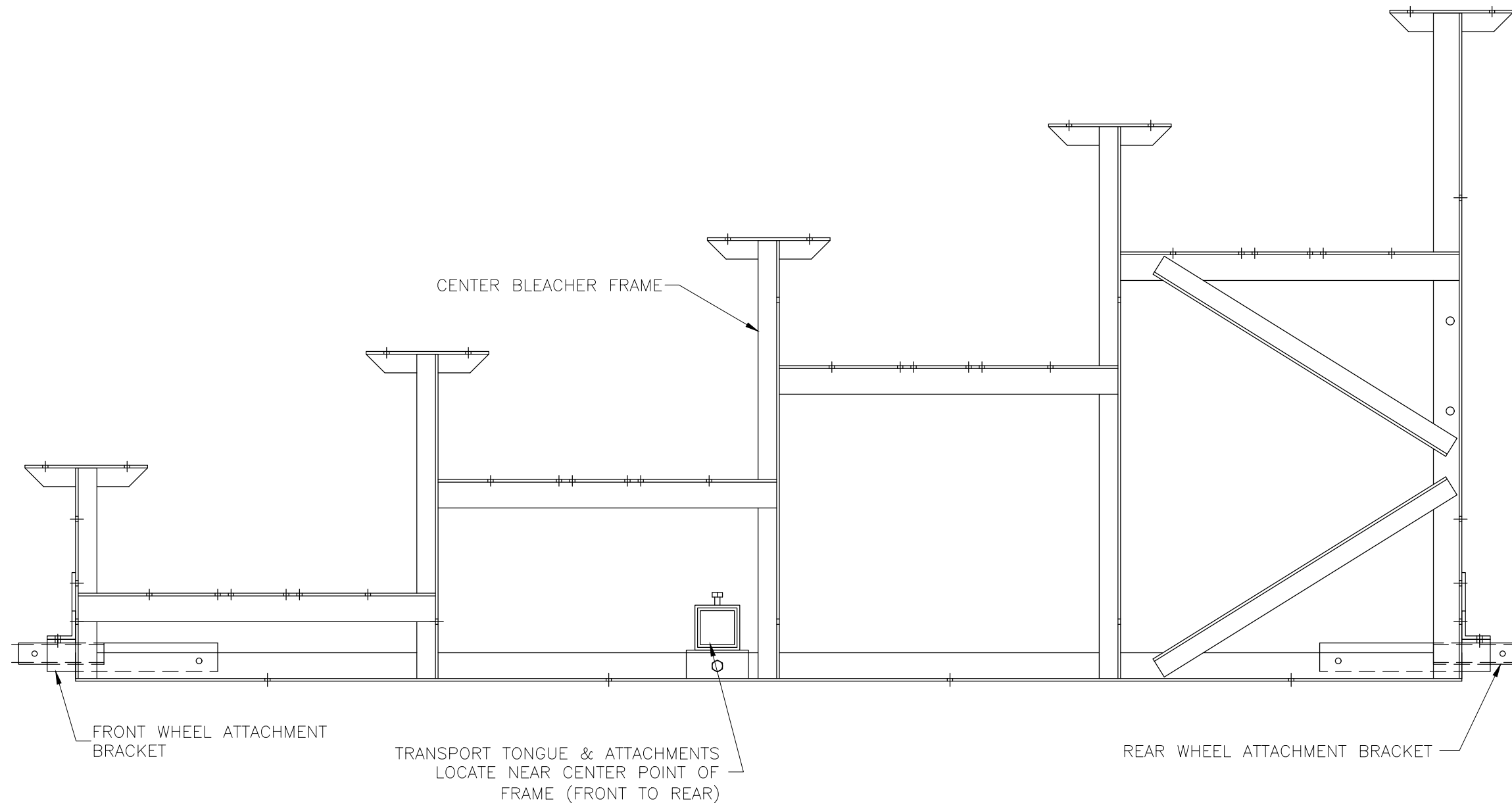
### FRAMING PLAN



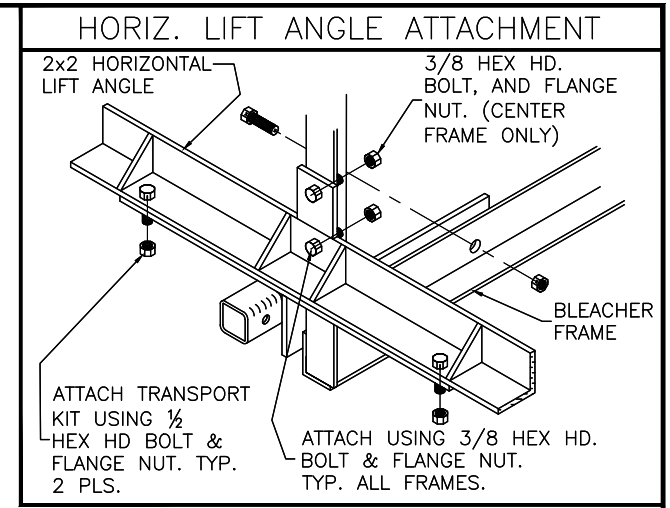
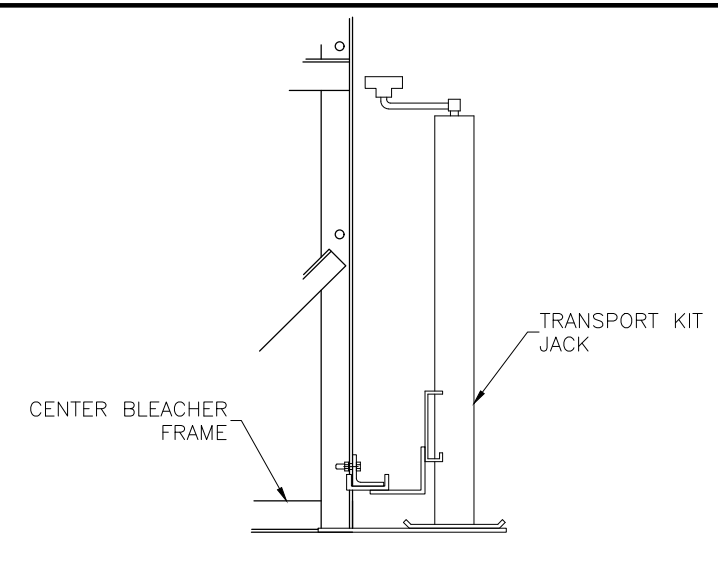
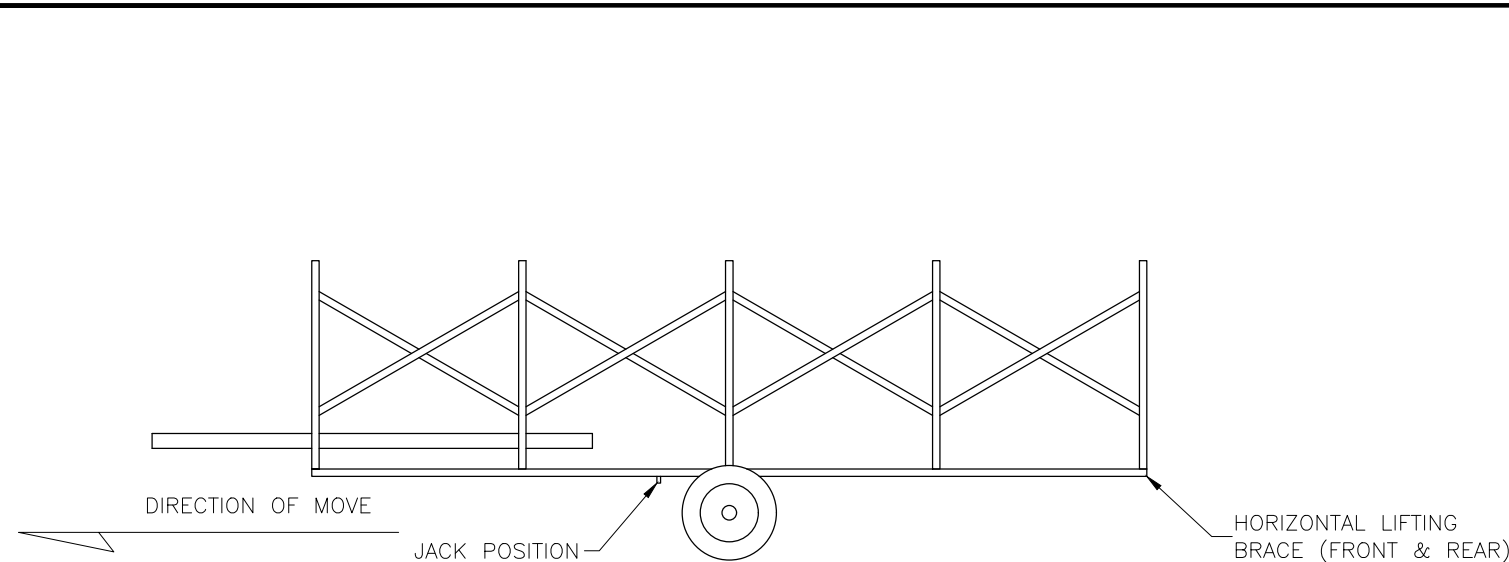
This drawing and all information contained herein is the property of NATIONAL RECREATION SYSTEMS, INC. and is not to be reproduced without express written permission of this manufacturer. We assume no responsibility for unauthorized use of this drawing. National Recreation Systems, Inc. is not responsible for local permits and occupancy requirements.

**National Recreation Systems, Inc.**  
 1300-D AIRPORT NORTH OFFICE PARK FORT WAYNE, IN 46825

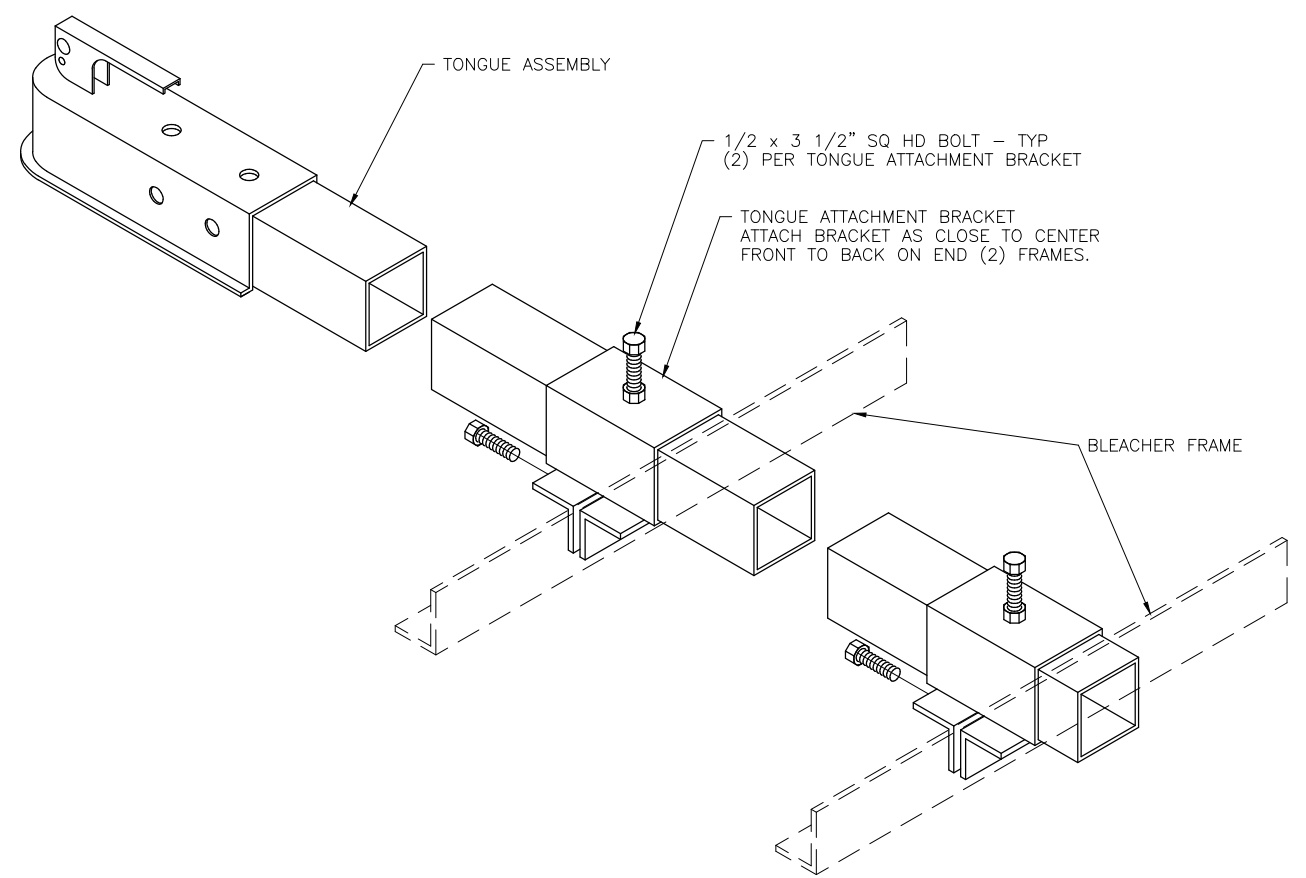
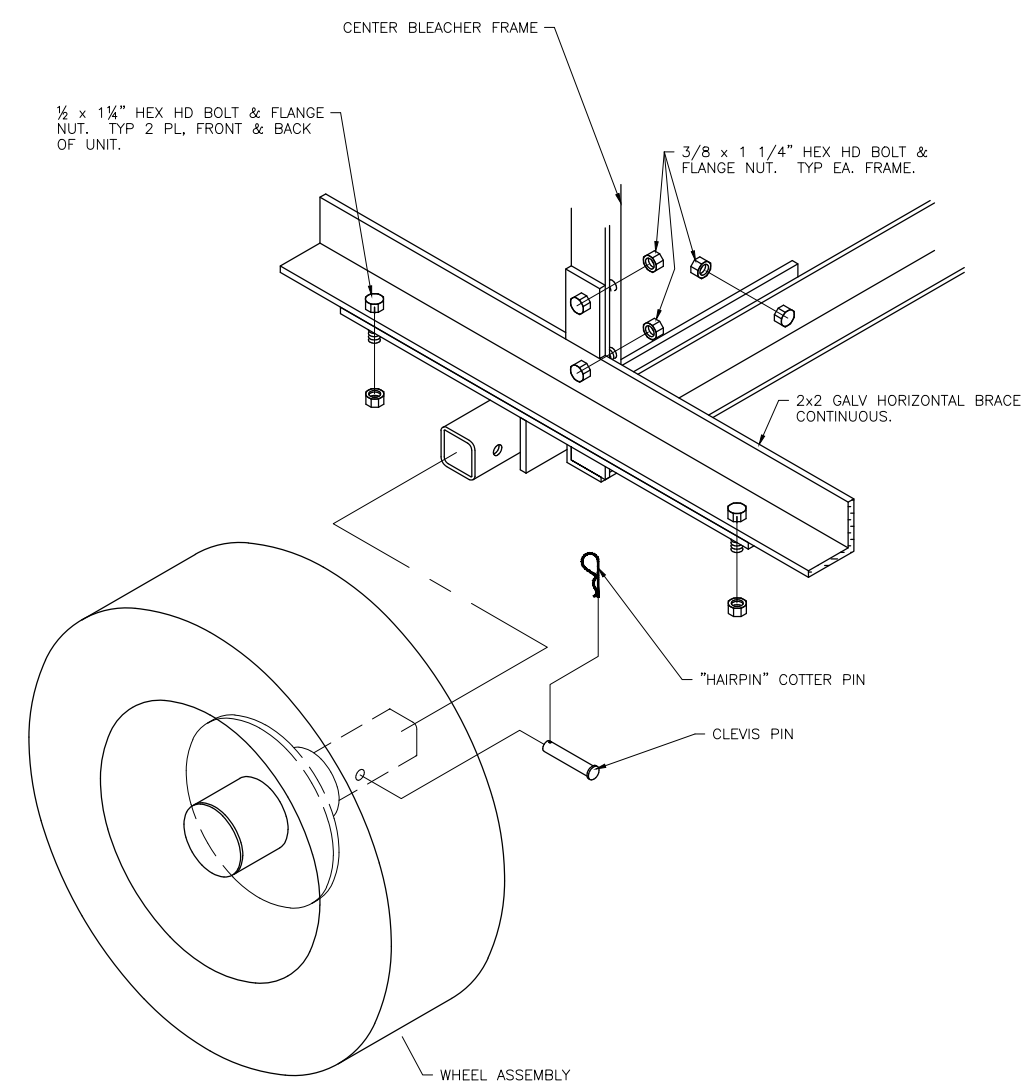
SCALE: N.T.S.	APPROVED BY:	DRAWN BY: JML
DATE: 11/22/2016		
TITLE: NON ELEVATED 5 ROW x 24'-0" PLANK & FRAMING PLAN		
BLEACHER MODEL #: NA-0524TPSTD_CL	DRAWING NUMBER: PF.1	



<p>This drawing and all information contained herein is the property of NATIONAL RECREATION SYSTEMS, INC. and is not to be reproduced without express written permission of this manufacturer. We assume no responsibility for unauthorized use of this drawing. National Recreation Systems, Inc. is not responsible for local permits and occupancy requirements.</p>			<p><b>National Recreation Systems, Inc.</b>  <b>1300-D AIRPORT NORTH OFFICE PARK FORT WAYNE, IN 46825</b></p>		
SCALE:	N.T.S.	APPROVED BY:	DRAWN BY: JML		
DATE:	11/22/2016				
TITLE:	NON ELEVATED 5 ROW x 24'-0" TRANSP. KIT ASSEMBLY				
BLEACHER MODEL #:	NA-0524TPSTD_CL	DRAWING NUMBER:			TA.1

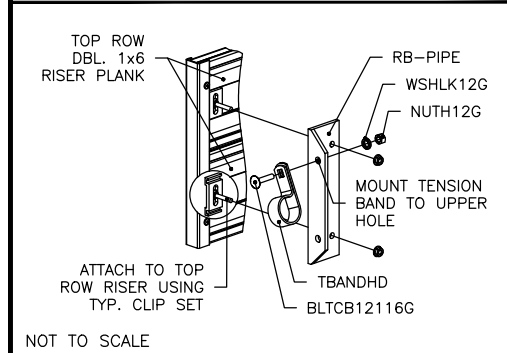


PLACE JACK ON UNDER SIDE OF HORIZONTAL BRACE APPROX. 14"-18" AWAY FROM CENTER FRAME, AS SHOWN. BLEACHER SHOULD ALWAYS BE ON SOLID, LEVEL GROUND, AND BE STABILIZED TO PREVENT MOVEMENT WHEN USING JACK.

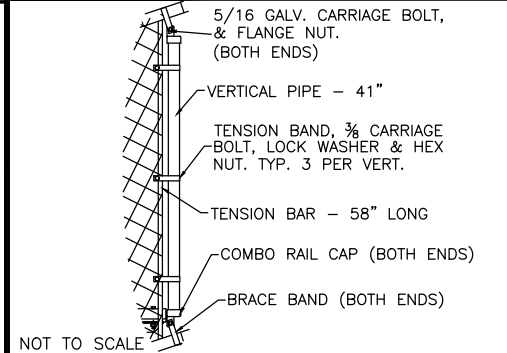


<p>This drawing and all information contained herein is the property of NATIONAL RECREATION SYSTEMS, INC. and is not to be reproduced without express written permission of this manufacturer. We assume no responsibility for unauthorized use of this drawing. National Recreation Systems, Inc. is not responsible for local permits and occupancy requirements.</p>		
<p align="center"><b>National Recreation Systems, Inc.</b> 1300-D AIRPORT NORTH OFFICE PARK FORT WAYNE, IN 46825</p>		
SCALE: N.T.S.	APPROVED BY:	DRAWN BY: JML
DATE: 11/22/2016		
TITLE: NON ELEVATED 5 ROW x 24'-0" TRANSP. KIT ASSEMBLY		
BLEACHER MODEL #: NA-0524TPSTD_CL	DRAWING NUMBER: TA.2	

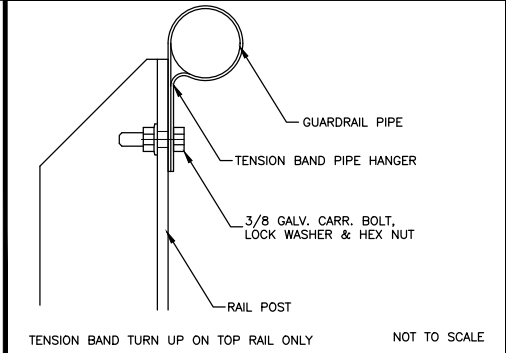
1 LOWER PIPE BRACKET ATTACH.



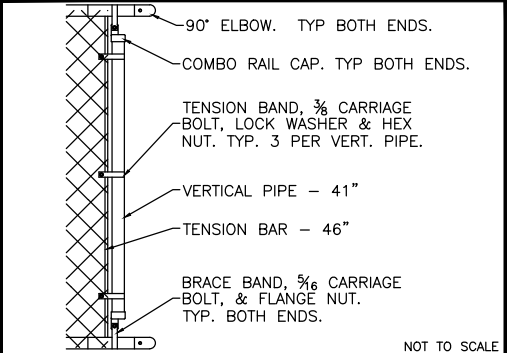
2 VERT. PIPE DETAIL (SIDE, TOP)



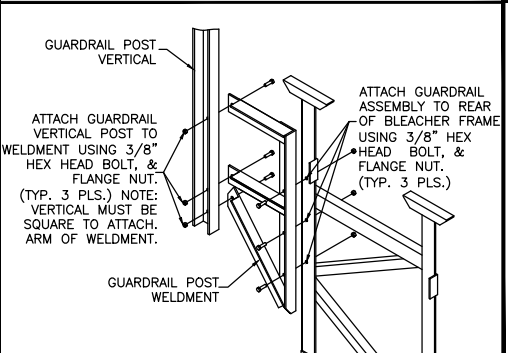
3 TENSION BAND ATTACHMENT



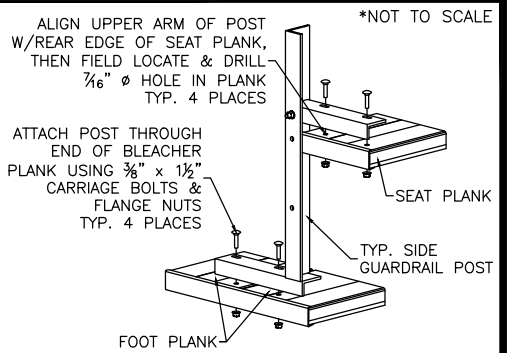
4 VERT. PIPE DETAIL-REAR, TOP



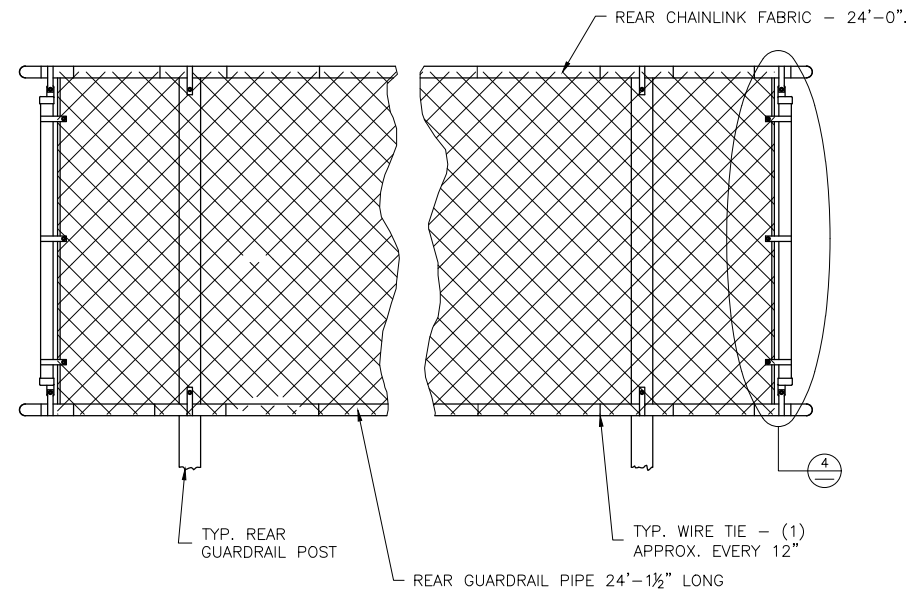
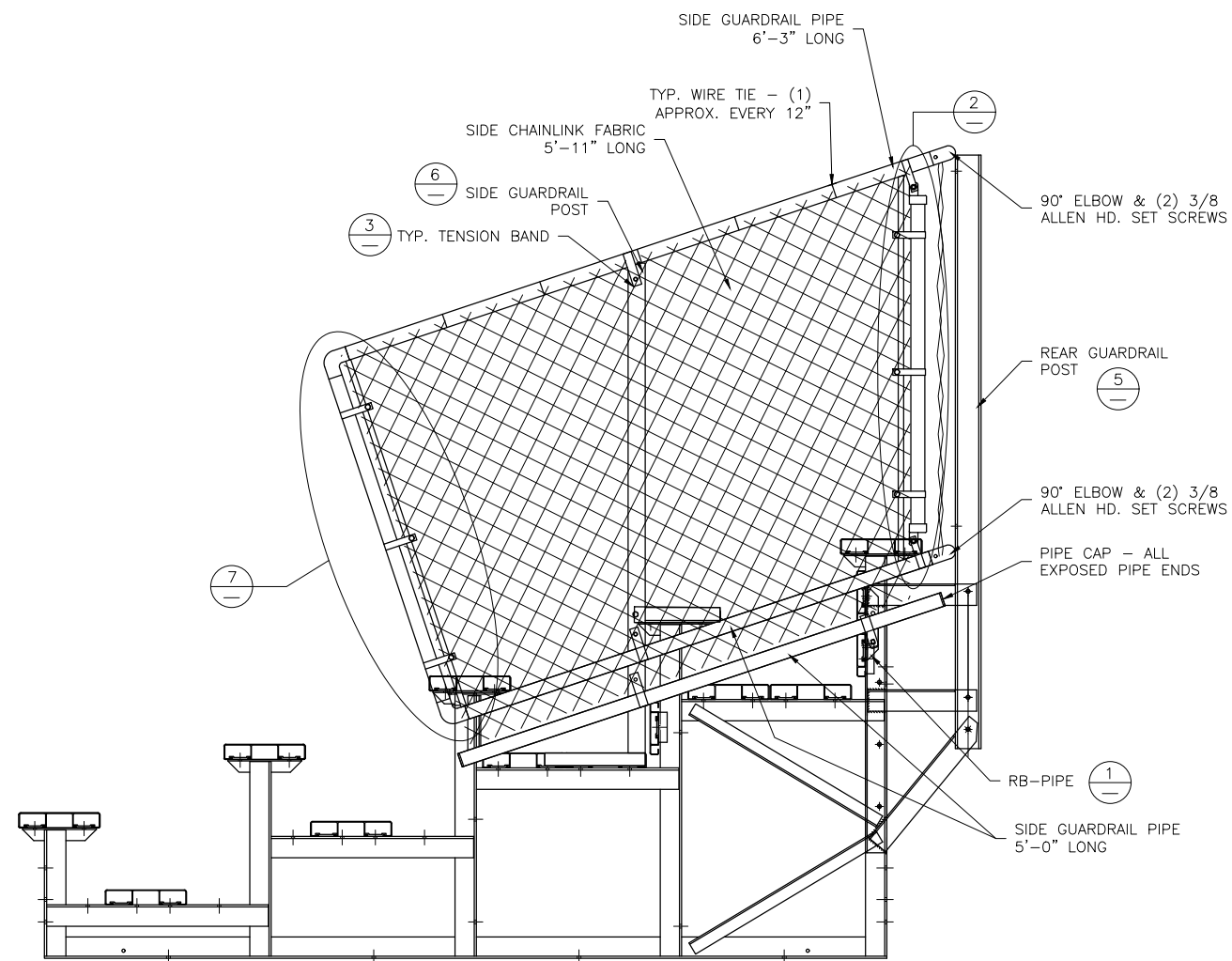
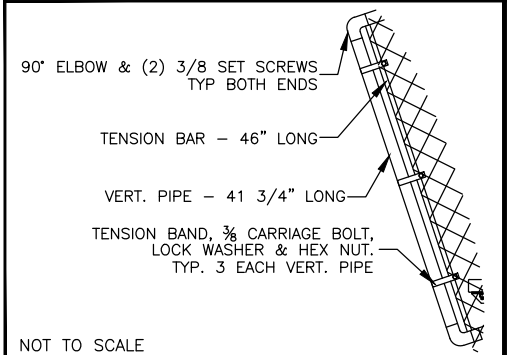
5 REAR GUARDRAIL POST ATTACH.



6 SIDE GD. RAIL POST INSTALLATION



7 VERT. PIPE DETAIL (NE-SIDE, BOTT.)



This drawing and all information contained herein is the property of NATIONAL RECREATION SYSTEMS, INC. and is not to be reproduced without express written permission of this manufacturer. We assume no responsibility for unauthorized use of this drawing. National Recreation Systems, Inc. is not responsible for local permits and occupancy requirements.

**National Recreation Systems, Inc.**  
 1300-D AIRPORT NORTH OFFICE PARK FORT WAYNE, IN 46825

SCALE: N.T.S.	APPROVED BY: CK	DRAWN BY: JML
DATE: 11/22/2016		
TITLE: NON ELEV ALUM 5 ROW x 24'-0" GUARD RAIL ASSEMBLY		
BLEACHER MODEL #: NA-0524TPSTD_CL	DRAWING NUMBER: GR.1	