

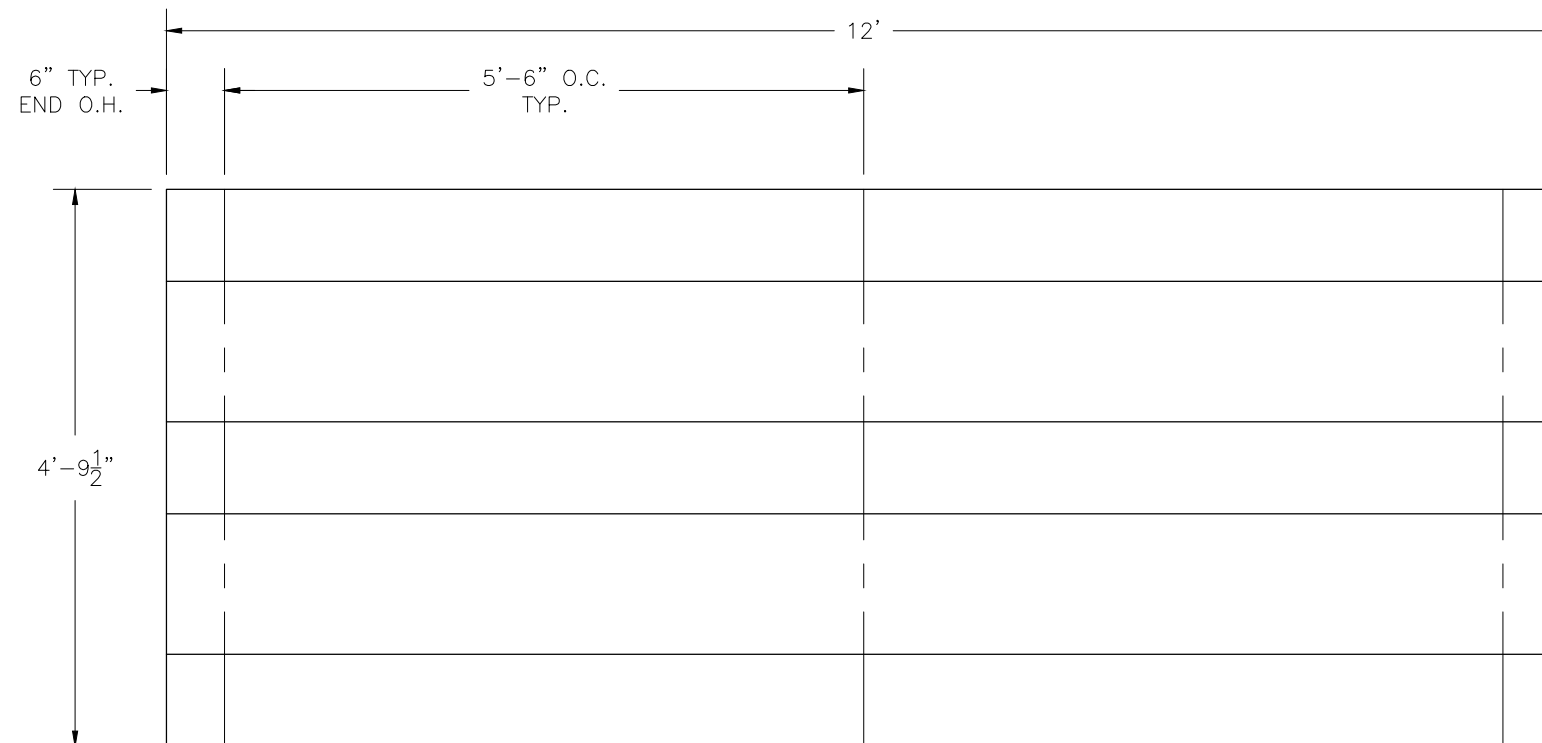
NB-0312APRF

NON ELEVATED ALUMINUM 3 ROW x 12'-0" BLEACHER

National Recreation Systems, Inc.

1300-D NORTH AIRPORT OFFICE PARK FORT WAYNE, IN 46825

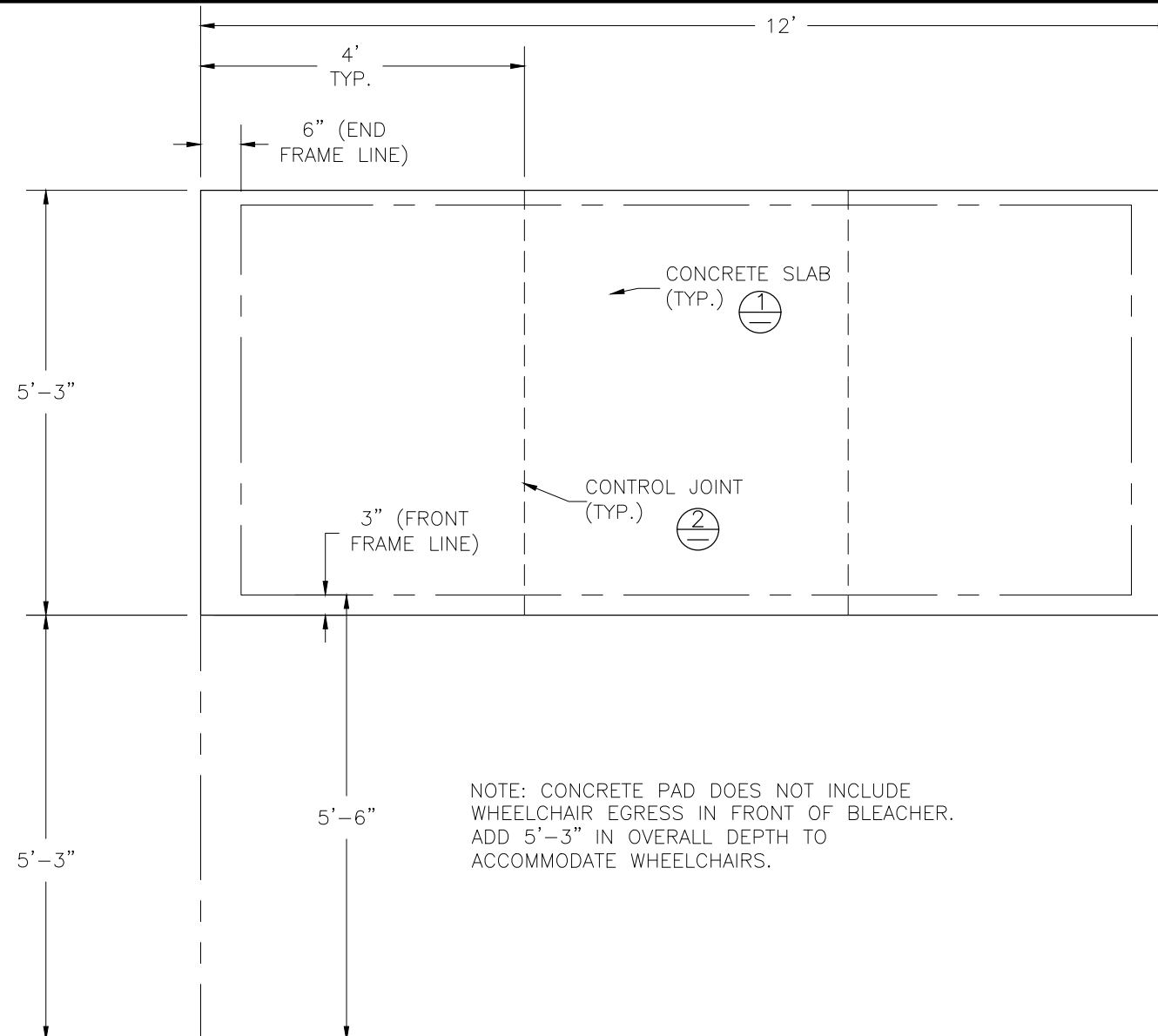
CS.1	- COVER SHEET
TD.1	- BLEACHER SEATING PLAN
FP.1	- FOUNDATION PLAN
AP.1	- ANCHORING PLAN
AP.2	- ANCHORING PLAN
BA.1	- BLEACHER ASSEMBLY
PF.1	- PLANK & FRAMING PLAN
BR.1	- BRACING



SECTION LENGTH	GROSS SEATS	ACTUAL SEATS	NO. OF ROWS	NET SEATS
12	8.00	8.00	3	24
			NET SEATS	24
			WHEELCHAIR SPACES	0
			TOTAL NET SEATING CAPACITY	24
			(BASED ON 18" PER SEAT)	

This drawing and all information contained herein is the property of NATIONAL RECREATION SYSTEMS, INC. and is not to be reproduced without express written permission of this manufacturer. We assume no responsibility for unauthorized use of this drawing. National Recreation Systems, Inc. is not responsible for local permits and occupancy requirements.

National Recreation Systems, Inc.		
1300-D NORTH AIRPORT OFFICE PARK FORT WAYNE, IN 46825		
SCALE: N.T.S.	APPROVED BY: CHUCK	DRAWN BY: JML
DATE: 4/21/15	5/27/2016	
TITLE: NON ELEV ALUM 3 ROW x 12'-0" BLEACHER SEATING PLAN		
BLEACHER MODEL #: NB-0312APRF	DRAWING NUMBER: TD.1	



NOTE: CONCRETE PAD DOES NOT INCLUDE WHEELCHAIR EGRESS IN FRONT OF BLEACHER. ADD 5'-3" IN OVERALL DEPTH TO ACCOMMODATE WHEELCHAIRS.

CONCRETE FOUNDATION SPECIFICATIONS

SCOPE:

Foundation construction is not part of National Recreation Systems, Inc.'s (NRS) scope of work unless noted otherwise in the contract documents. The owner shall review the foundation design with the local code authorities, and coordinate with NRS.

FOUNDATION DESIGN & ANCHORS:

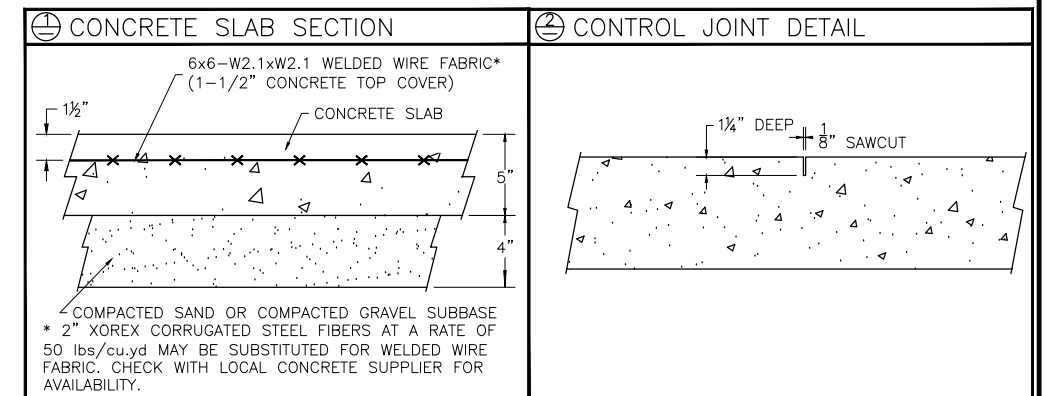
- 1) The foundation designs are based on the following:
 - a. Minimum presumed soil bearing 1000 psf.
 - b. Bleacher frame dead and live load 700 lbs./ft.
 - c. Bleacher frame wind uplift load 250 lbs./ft.
- 2) Unless otherwise noted on the drawings the bleacher frames shall be attached to the concrete with 3/8" dia. x3" wedge type expansion anchors. The anchors shall be embedded a minimum of 2" into the concrete.

CONCRETE SPECIFICATIONS:

- 1) All concrete construction shall be in accordance with *ACI 318-08*.
- 2) All concrete shall have a minimum 28-day strength of $F_c=3000$ psi.
- 3) A 1/4" bituminous expansion joint material shall be placed between strip and slab foundations when adjacent to each other.
- 4) The depressions in the top of the foundations between high spots shall not exceed 5/16" below a 10-foot long straightedge. The 10-foot straightedge method used to measure foundation flatness shall be in accordance with Section of ACI 302.1R-04 "Guide for Concrete Floor and Slab Construction".

CONCRETE SLAB SPECIFICATIONS:

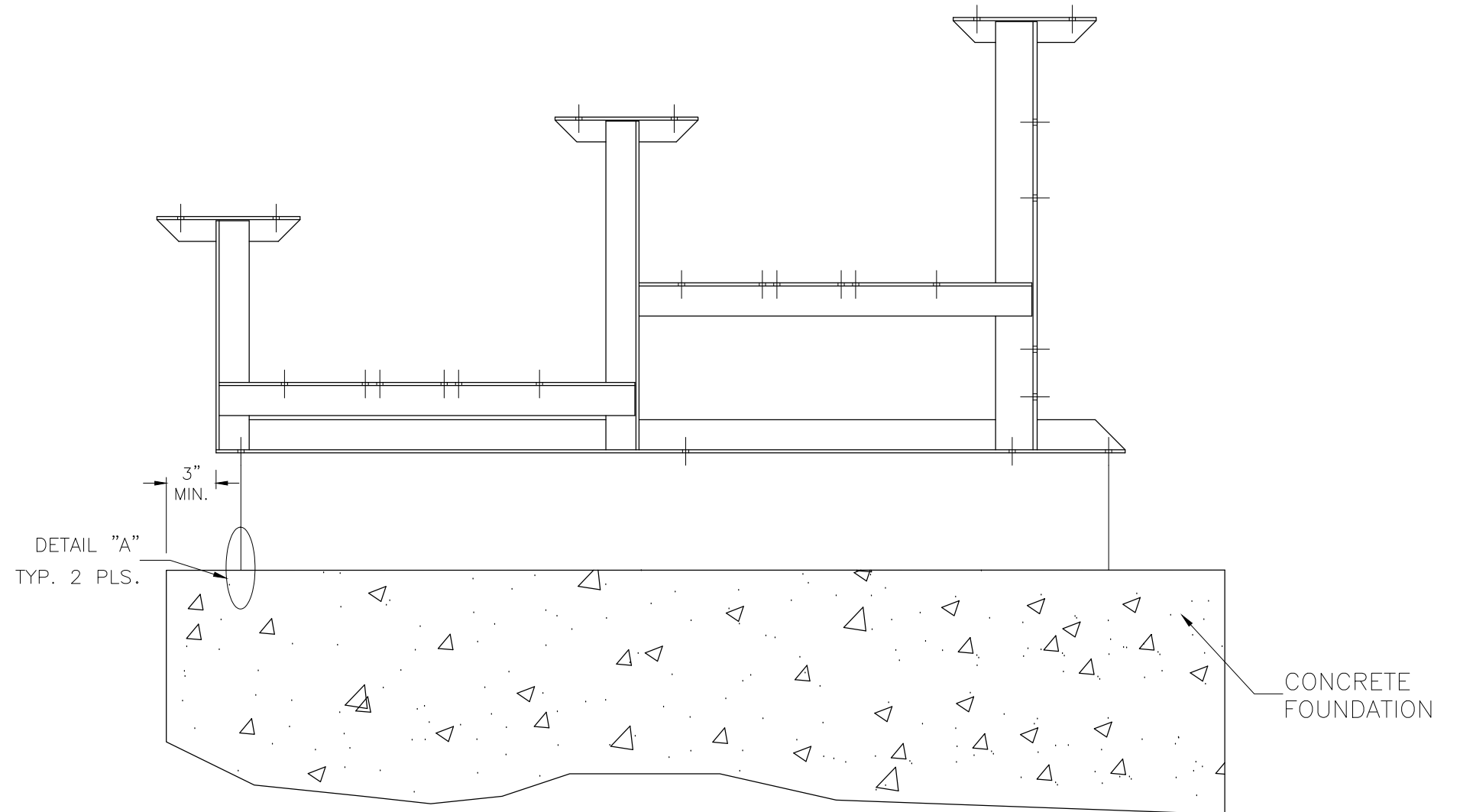
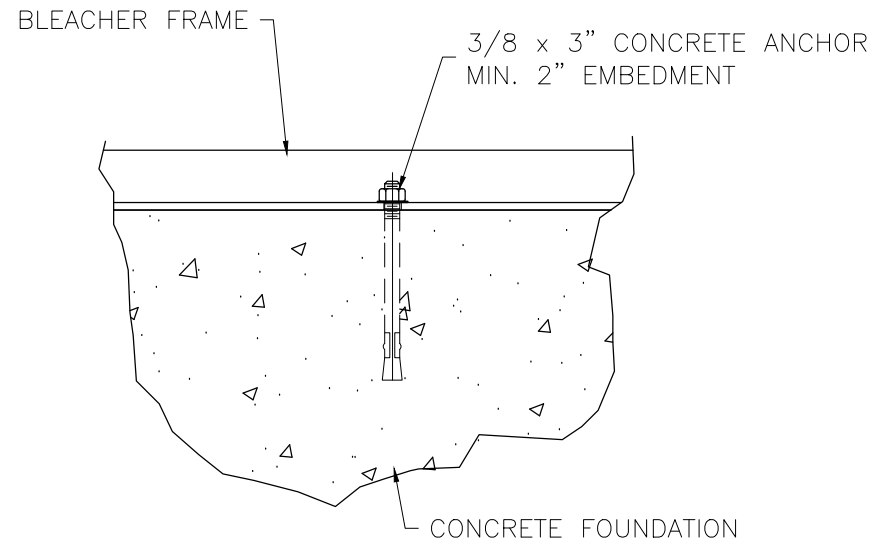
- 1) Concrete slab shall have a minimum thickness of 5" (NRS, Inc. recommends, and some areas may require 6" thickness) and placed on 4" of compacted gravel or compacted sand sub-base.
- 2) NRS, Inc. recommends that the concrete slab be reinforced with 6x6-W2.1xW2.1 welded wire fabric at 1 1/2" concrete cover from the top. In lieu of welded wire fabric, 2" XOREX by Ribbon Technology Corporation or equal corrugated steel fibers applied at a rate of 50-lbs./Cubic Yard may be used. Nylon or polypropylene fiber are not recommended.
- 3) Crack control joints shall be sawed into slab to form approximate square patterns. The maximum spacing for control joints shall not exceed 12'-6", unless shown otherwise on this drawing. The bleacher frames shall not be set on control joints. The designer shall contact NRS to coordinate joint spacing requirements with the specific bleacher design.
- 4) The slab may be sloped a maximum of 1/8 inch per foot for drainage. The maximum overall out of level slope for the slab perpendicular to the seats (front to rear) shall not exceed 2" and parallel to the seats (end to end) shall not exceed 4".



This drawing and all information contained herein is the property of NATIONAL RECREATION SYSTEMS, INC. and is not to be reproduced without express written permission of this manufacturer. We assume no responsibility for unauthorized use of this drawing. National Recreation Systems, Inc. is not responsible for local permits and occupancy requirements.

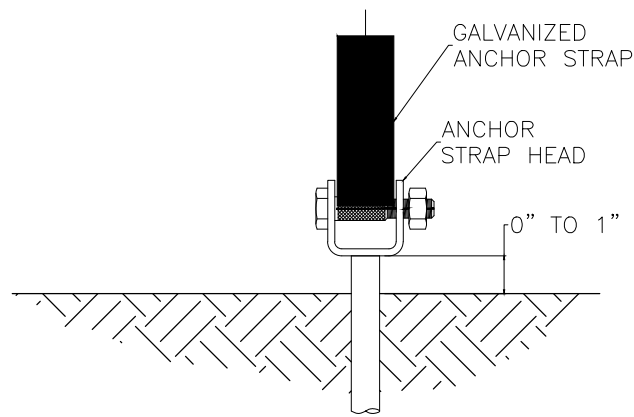
National Recreation Systems, Inc.		
1300-D NORTH AIRPORT OFFICE PARK FORT WAYNE, IN 46825		
SCALE: N.T.S.	APPROVED BY: CHUCK	DRAWN BY: JML
DATE: 4/21/15	5/27/2016	
TITLE: FOUNDATION PLAN		
BLEACHER MODEL #: NB-0312APRF	DRAWING NUMBER: FP.1	

DETAIL "A" - CONCRETE ANCHOR ATTACHMENT

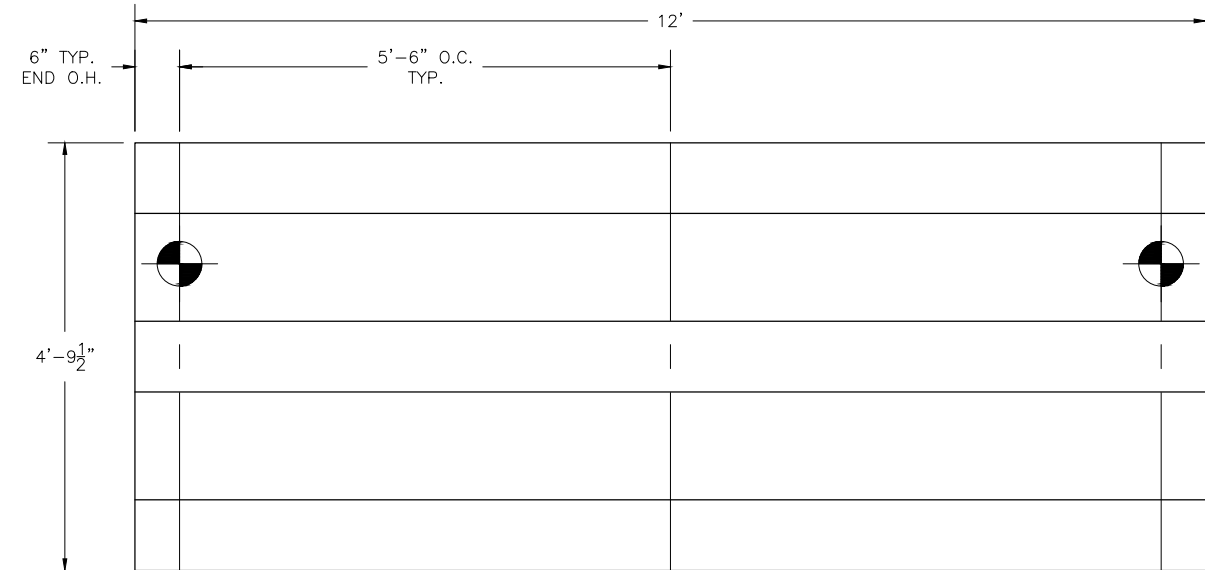
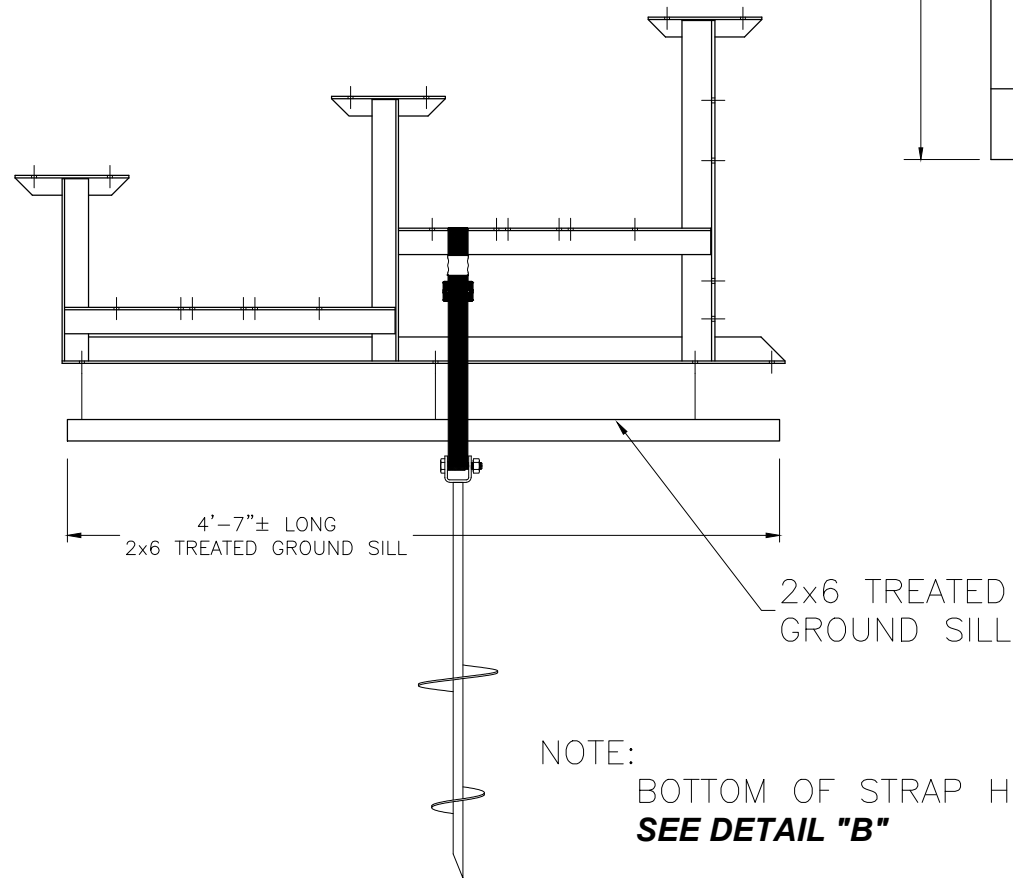
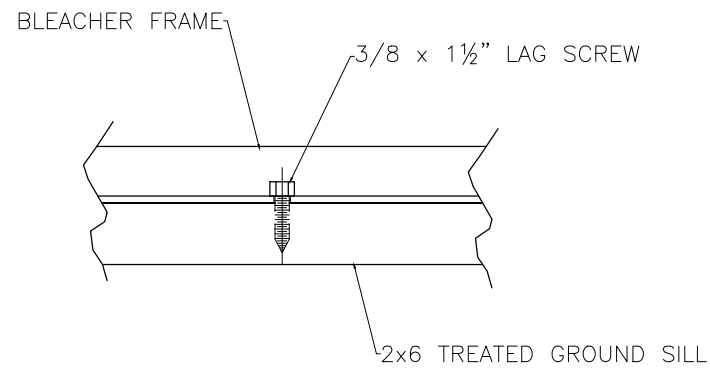


<p>This drawing and all information contained herein is the property of NATIONAL RECREATION SYSTEMS, INC. and is not to be reproduced without express written permission of this manufacturer. We assume no responsibility for unauthorized use of this drawing. National Recreation Systems, Inc. is not responsible for local permits and occupancy requirements.</p>			
<p>National Recreation Systems, Inc. 1300-D NORTH AIRPORT OFFICE PARK FORT WAYNE, IN 46825</p>			
SCALE: N.T.S.	APPROVED BY: CHUCK	DRAWN BY: JML	
DATE: 4/21/15	5/27/2016		
TITLE: ANCHORING PLAN			
BLEACHER MODEL #: NB-0312APRF			DRAWING NUMBER: AP.1

DETAIL "A" - GROUND SILL ATTACHMENT



DETAIL "B" - STRAP HEAD DETAIL

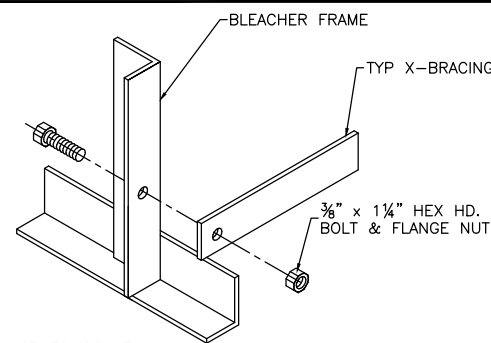


**AUGER ANCHOR LOCATIONS
FOR 3 ROW 12'-0"
NON ELEVATED BLEACHER SYSTEM**

MINUTE MAN SOIL ANCHOR MARK MMA-52, MODEL 4636-DH 3/4, 4" & 6" DISKS, 36" LENGTH TYPICAL ATTACHED TO BLEACHER FRAMES BY MINUTE MAN BUCKLE STRAP AND ATTACHED FROM STRAP TO ANCHOR HEAD BY MINUTE MAN STRAP BOLT. ANCHORS SHALL BE FIELD INSTALLED AS PER DRAWINGS STARTING WITH ALL OUTSIDE FRAMES AND ALTERNATE FRAME LINES. THE ANCHOR IS DESIGNED FOR SOILS OF "LOOSE TO MEDIUM DENSE SANDS; FIRM TO STIFF CLAYS AND SILTS; ALLUVIAL FILLS" WITH A BLOW COUNT (ASTMD1586) OF 18-23.

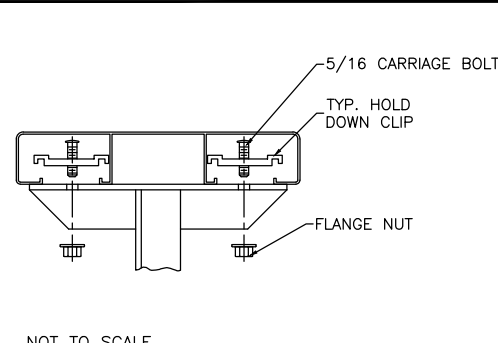
This drawing and all information contained herein is the property of NATIONAL RECREATION SYSTEMS, INC. and is not to be reproduced without express written permission of this manufacturer. We assume no responsibility for unauthorized use of this drawing. National Recreation Systems, Inc. is not responsible for local permits and occupancy requirements.			National Recreation Systems, Inc. 1300-D NORTH AIRPORT OFFICE PARK FORT WAYNE, IN 46825		
SCALE:	N.T.S.	APPROVED BY:	CHUCK 5/27/2016		DRAWN BY:
DATE:	4/21/15			JML	
TITLE:	ANCHORING PLAN				
BLEACHER MODEL #:	NB-0312APRF			DRAWING NUMBER:	AP.2

⊕ TYP X-BRACE CONN. W/ 1 1/4" BOLT

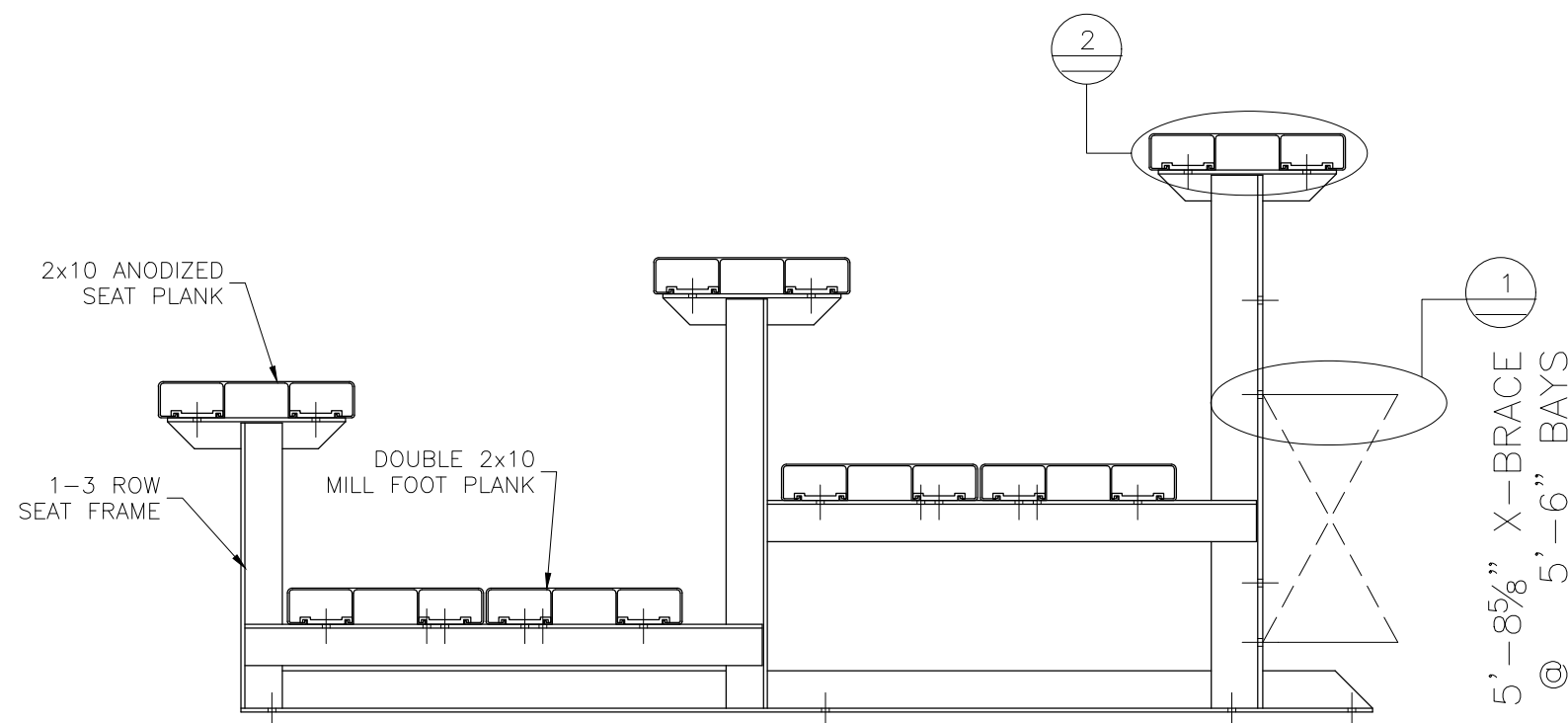


NOT TO SCALE

⊖ TYP 2x10 PLANK ATTACHMENT



NOT TO SCALE

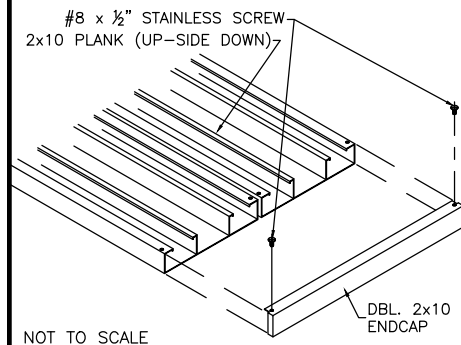


This drawing and all information contained herein is the property of NATIONAL RECREATION SYSTEMS, INC. and is not to be reproduced without express written permission of this manufacturer. We assume no responsibility for unauthorized use of this drawing. National Recreation Systems, Inc. is not responsible for local permits and occupancy requirements.

National Recreation Systems, Inc.
 1300-D NORTH AIRPORT OFFICE PARK FORT WAYNE, IN 46825

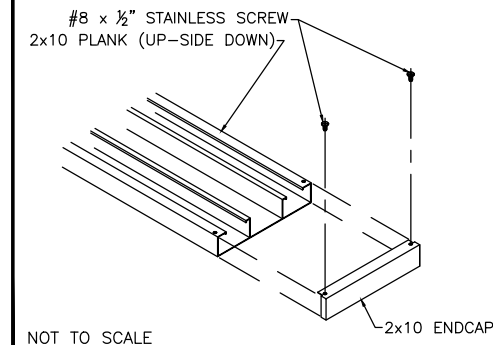
SCALE: N.T.S.	APPROVED BY: CHUCK 5/27/2016	DRAWN BY: JML
DATE: 4/21/15	TITLE: BLEACHER ASSEMBLY	
BLEACHER MODEL #: NB-0312APRF	DRAWING NUMBER: BA.1	

⊕ DBL. 2x10 ENDCAP ATTACHMENT

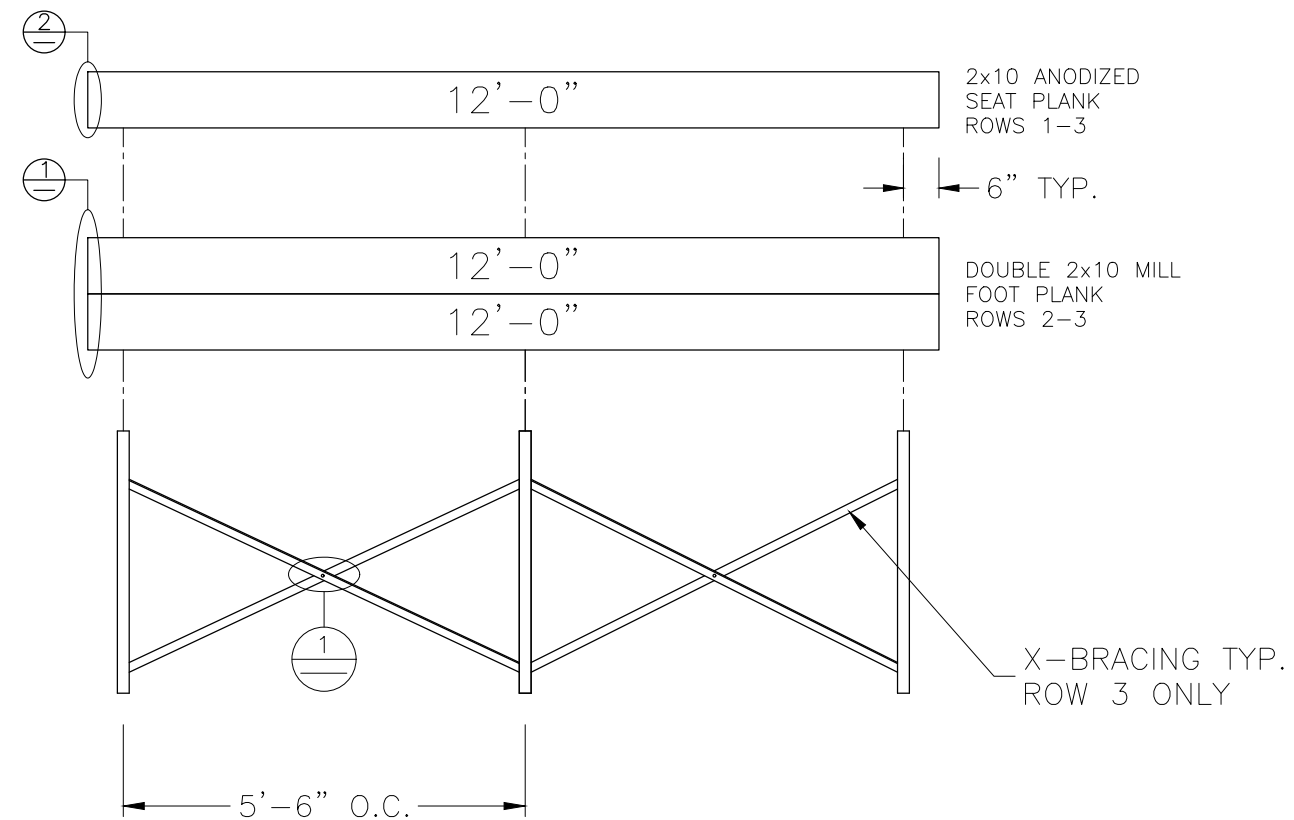


NOT TO SCALE

⊖ TYP 2x10 ENDCAP ATTACHMENT



NOT TO SCALE



This drawing and all information contained herein is the property of NATIONAL RECREATION SYSTEMS, INC. and is not to be reproduced without express written permission of this manufacturer. We assume no responsibility for unauthorized use of this drawing. National Recreation Systems, Inc. is not responsible for local permits and occupancy requirements.

National Recreation Systems, Inc.		
1300-D NORTH AIRPORT OFFICE PARK FORT WAYNE, IN 46825		
SCALE: N.T.S.	APPROVED BY: CHUCK	DRAWN BY: JML
DATE: 4/21/15	5/27/2016	
TITLE: PLANK & FRAMING PLAN		
BLEACHER MODEL #: NB-0312APRF	DRAWING NUMBER: PF.1	