

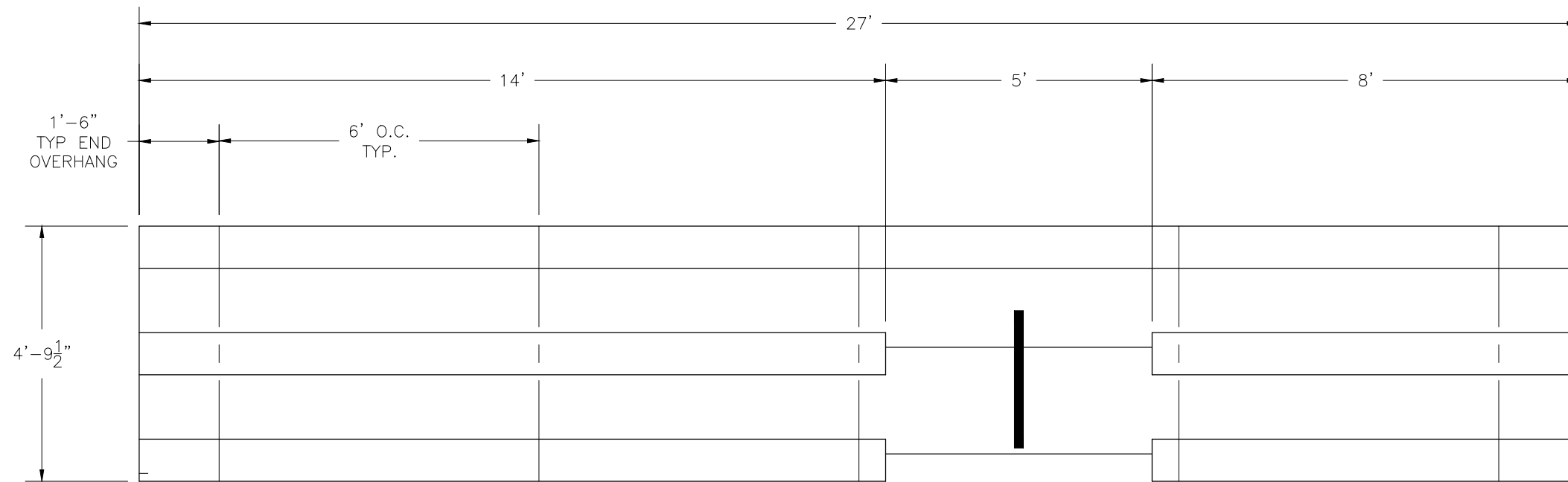
NB-0327ADLX

***NEW BLEACHER SEATING
NON-ELEV. ALUM. 3 ROW x 27'-0" BLEACHER***

National Recreation Systems, Inc.

1300-D AIRPORT NORTH OFFICE PARK - FORT WAYNE, IN 46825

CS.1	- COVER SHEET
TD.1	- BLEACHER SEATING PLAN
FP.1	- FOUNDATION PLAN
AP.1	- ANCHORING PLAN
BA.1	- BLEACHER ASSEMBLY
PF.1	- PLANK PLAN
VA.1	- VERTICAL AISLE ASSEMBLY
DS.1	- DETAIL SHEET

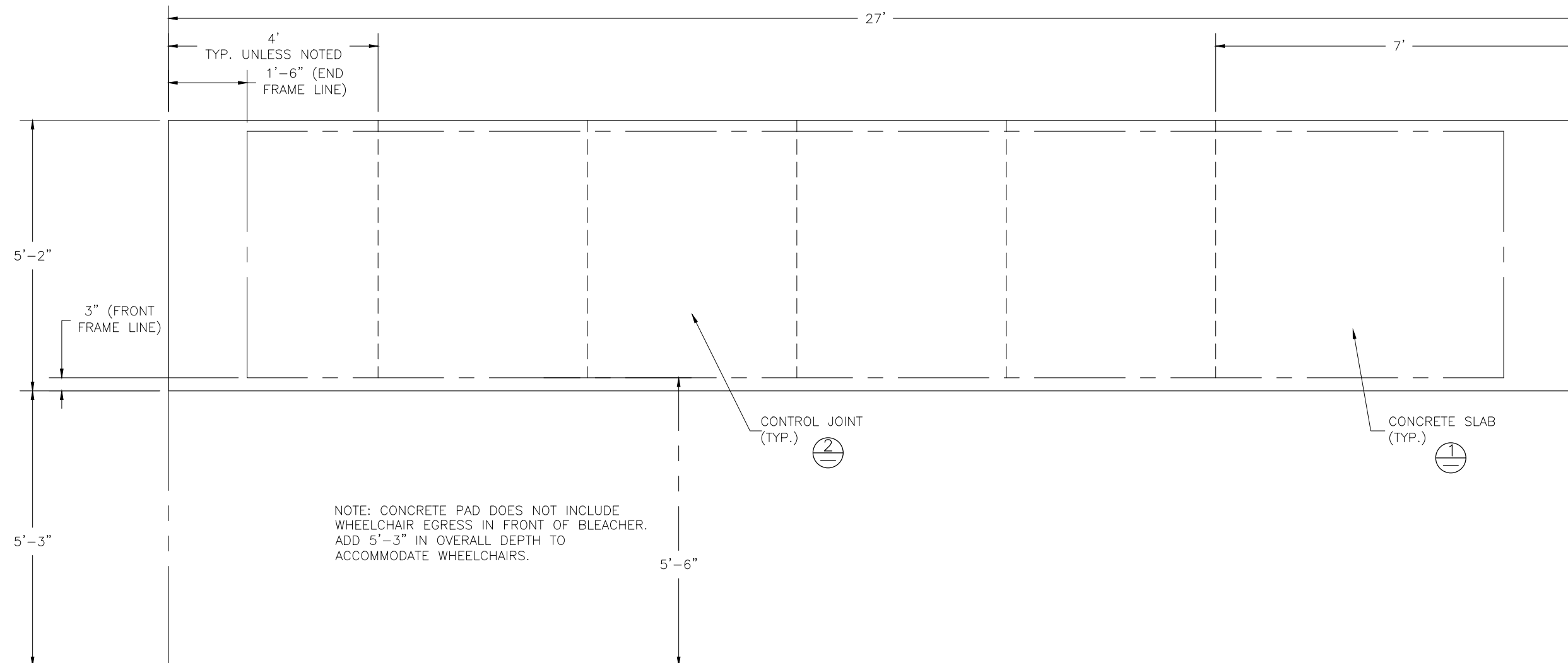


SECTION LENGTH	GROSS SEATS	ACTUAL SEATS	NO. OF ROWS	NET SEATS
27	18.00	18.00	1	18
14	9.33	9.00	2	18
8	5.33	5.00	2	10
NET SEATS				46
WHEELCHAIR SPACES				0
TOTAL NET SEATING CAPACITY				46
(BASED ON 18" PER SEAT)				

This drawing and all information contained herein is the property of NATIONAL RECREATION SYSTEMS, INC. and is not to be reproduced without express written permission of this manufacturer. We assume no responsibility for unauthorized use of this drawing. National Recreation Systems, Inc. is not responsible for local permits and occupancy requirements.

National Recreation Systems, Inc.
5120 INVESTMENT DRIVE - FORT WAYNE, IN 46808

SCALE: N.T.S.	APPROVED BY: CHUCK	DRAWN BY: JML
DATE: 04/29/2016	4/29/2016	
TITLE: NON ELEV 3 ROW x 27'-0" BLEACHER SEATING PLAN		
BLEACHER MODEL #: NB-0327ADLX	DRAWING NUMBER: TD.1	



CONCRETE FOUNDATION SPECIFICATIONS

SCOPE:

Foundation construction is not part of National Recreation Systems, Inc.'s (NRS) scope of work unless noted otherwise in the contract documents. The owner shall review the foundation design with the local code authorities, and coordinate with NRS.

FOUNDATION DESIGN & ANCHORS:

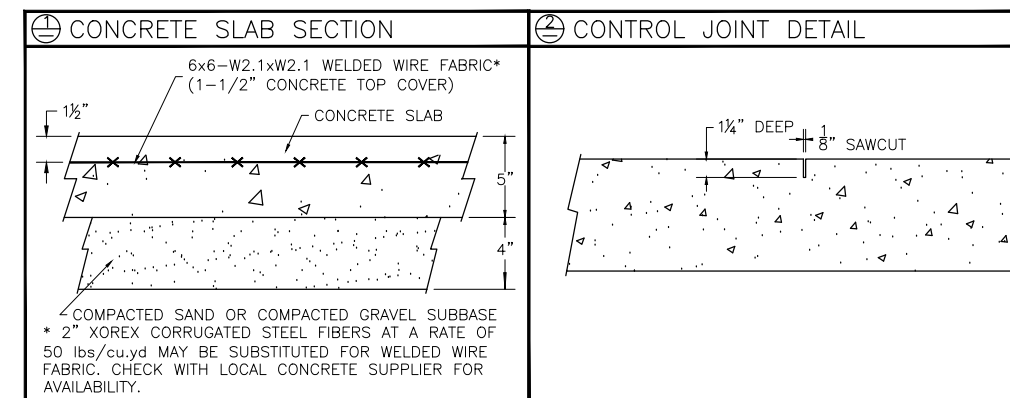
- 1) The foundation designs are based on the following:
 - a. Minimum presumed soil bearing 1000 psf.
 - b. Bleacher frame dead and live load 700 lbs./ft.
 - c. Bleacher frame wind uplift load 250 lbs./ft.
- 2) Unless otherwise noted on the drawings the bleacher frames shall be attached to the concrete with 3/8" dia. x 3" wedge type expansion anchors. The anchors shall be embedded a minimum of 2" into the concrete.

CONCRETE SPECIFICATIONS:

- 1) All concrete construction shall be in accordance with *ACI 318-08*.
- 2) All concrete shall have a minimum 28-day strength of $F_c=3000$ psi.
- 3) A 1/4" bituminous expansion joint material shall be placed between strip and slab foundations when adjacent to each other.
- 4) The depressions in the top of the foundations between high spots shall not exceed 5/16" below a 10-foot long straightedge. The 10-foot straightedge method used to measure foundation flatness shall be in accordance with Section of ACI 302.1R-04 "Guide for Concrete Floor and Slab Construction".

CONCRETE SLAB SPECIFICATIONS:

- 1) Concrete slab shall have a minimum thickness of 5" (NRS, Inc. recommends, and some areas may require 6" thickness) and placed on 4" of compacted gravel or compacted sand sub-base.
- 2) NRS, Inc. recommends that the concrete slab be reinforced with 6x6-W2.1xW2.1 welded wire fabric at 1 1/2" concrete cover from the top. In lieu of welded wire fabric, 2" XOREX by Ribbon Technology Corporation or equal corrugated steel fibers applied at a rate of 50-lbs./Cubic Yard may be used. Nylon or polypropylene fiber are not recommended.
- 3) Crack control joints shall be sawed into slab to form approximate square patterns. The maximum spacing for control joints shall not exceed 12'-6", unless shown otherwise on this drawing. The bleacher frames shall not be set on control joints. The designer shall contact NRS to coordinate joint spacing requirements with the specific bleacher design.
- 4) The slab may be sloped a maximum of 1/8 inch per foot for drainage. The maximum overall out of level slope for the slab perpendicular to the seats (front to rear) shall not exceed 2" and parallel to the seats (end to end) shall not exceed 4".

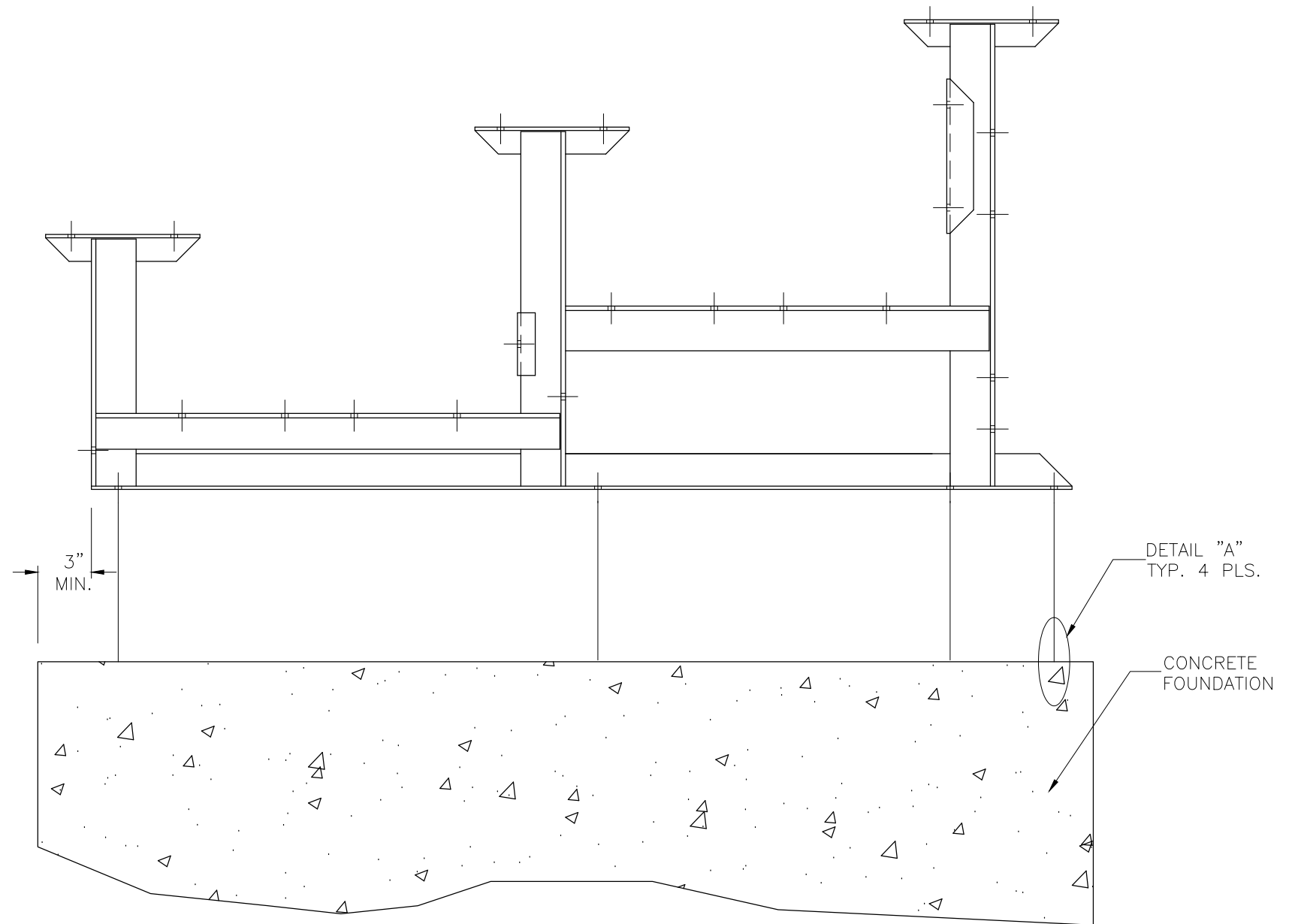
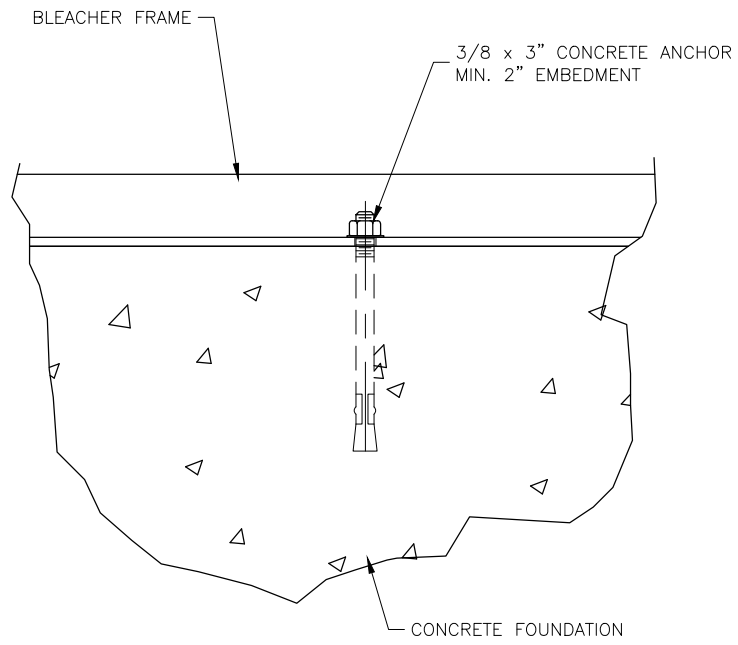


This drawing and all information contained herein is the property of NATIONAL RECREATION SYSTEMS, INC. and is not to be reproduced without express written permission of this manufacturer. We assume no responsibility for unauthorized use of this drawing. National Recreation Systems, Inc. is not responsible for local permits and occupancy requirements.

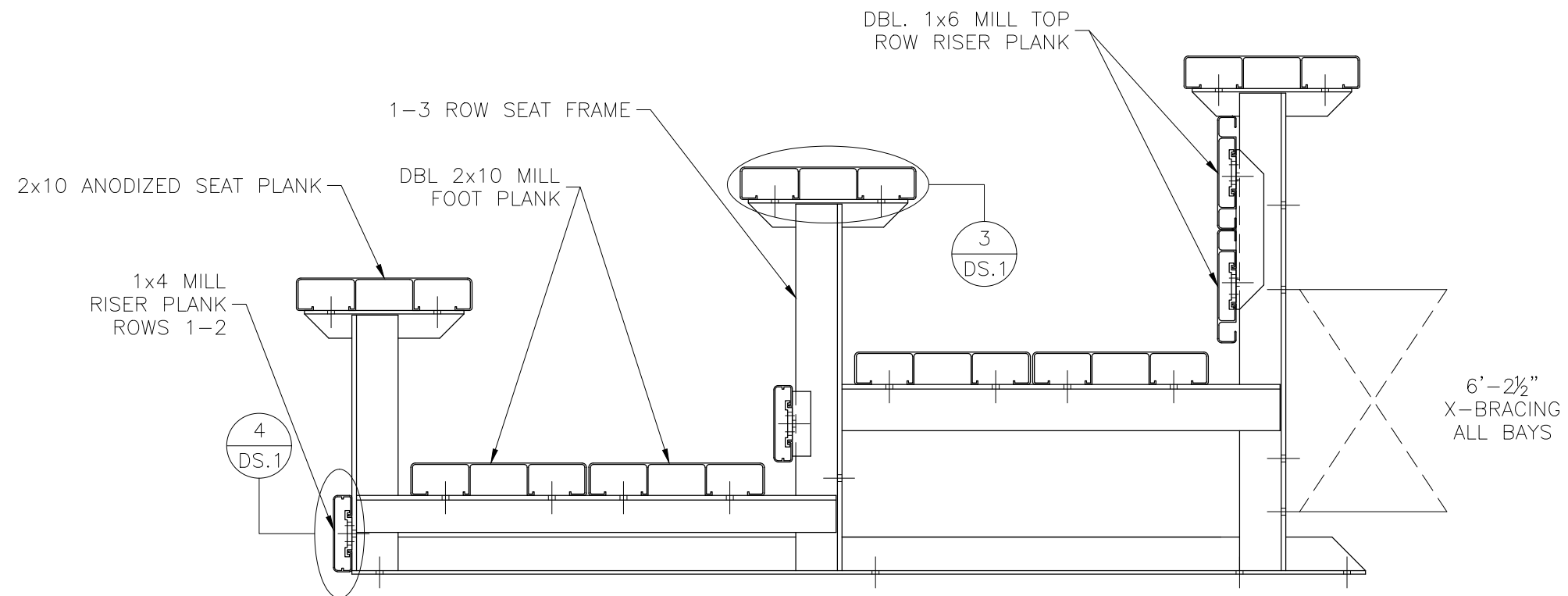
National Recreation Systems, Inc.
5120 INVESTMENT DRIVE - FORT WAYNE, IN 46808

SCALE: N.T.S.	APPROVED BY: CHUCK	DRAWN BY: JML
DATE: 04/29/2106	4/29/2016	
TITLE: NON ELEV 3 ROW x 27'-0" FOUNDATION PLAN		
BLEACHER MODEL #: NB-0327ADLX	DRAWING NUMBER: FP.1	

DETAIL "A" - CONC. ANCHOR ATTACHMENT

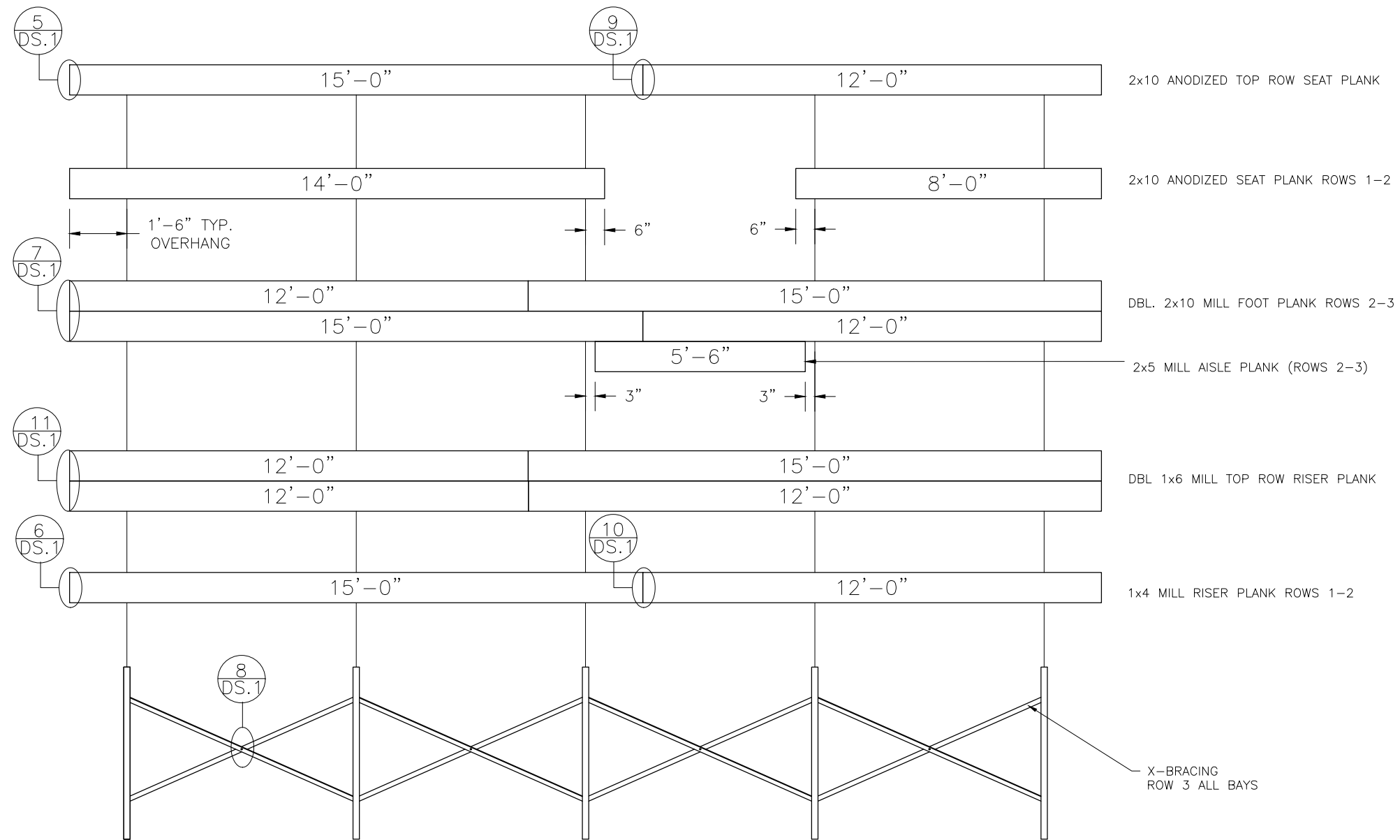


This drawing and all information contained herein is the property of NATIONAL RECREATION SYSTEMS, INC. and is not to be reproduced without express written permission of this manufacturer. We assume no responsibility for unauthorized use of this drawing. National Recreation Systems, Inc. is not responsible for local permits and occupancy requirements.				National Recreation Systems, Inc. 5120 INVESTMENT DRIVE - FORT WAYNE, IN 46808			
				SCALE: N.T.S.	APPROVED BY: CHUCK	DATE: 04/29/2016	4/29/2016
TITLE: ANCHORING PLAN		BLEACHER MODEL #: NB-0327ADLX		DRAWING NUMBER: AP.1			



This drawing and all information contained herein is the property of NATIONAL RECREATION SYSTEMS, INC. and is not to be reproduced without express written permission of this manufacturer. We assume no responsibility for unauthorized use of this drawing. National Recreation Systems, Inc. is not responsible for local permits and occupancy requirements.			National Recreation Systems, Inc.	
			5120 INVESTMENT DRIVE - FORT WAYNE, IN 46808	
SCALE: N.T.S.	APPROVED BY:	DRAWN BY:		
DATE: 04/29/2016	CHUCK 4/29/2016	JML		
TITLE:		BLEACHER ASSEMBLY		
BLEACHER MODEL #:	NB-0327ADLX	DRAWING NUMBER:		BA.1

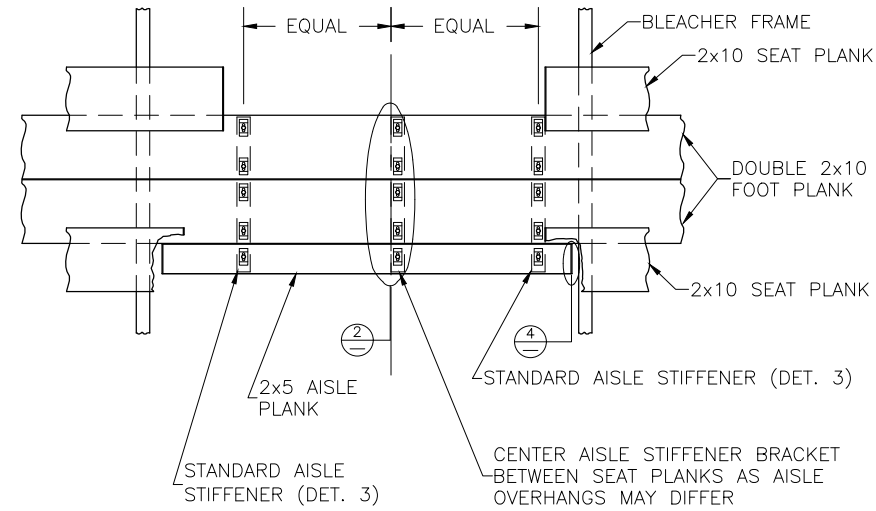
PLANK PLAN



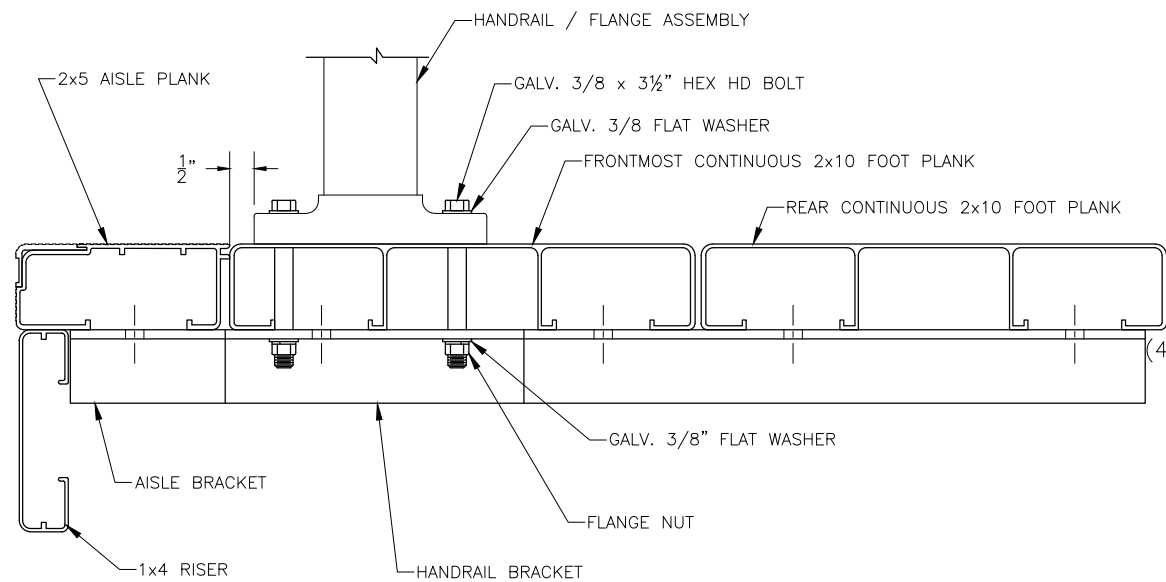
FRAMING PLAN

This drawing and all information contained herein is the property of NATIONAL RECREATION SYSTEMS, INC. and is not to be reproduced without express written permission of this manufacturer. We assume no responsibility for unauthorized use of this drawing. National Recreation Systems, Inc. is not responsible for local permits and occupancy requirements.			National Recreation Systems, Inc. 5120 INVESTMENT DRIVE - FORT WAYNE, IN 46808	
			SCALE: N.T.S.	APPROVED BY: CHUCK
DATE: 04/29/2016		4/29/2016		
TITLE: NON ELEV 3 ROW x 27'-0" PLANK & FRAMING PLAN				
BLEACHER MODEL #: NB-0327ADLX			DRAWING NUMBER: PF.1	

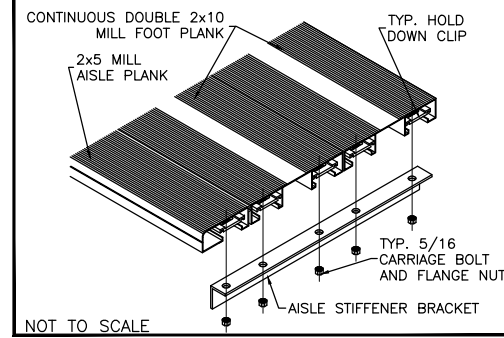
DETAIL "A" - AISLE PLAN TYP. ALL ROWS



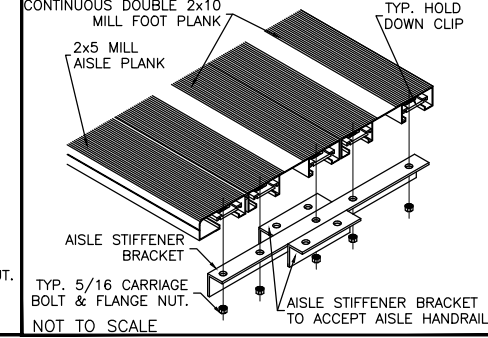
DETAIL A



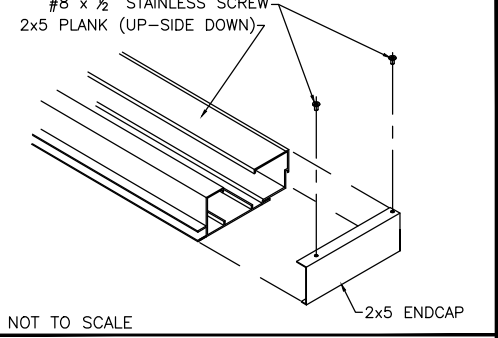
TYP. AISLE BKT DETAIL



FRONT AISLE H.R. BRACKET DETAIL

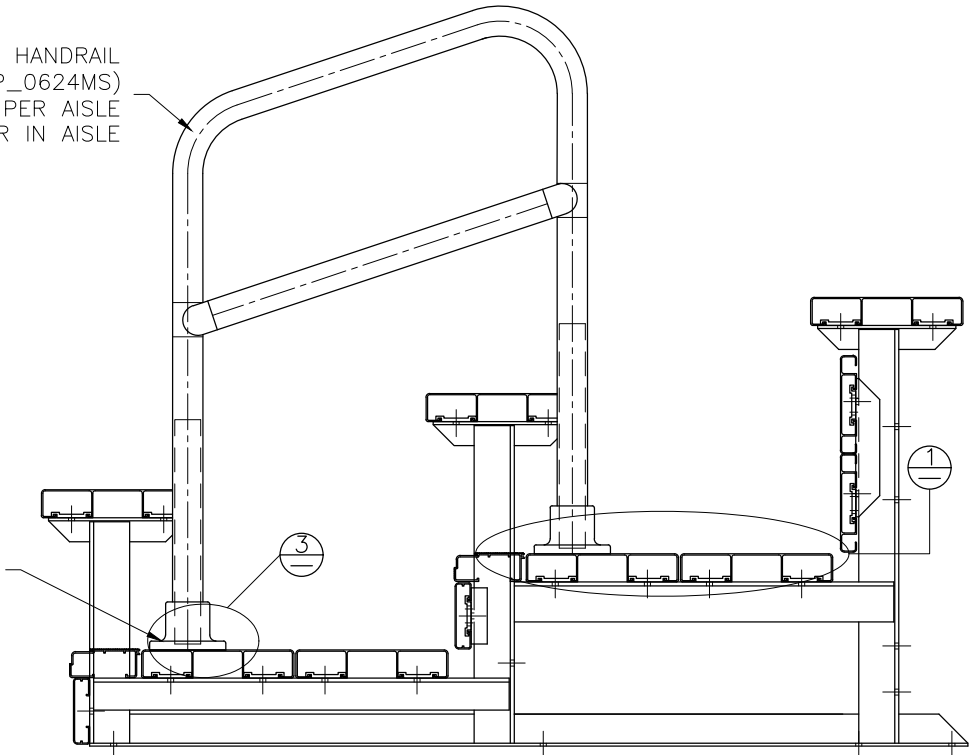


TYP 2x5 ENDCAP ATTACHMENT



2 ROW AISLE HANDRAIL (AH-2STEP_0624MS) TYP. 1 PER AISLE CENTER IN AISLE

ATTACH HANDRAIL WITH 3/8 x 3 1/2 HEX HEAD BOLT & FLANGE NUTS & (8) FLAT WASHERS (2) AH-ANGLES



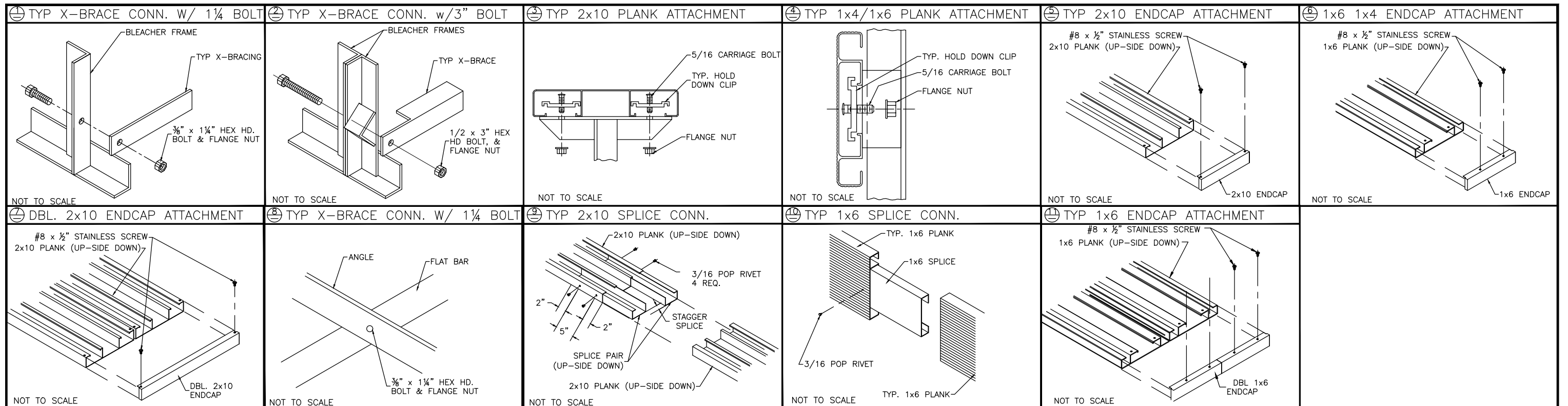
ALIGN EDGE OF FLANGE APPROX. 1/2" FROM THE LEADING EDGE OF THE FRONTMOST CONTINUOUS 2x10 FOOT PLANK (NOT THE 2x5 AISLE STEP PLANK). SLIGHTLY ADJUST FLANGE LOCATION, IF NECESSARY, SO THAT THE BOLT HOLE IS NOT DRILLED INTO A VERTICAL LEG OF THE PLANK. DRILL Ø7/16" HOLES (FOR 3/8" BOLT). ASSEMBLE AS SHOWN USING GALV. STEEL BOLTS, FLAT WASHERS, AND FLANGE NUTS.

National Recreation Systems, Inc.

5120 INVESTMENT DRIVE - FORT WAYNE, IN 46808

SCALE: N.T.S.	APPROVED BY: CHUCK 4/29/2016	DRAWN BY: JML
DATE: 04/29/2016	TITLE: VERTICAL AISLE ASSEMBLY	
BLEACHER MODEL #: NB-0327ADLX	DRAWING NUMBER: VA.1	

This drawing and all information contained herein is the property of NATIONAL RECREATION SYSTEMS, INC. and is not to be reproduced without express written permission of this manufacturer. We assume no responsibility for unauthorized use of this drawing. National Recreation Systems, Inc. is not responsible for local permits and occupancy requirements.



<p>This drawing and all information contained herein is the property of NATIONAL RECREATION SYSTEMS, INC. and is not to be reproduced without express written permission of this manufacturer. We assume no responsibility for unauthorized use of this drawing. National Recreation Systems, Inc. is not responsible for local permits and occupancy requirements.</p>			<p>National Recreation Systems, Inc. 5120 INVESTMENT DRIVE - FORT WAYNE, IN 46808</p>		
<p>SCALE: N.T.S. DATE: 04/29/2016</p>	<p>APPROVED BY: CHUCK 4/29/2016</p>	<p>DRAWN BY: JML</p>			
<p>TITLE: DETAIL SHEETS</p>					
<p>BLEACHER MODEL #: NB-0327ADLX</p>	<p>DRAWING NUMBER: DS.1</p>				