

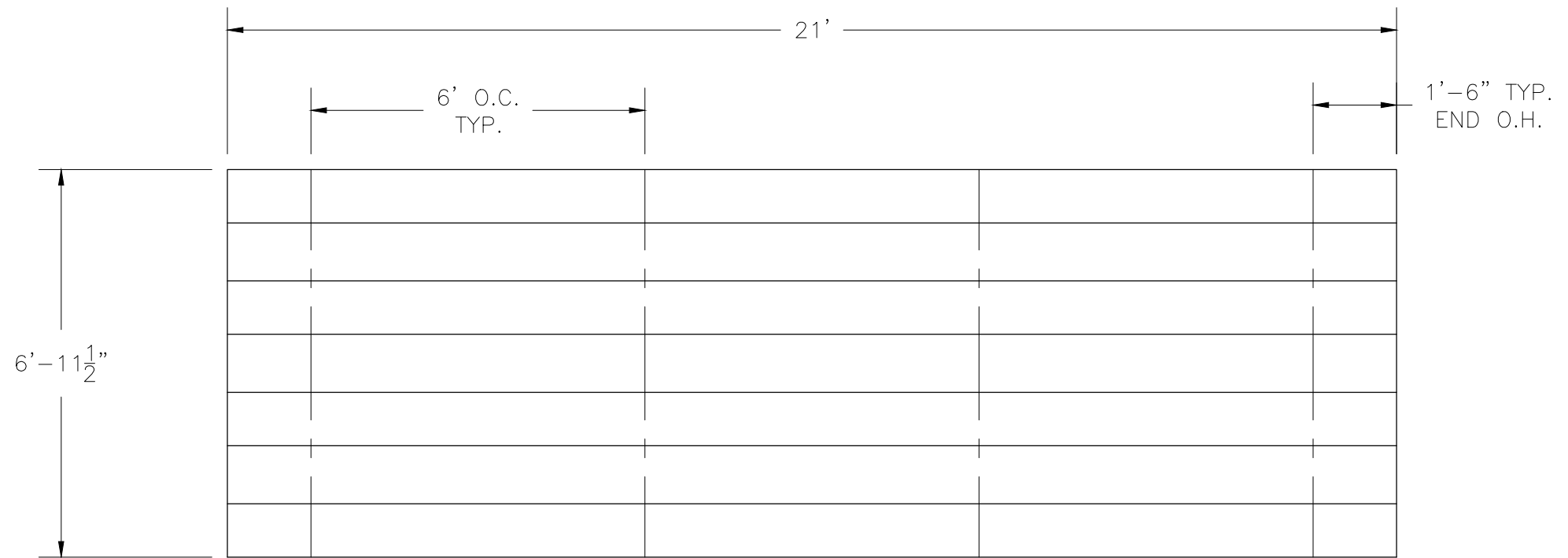
# ***NB-0421ALRPRF***

## ***NON. ELEV. 4 ROW 21' ALUM. LOW RISE BLEACHER***

**National Recreation Systems, Inc.**

1300-D NORTH AIRPORT OFFICE PARK FORT WAYNE, IN 46825

CS.1	- COVER SHEET
TD.1	- BLEACHER SEATING PLAN
FP.1	- FOUNDATION PLAN
AP.1	- ANCHORING PLAN
BA.1	- BLEACHER ASSEMBLY
PF.1	- PLANK & FRAMING PLAN
DS.1	- DETAIL SHEET

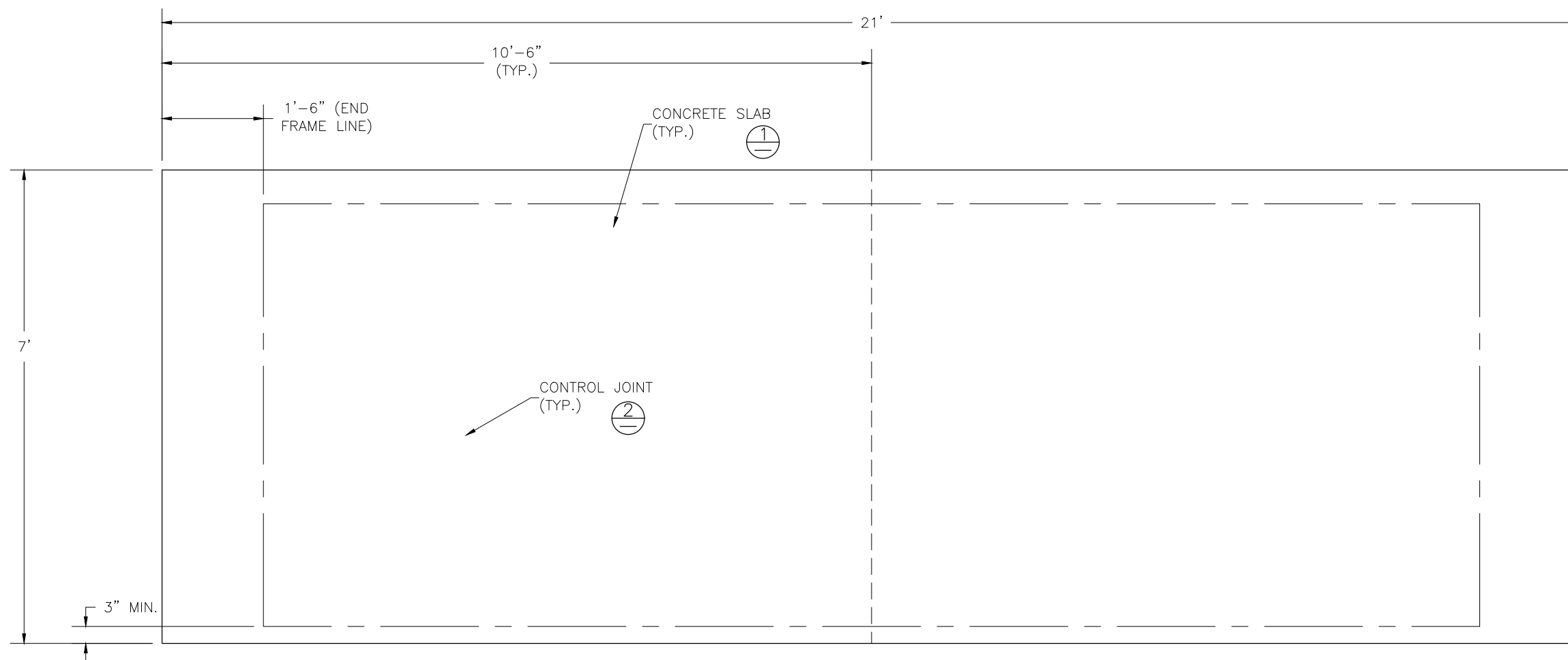


SECTION LENGTH	GROSS SEATS	ACTUAL SEATS	NO. OF ROWS	NET SEATS
21	14.00	14.00	4	56
			<b>NET SEATS</b>	<b>56</b>
			<b>WHEELCHAIR SPACES</b>	<b>0</b>
			<b>TOTAL NET SEATING CAPACITY (BASED ON 18" PER SEAT)</b>	<b>56</b>

This drawing and all information contained herein is the property of NATIONAL RECREATION SYSTEMS, INC. and is not to be reproduced without express written permission of this manufacturer. We assume no responsibility for unauthorized use of this drawing. National Recreation Systems, Inc. is not responsible for local permits and occupancy requirements.

**National Recreation Systems, Inc.**  
**1300-D NORTH AIRPORT OFFICE PARK FORT WAYNE, IN 46825**

SCALE: N.T.S.	APPROVED BY:	DRAWN BY: JML
DATE: 07/22/2016		
TITLE: NON ELEV. ALUM. 4 ROW X 21' BLEACHER SEATING PLAN		
BLEACHER MODEL #: NB-0421ALRPRF	DRAWING NUMBER: TD.1	



**CONCRETE FOUNDATION SPECIFICATIONS**

**SCOPE:**

Foundation construction is not part of National Recreation Systems, Inc.'s (NRS) scope of work unless noted otherwise in the contract documents. The owner shall review the foundation design with the local code authorities, and coordinate with NRS.

**FOUNDATION DESIGN & ANCHORS:**

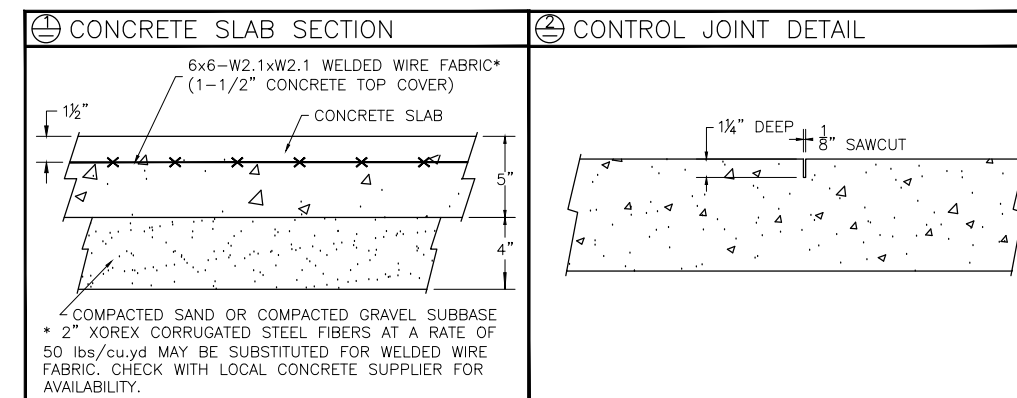
- 1) The foundation designs are based on the following:
  - a. Minimum presumed soil bearing 1000 psf.
  - b. Bleacher frame dead and live load 700 lbs./ft.
  - c. Bleacher frame wind uplift load 250 lbs./ft.
- 2) Unless otherwise noted on the drawings the bleacher frames shall be attached to the concrete with 3/8" dia. x 3" wedge type expansion anchors. The anchors shall be embedded a minimum of 2" into the concrete.

**CONCRETE SPECIFICATIONS:**

- 1) All concrete construction shall be in accordance with *ACI 318-08*.
- 2) All concrete shall have a minimum 28-day strength of  $F_c=3000$  psi.
- 3) A 1/4" bituminous expansion joint material shall be placed between strip and slab foundations when adjacent to each other.
- 4) The depressions in the top of the foundations between high spots shall not exceed 5/16" below a 10-foot long straightedge. The 10-foot straightedge method used to measure foundation flatness shall be in accordance with Section of ACI 302.1R-04 "Guide for Concrete Floor and Slab Construction".

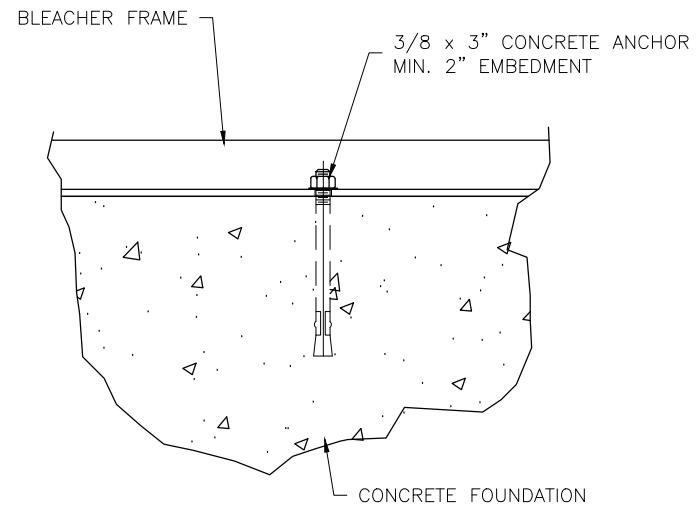
**CONCRETE SLAB SPECIFICATIONS:**

- 1) Concrete slab shall have a minimum thickness of 5" (NRS, Inc. recommends, and some areas may require 6" thickness) and placed on 4" of compacted gravel or compacted sand sub-base.
- 2) NRS, Inc. recommends that the concrete slab be reinforced with 6x6-W2.1xW2.1 welded wire fabric at 1 1/2" concrete cover from the top. In lieu of welded wire fabric, 2" XOREX by Ribbon Technology Corporation or equal corrugated steel fibers applied at a rate of 50-lbs./Cubic Yard may be used. Nylon or polypropylene fiber are not recommended.
- 3) Crack control joints shall be sawed into slab to form approximate square patterns. The maximum spacing for control joints shall not exceed 12'-6", unless shown otherwise on this drawing. The bleacher frames shall not be set on control joints. The designer shall contact NRS to coordinate joint spacing requirements with the specific bleacher design.
- 4) The slab may be sloped a maximum of 1/8 inch per foot for drainage. The maximum overall out of level slope for the slab perpendicular to the seats (front to rear) shall not exceed 2" and parallel to the seats (end to end) shall not exceed 4".

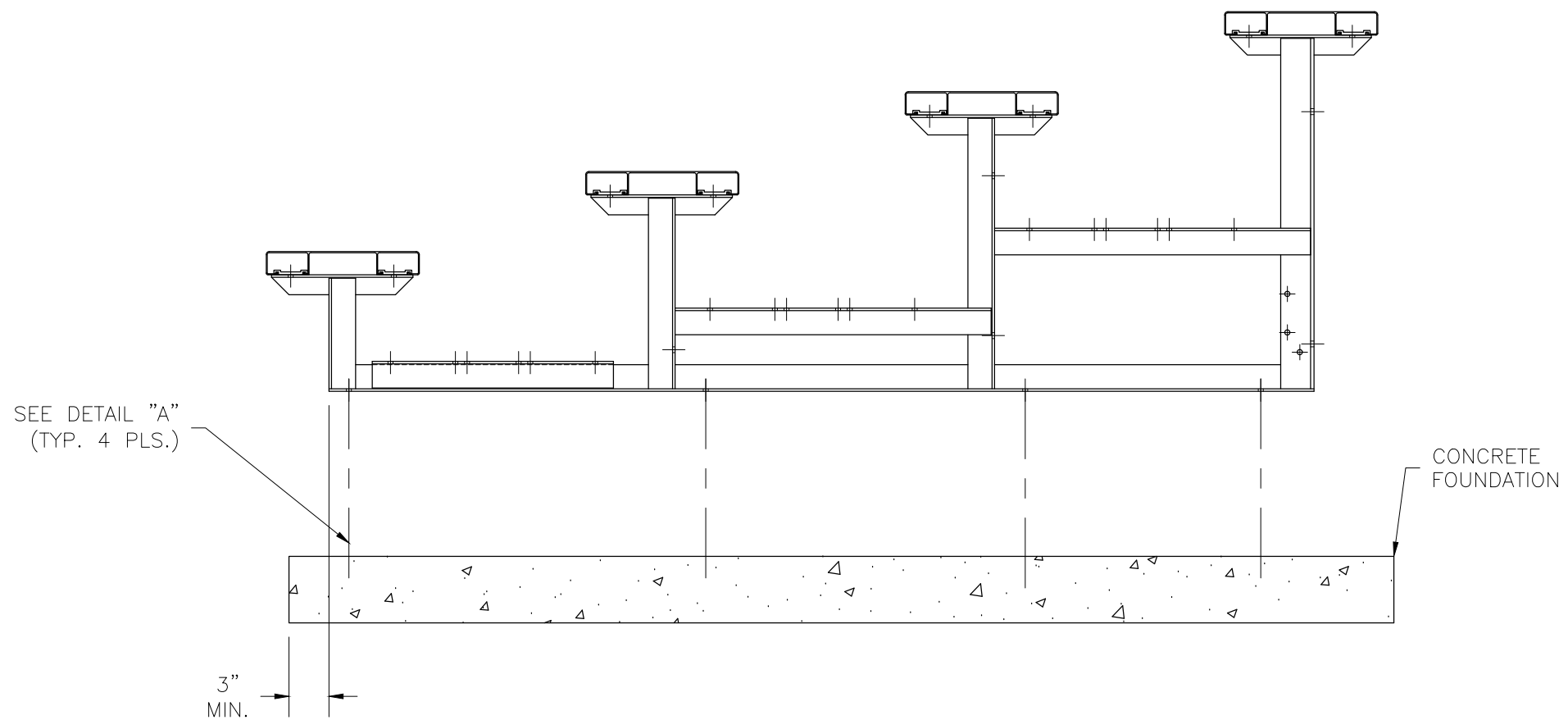


This drawing and all information contained herein is the property of NATIONAL RECREATION SYSTEMS, INC. and is not to be reproduced without express written permission of this manufacturer. We assume no responsibility for unauthorized use of this drawing. National Recreation Systems, Inc. is not responsible for local permits and occupancy requirements.

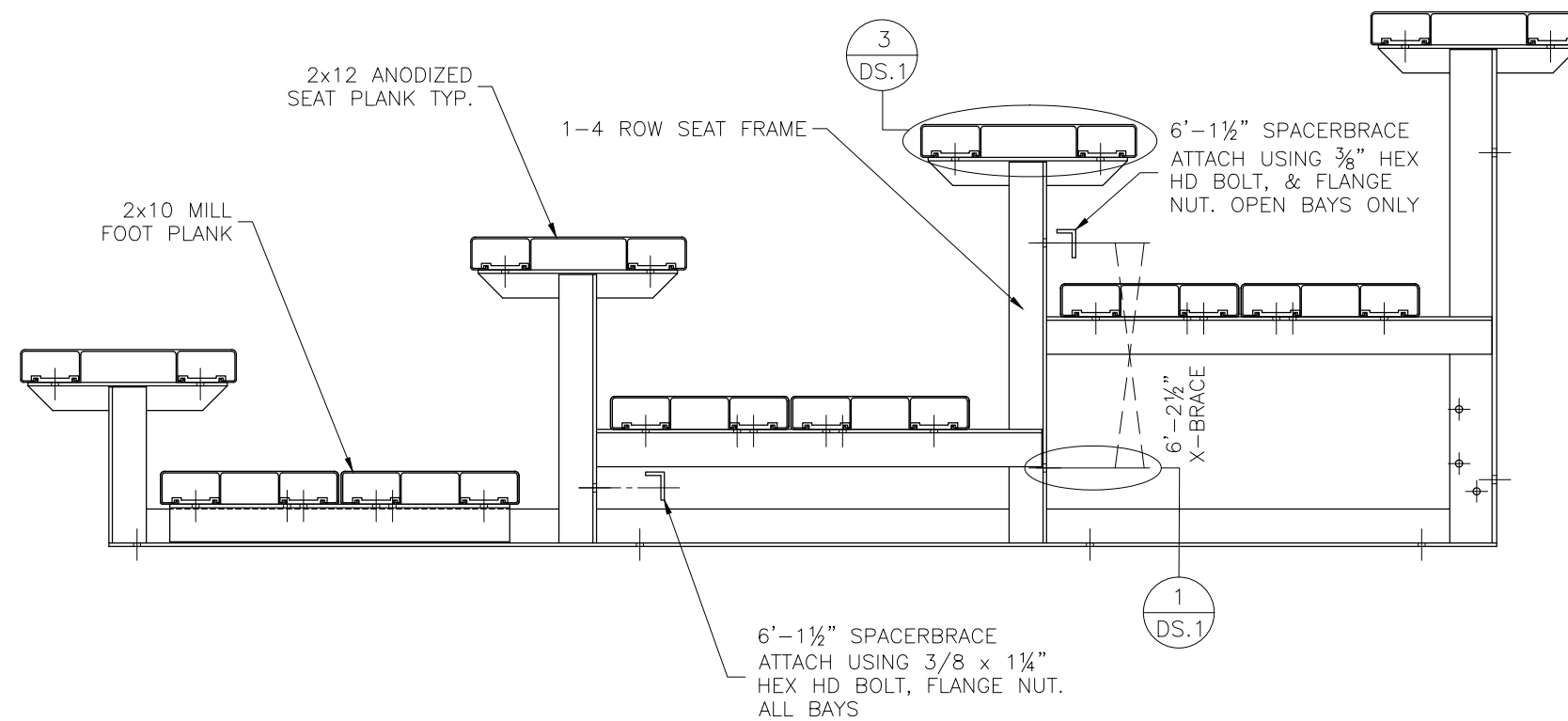
<b>National Recreation Systems, Inc.</b>		
1300-D NORTH AIRPORT OFFICE PARK FORT WAYNE, IN 46825		
SCALE: N.T.S.	APPROVED BY:	DRAWN BY: JML
DATE: 07/22/2016		
TITLE: NON ELEV. ALUM. 4 ROW X 21' FOUNDATION PLAN		
BLEACHER MODEL #: NB-0421ALRPRF	DRAWING NUMBER: FP.1	



DETAIL A

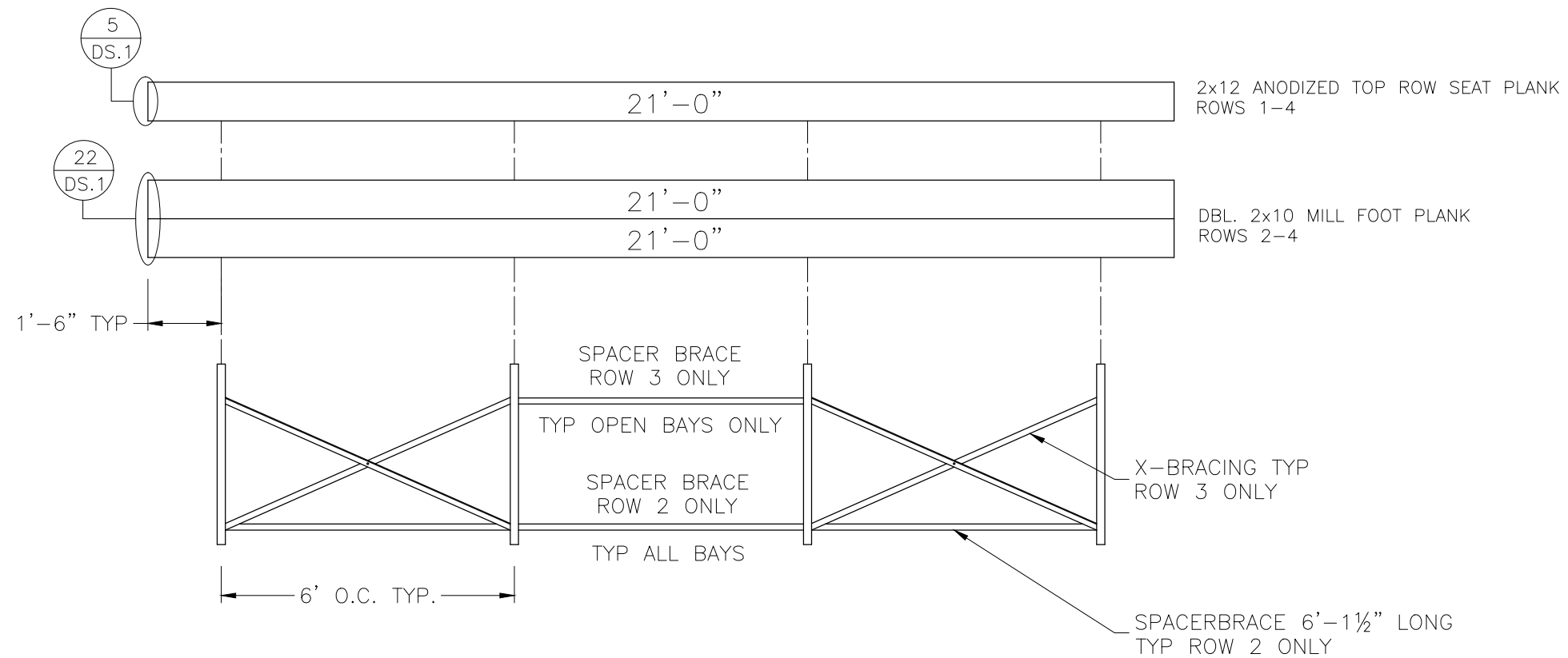


<p>This drawing and all information contained herein is the property of NATIONAL RECREATION SYSTEMS, INC. and is not to be reproduced without express written permission of this manufacturer. We assume no responsibility for unauthorized use of this drawing. National Recreation Systems, Inc. is not responsible for local permits and occupancy requirements.</p>			<p><b>National Recreation Systems, Inc.</b>  <b>1300-D NORTH AIRPORT OFFICE PARK FORT WAYNE, IN 46825</b></p>		
SCALE:	N.T.S.	APPROVED BY:	DRAWN BY: JML		
DATE:	07/22/2016	TITLE:			NON ELEV. 4 ROW X 21' ANCHORING PLAN
BLEACHER MODEL #:		NB-0421ALRPRF		DRAWING NUMBER: AP.1	



<p>This drawing and all information contained herein is the property of NATIONAL RECREATION SYSTEMS, INC. and is not to be reproduced without express written permission of this manufacturer. We assume no responsibility for unauthorized use of this drawing. National Recreation Systems, Inc. is not responsible for local permits and occupancy requirements.</p>			<b>National Recreation Systems, Inc.</b> 1300-D NORTH AIRPORT OFFICE PARK FORT WAYNE, IN 46825	
			SCALE: N.T.S.	APPROVED BY:
DATE: 07/22/2016				
TITLE: NON ELEV. 4 ROW X 21' BLEACHER ASSEMBLY				
BLEACHER MODEL #: NB-0421ALRPRF			DRAWING NUMBER: BA.1	

## PLANK PLAN

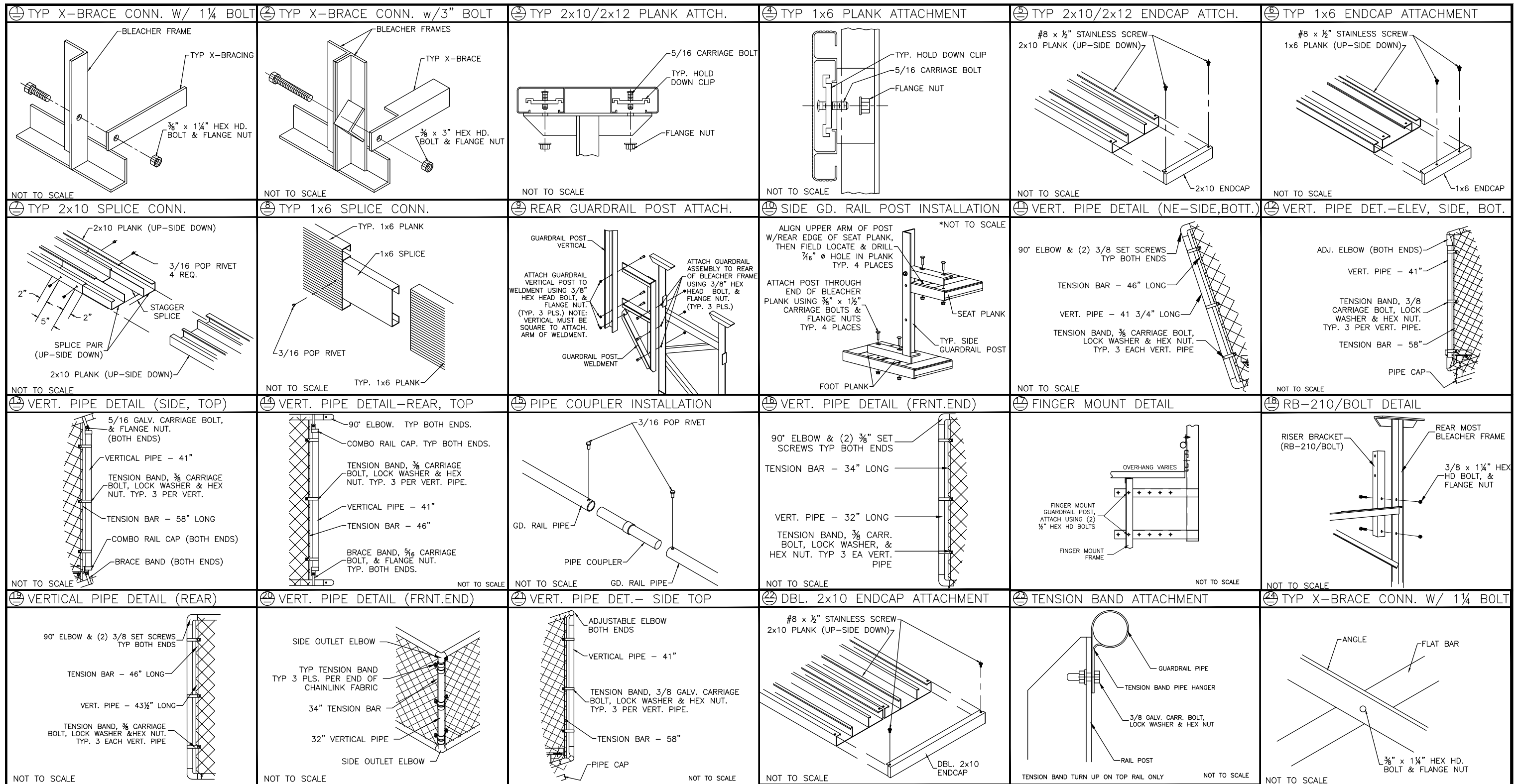


This drawing and all information contained herein is the property of NATIONAL RECREATION SYSTEMS, INC. and is not to be reproduced without express written permission of this manufacturer. We assume no responsibility for unauthorized use of this drawing. National Recreation Systems, Inc. is not responsible for local permits and occupancy requirements.

### National Recreation Systems, Inc.

1300-D NORTH AIRPORT OFFICE PARK FORT WAYNE, IN 46825

SCALE: N.T.S.	APPROVED BY:	DRAWN BY: JML	
DATE: 07/22/2016			
TITLE: NON ELEV. ALUM. 4 ROW X 21' PLANK & FRAMING PLAN			
BLEACHER MODEL #: NB-0421ALRPRF	DRAWING NUMBER:		PF.1



<p>This drawing and all information contained herein is the property of NATIONAL RECREATION SYSTEMS, INC. and is not to be reproduced without express written permission of this manufacturer. We assume no responsibility for unauthorized use of this drawing. National Recreation Systems, Inc. is not responsible for local permits and occupancy requirements.</p>				<p><b>National Recreation Systems, Inc.</b> 1300-D NORTH AIRPORT OFFICE PARK FORT WAYNE, IN 46825</p>	
<p>SCALE: N.T.S.</p>	<p>APPROVED BY:</p>	<p>DRAWN BY: JML</p>			
<p>DATE: 07/22/2016</p>	<p>TITLE: DETAIL SHEETS</p>				
<p>BLEACHER MODEL #: NB-0421ALRPRF</p>		<p>DRAWING NUMBER: DS.1</p>			