

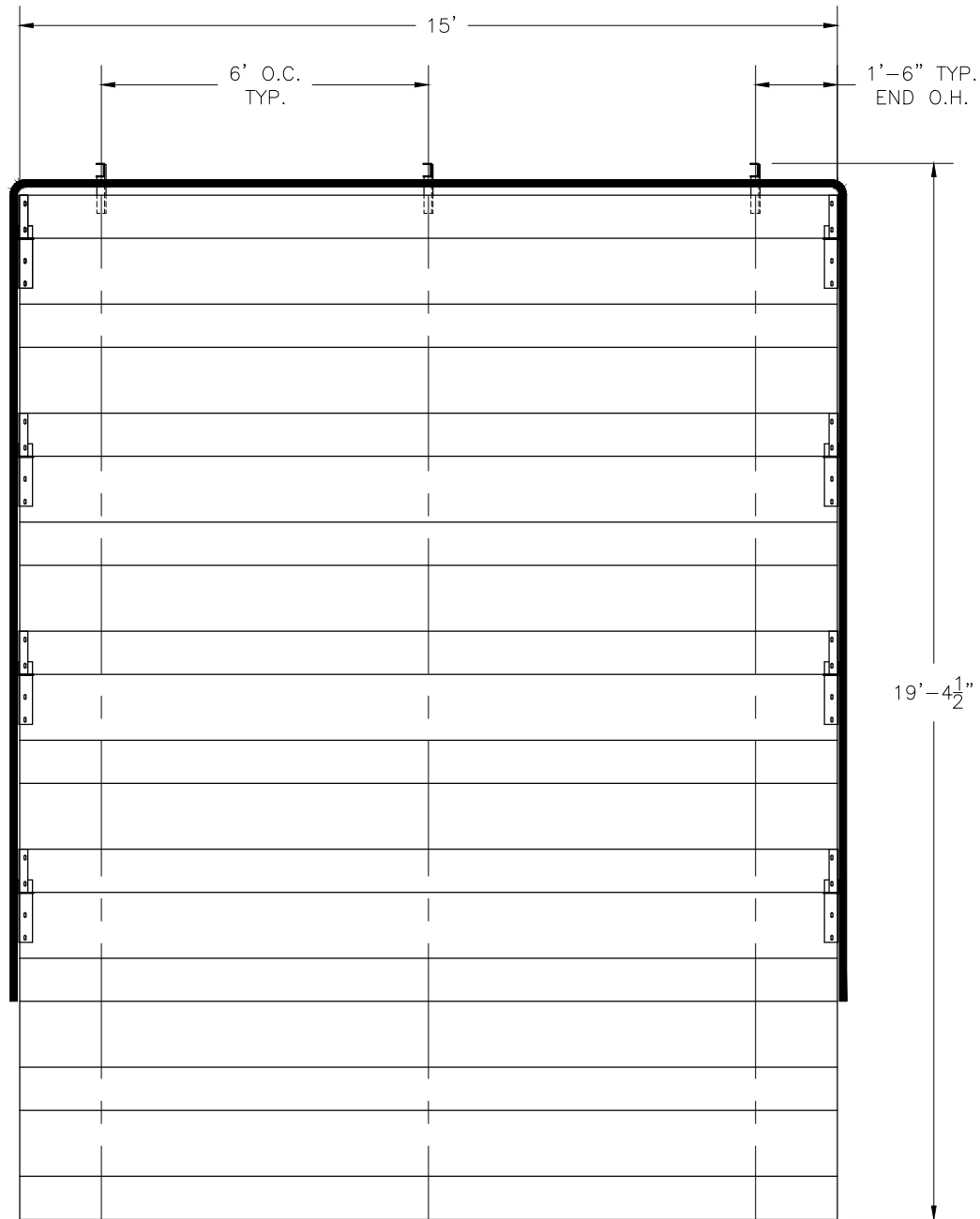
NB-1015GTPPRF/CL

NON ELEVATED 10 ROW x 15'-0" BLEACHER

National Recreation Systems, Inc.

5120 INVESTMENT DRIVE - FORT WAYNE, IN 46808

CS.1	- COVER SHEET
TD.1	- BLEACHER SEATING PLAN
GS.1	- GROUND SILL PLAN
BA.1	- BLEACHER ASSEMBLY
PF.1	- PLANK & FRAMING PLAN
TA.1	- TRANSPORT KIT ASSEMBLY (ROWS 1-5)
TA.2	- TRANSPORT KIT ASSEMBLY (ROWS 6-10)
TA.3	- TRANSPORT KIT ASSEMBLY
GR.1	- GUARDRAIL ASSEMBLY
DS.1	- DETAIL SHEET



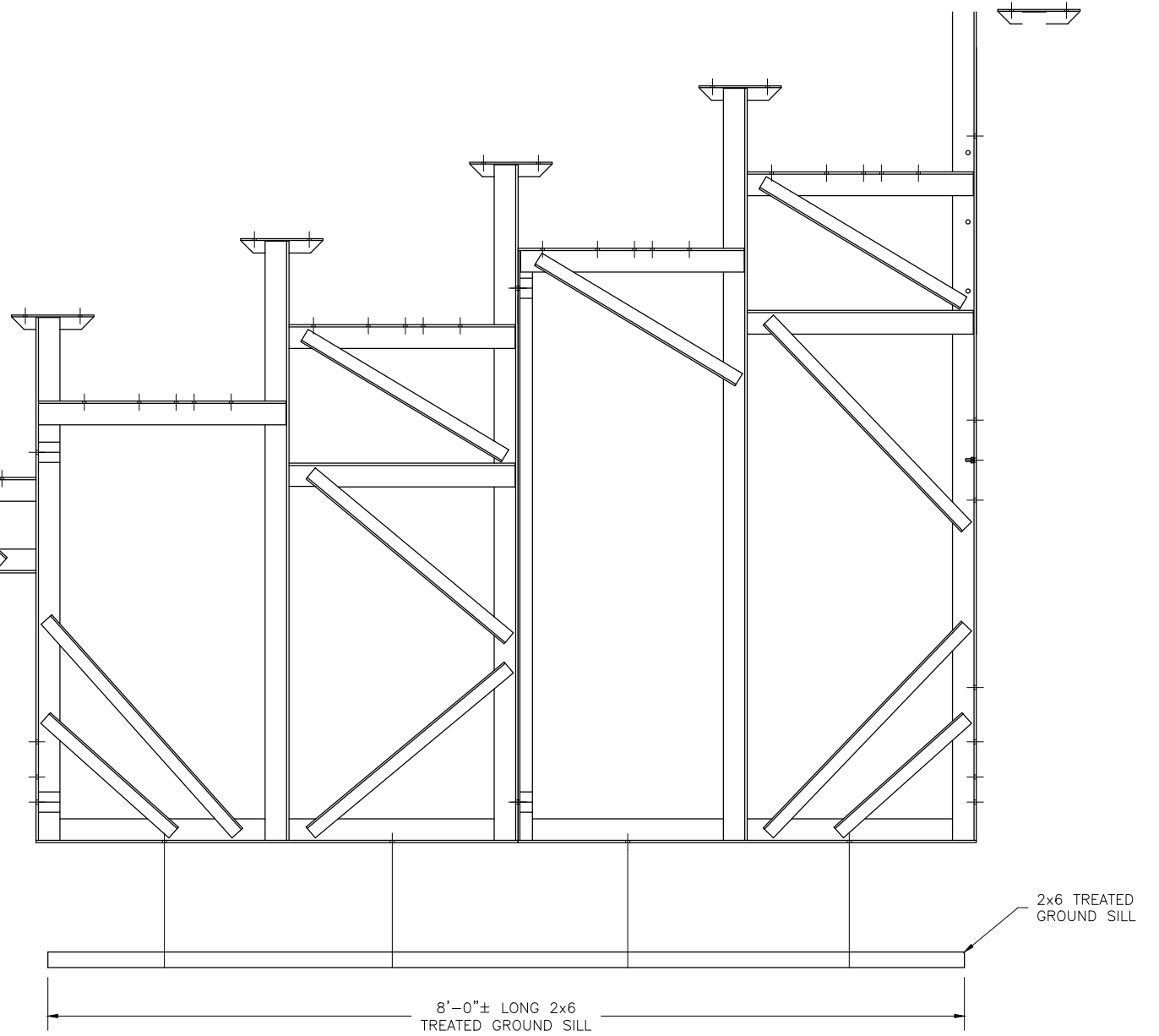
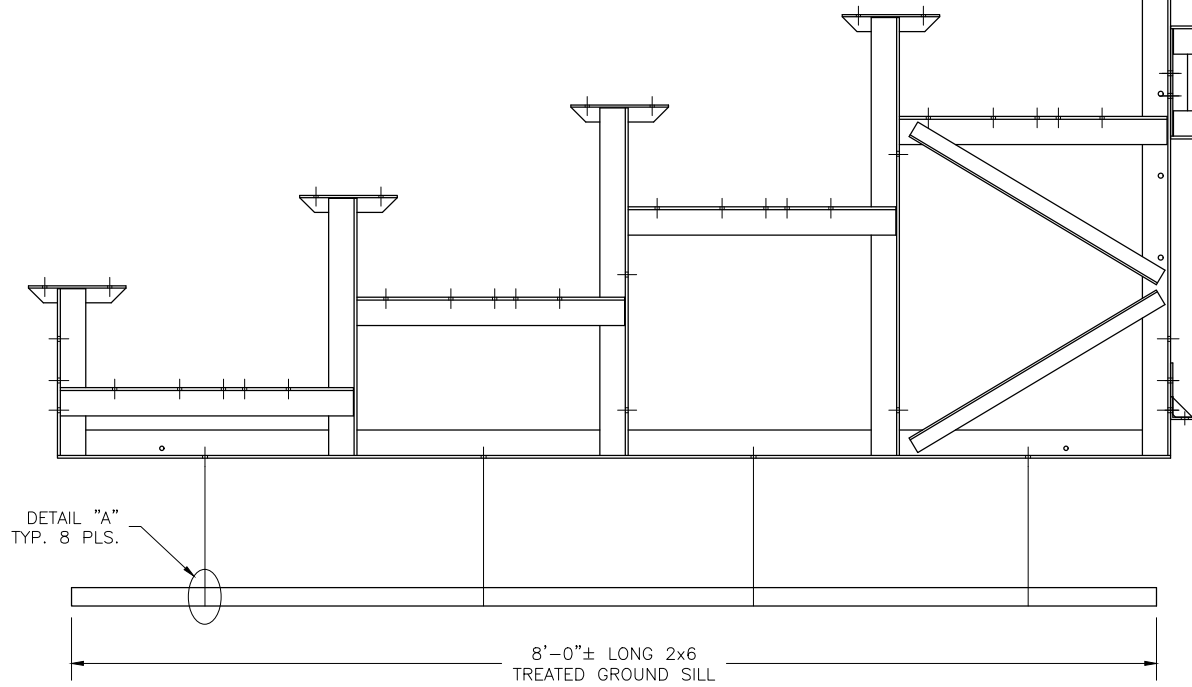
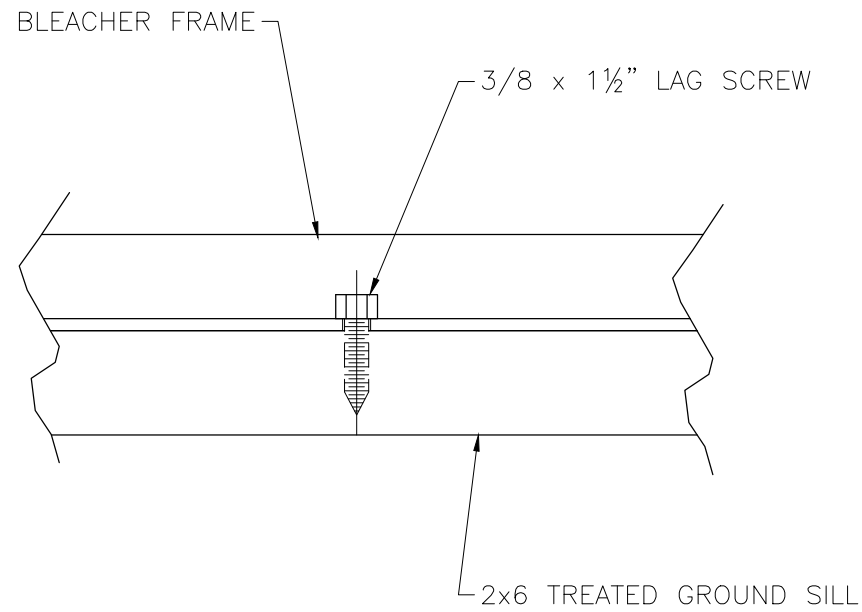
SECTION LENGTH	GROSS SEATS	ACTUAL SEATS	NO. OF ROWS	NET SEATS
15	10.00	10.00	10	100
				NET SEATS 100
				WHEELCHAIR SPACES 0
				TOTAL NET SEATING CAPACITY 100
				(BASED ON 18" PER SEAT)

This drawing and all information contained herein is the property of NATIONAL RECREATION SYSTEMS, INC. and is not to be reproduced without express written permission of this manufacturer. We assume no responsibility for unauthorized use of this drawing. National Recreation Systems, Inc. is not responsible for local permits and occupancy requirements.

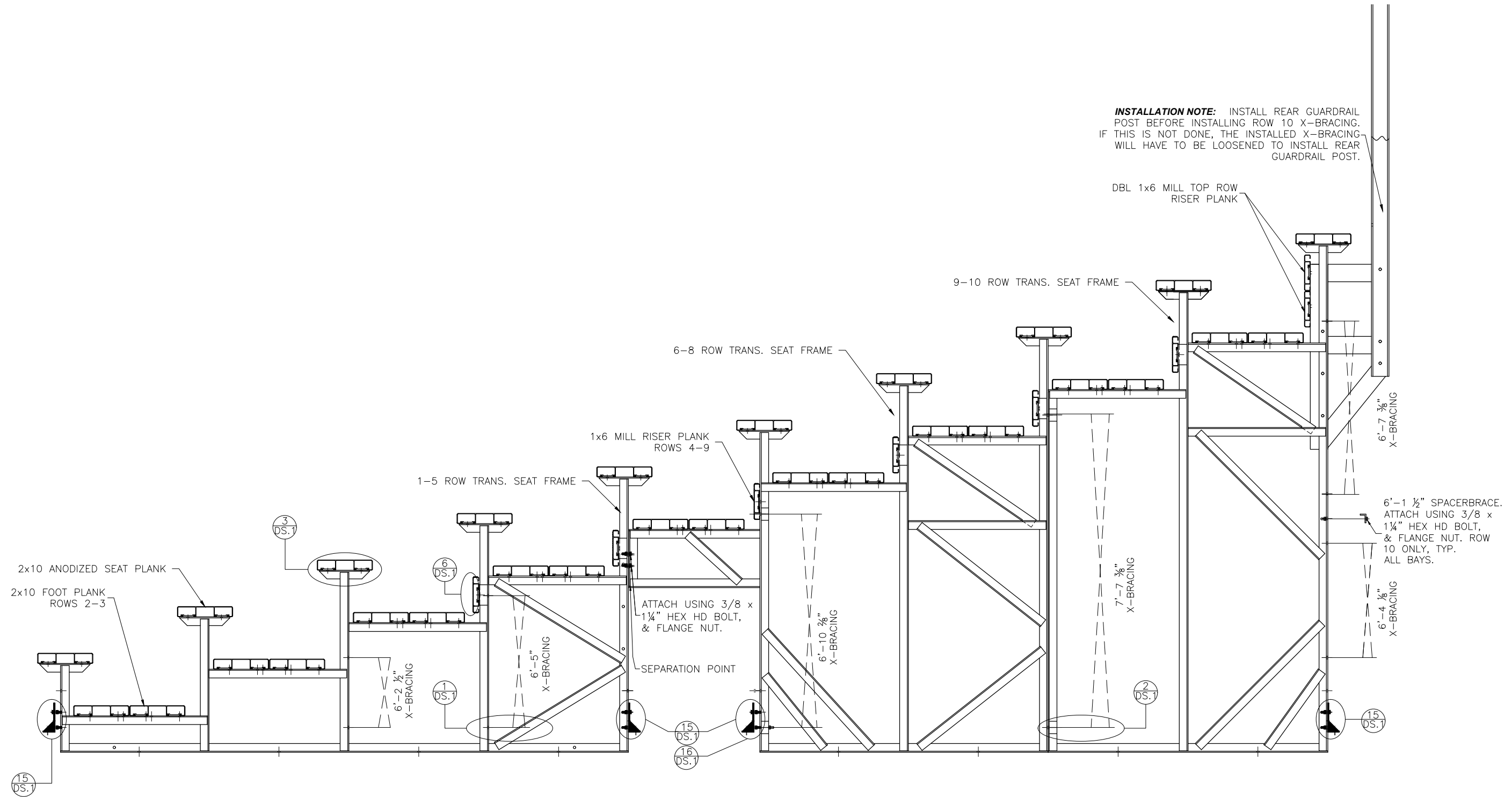
National Recreation Systems, Inc.
5120 INVESTMENT DRIVE - FORT WAYNE, IN 46808

SCALE: N.T.S.	APPROVED BY:	DRAWN BY: NN
DATE: 11/24/15		
TITLE: NON ELEVATED 10 ROW x 15'-0" BLEACHER SEATING PLAN		
BLEACHER MODEL #: NB-1015GTPPRF/CL	DRAWING NUMBER: TD.1	

DETAIL "A"



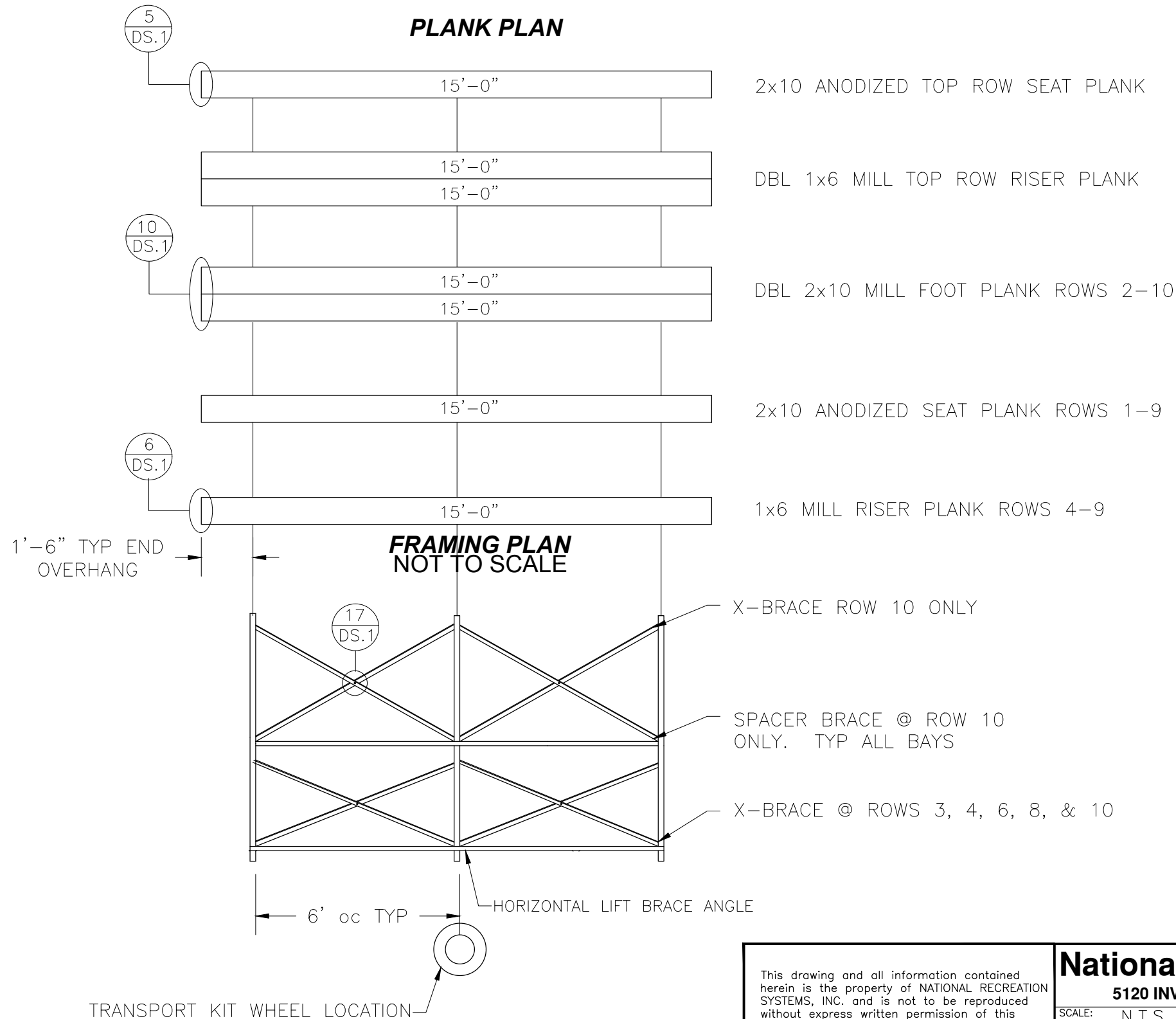
<p>This drawing and all information contained herein is the property of NATIONAL RECREATION SYSTEMS, INC. and is not to be reproduced without express written permission of this manufacturer. We assume no responsibility for unauthorized use of this drawing. National Recreation Systems, Inc. is not responsible for local permits and occupancy requirements.</p>			<p>National Recreation Systems, Inc. 5120 INVESTMENT DRIVE - FORT WAYNE, IN 46808</p>		
SCALE:	N.T.S.	APPROVED BY:	DRAWN BY:		NN
DATE:	11/24/15	TITLE:		NON ELEVATED 10 ROW x 15'-0" ANCHORING ASSEMBLY	
BLEACHER MODEL #:			DRAWING NUMBER:		GS.1
			NB-1015GTPPRF/CL		



This drawing and all information contained herein is the property of NATIONAL RECREATION SYSTEMS, INC. and is not to be reproduced without express written permission of this manufacturer. We assume no responsibility for unauthorized use of this drawing. National Recreation Systems, Inc. is not responsible for local permits and occupancy requirements.

National Recreation Systems, Inc.
 5120 INVESTMENT DRIVE - FORT WAYNE, IN 46808

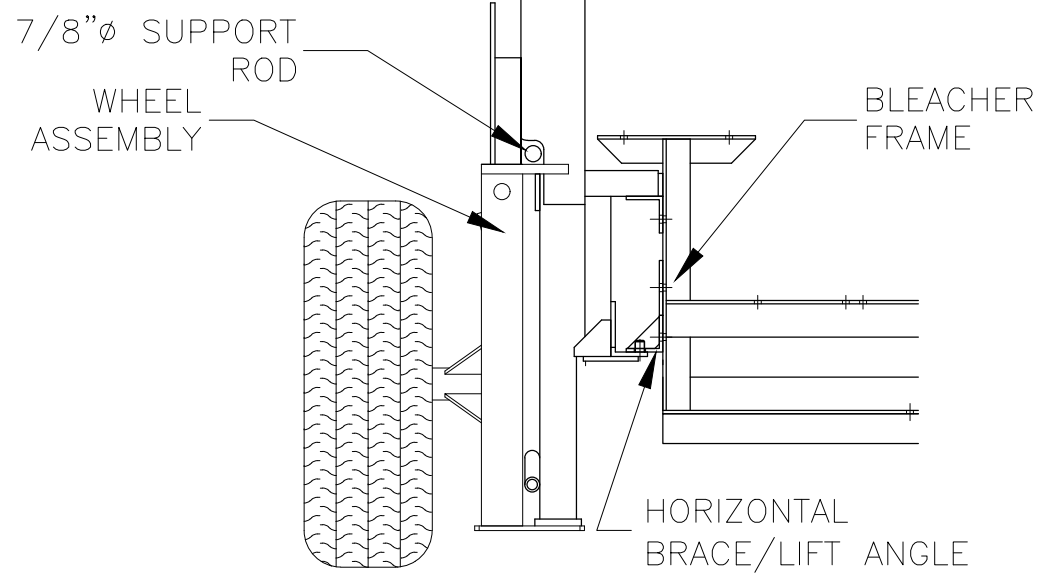
SCALE: N.T.S.	APPROVED BY:	DRAWN BY: NN
DATE: 11/24/15		
TITLE: NON ELEVATED 10 ROW x 15'-0" BLEACHER ASSEMBLY		
BLEACHER MODEL #: NB-1015GTPrf/CL	DRAWING NUMBER: BA.1	



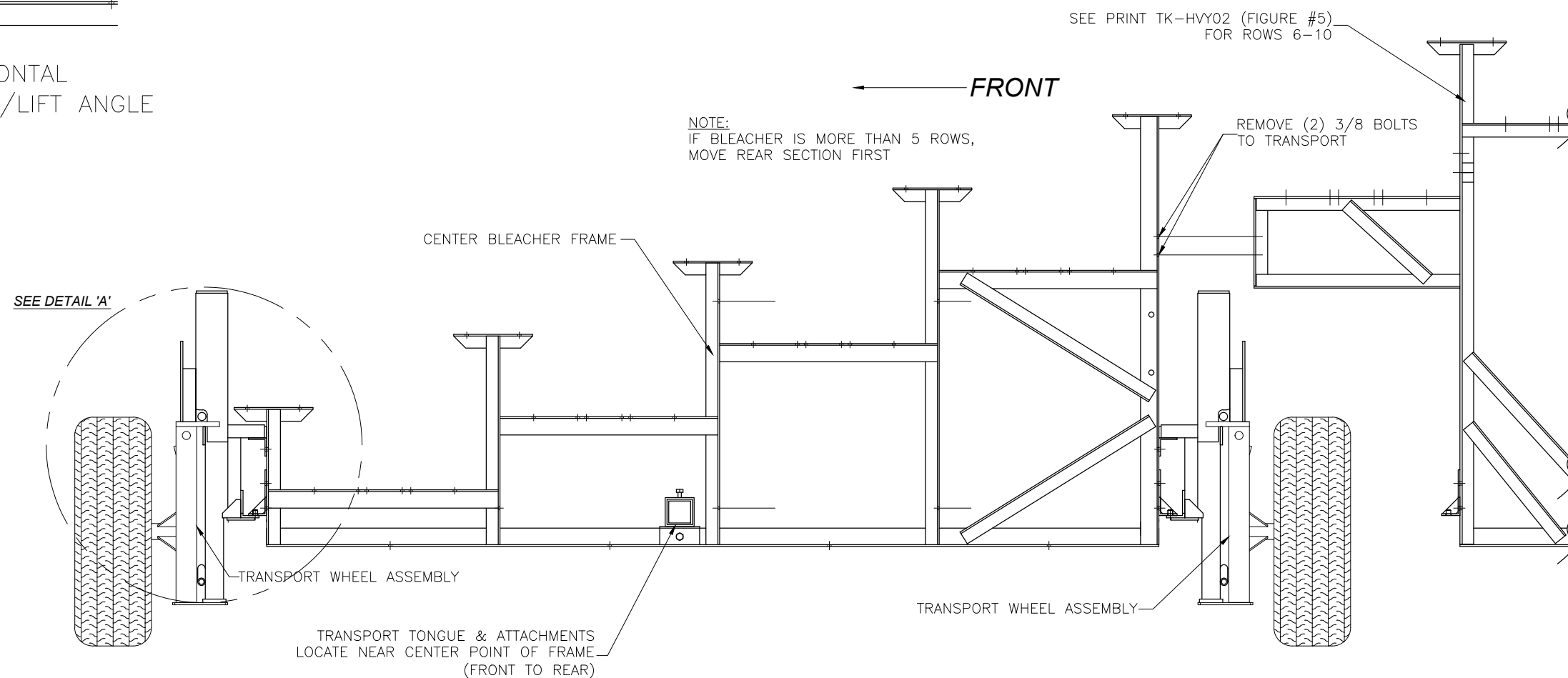
This drawing and all information contained herein is the property of NATIONAL RECREATION SYSTEMS, INC. and is not to be reproduced without express written permission of this manufacturer. We assume no responsibility for unauthorized use of this drawing. National Recreation Systems, Inc. is not responsible for local permits and occupancy requirements.

National Recreation Systems, Inc.		
5120 INVESTMENT DRIVE - FORT WAYNE, IN 46808		
SCALE: N.T.S.	APPROVED BY:	DRAWN BY: NN
DATE: 11/24/15		
TITLE: NON ELEVATED 10 ROW x 15'-0" PLANK & FRAMING PLAN		
BLEACHER MODEL #: NB-1015GTPPRF/CL	DRAWING NUMBER: PF.1	

DETAIL 'A'



ROWS 1-5



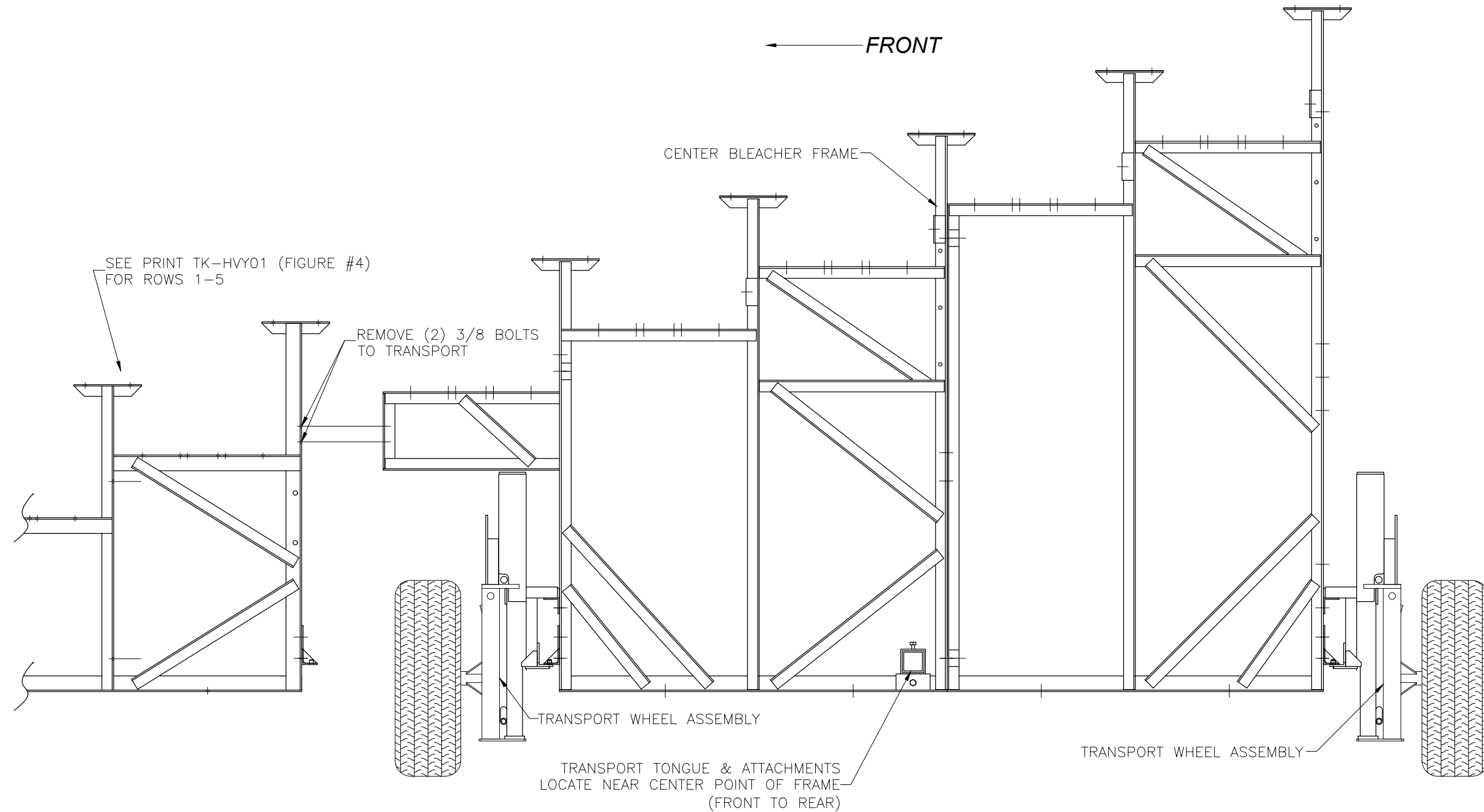
This drawing and all information contained herein is the property of NATIONAL RECREATION SYSTEMS, INC. and is not to be reproduced without express written permission of this manufacturer. We assume no responsibility for unauthorized use of this drawing. National Recreation Systems, Inc. is not responsible for local permits and occupancy requirements.

National Recreation Systems, Inc.

5120 INVESTMENT DRIVE - FORT WAYNE, IN 46808

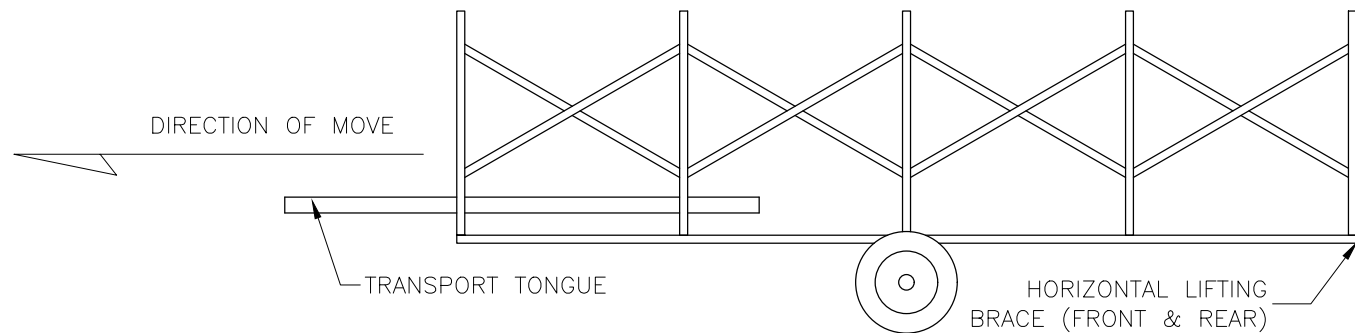
SCALE: N.T.S.	APPROVED BY:	DRAWN BY: NN
DATE: 11/24/15		
TITLE: TRANSPORT KIT ASSEMBLY (ROWS 1-5)		
BLEACHER MODEL #: NB-1015GTPPRF/CL	DRAWING NUMBER: TK.1	

ROWS 6-10

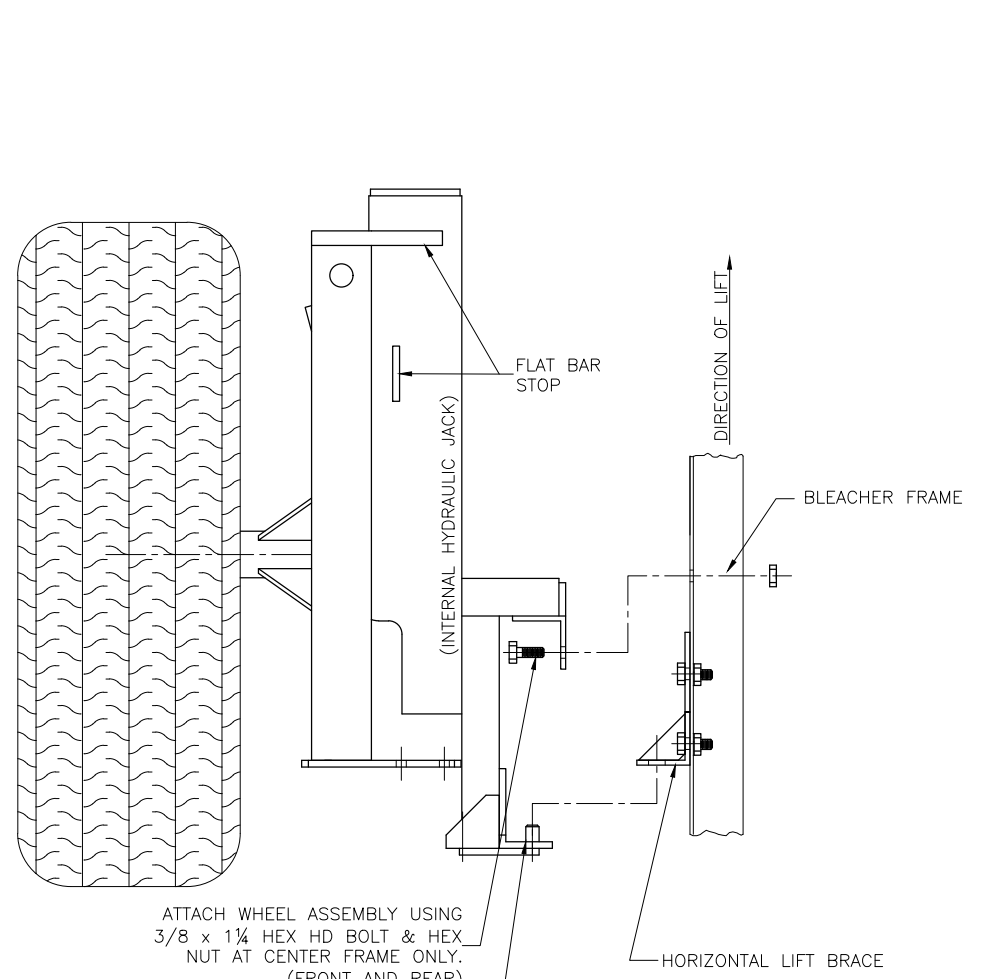
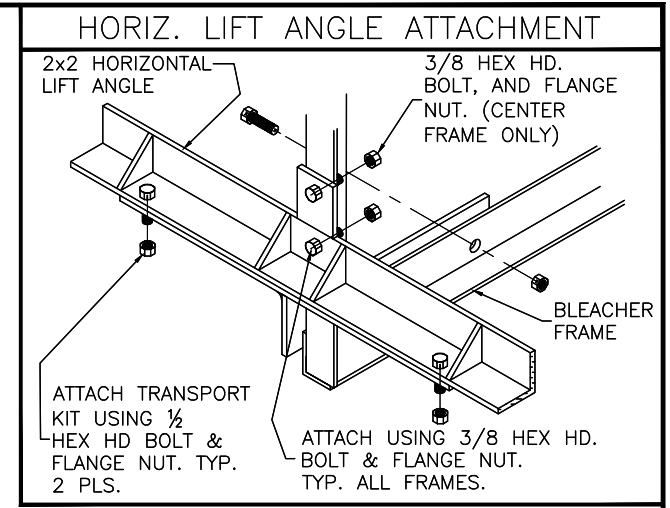


<p>This drawing and all information contained herein is the property of NATIONAL RECREATION SYSTEMS, INC. and is not to be reproduced without express written permission of this manufacturer. We assume no responsibility for unauthorized use of this drawing. National Recreation Systems, Inc. is not responsible for local permits and occupancy requirements.</p>			<p>National Recreation Systems, Inc. 5120 INVESTMENT DRIVE - FORT WAYNE, IN 46808</p>	
			SCALE: N.T.S.	APPROVED BY:
DATE: 11/24/15		TITLE: TRANSPORT KIT ASSEMBLY (ROWS 6-10)		
BLEACHER MODEL #: NB-1015GTPPRF/CL			DRAWING NUMBER: TK.2	

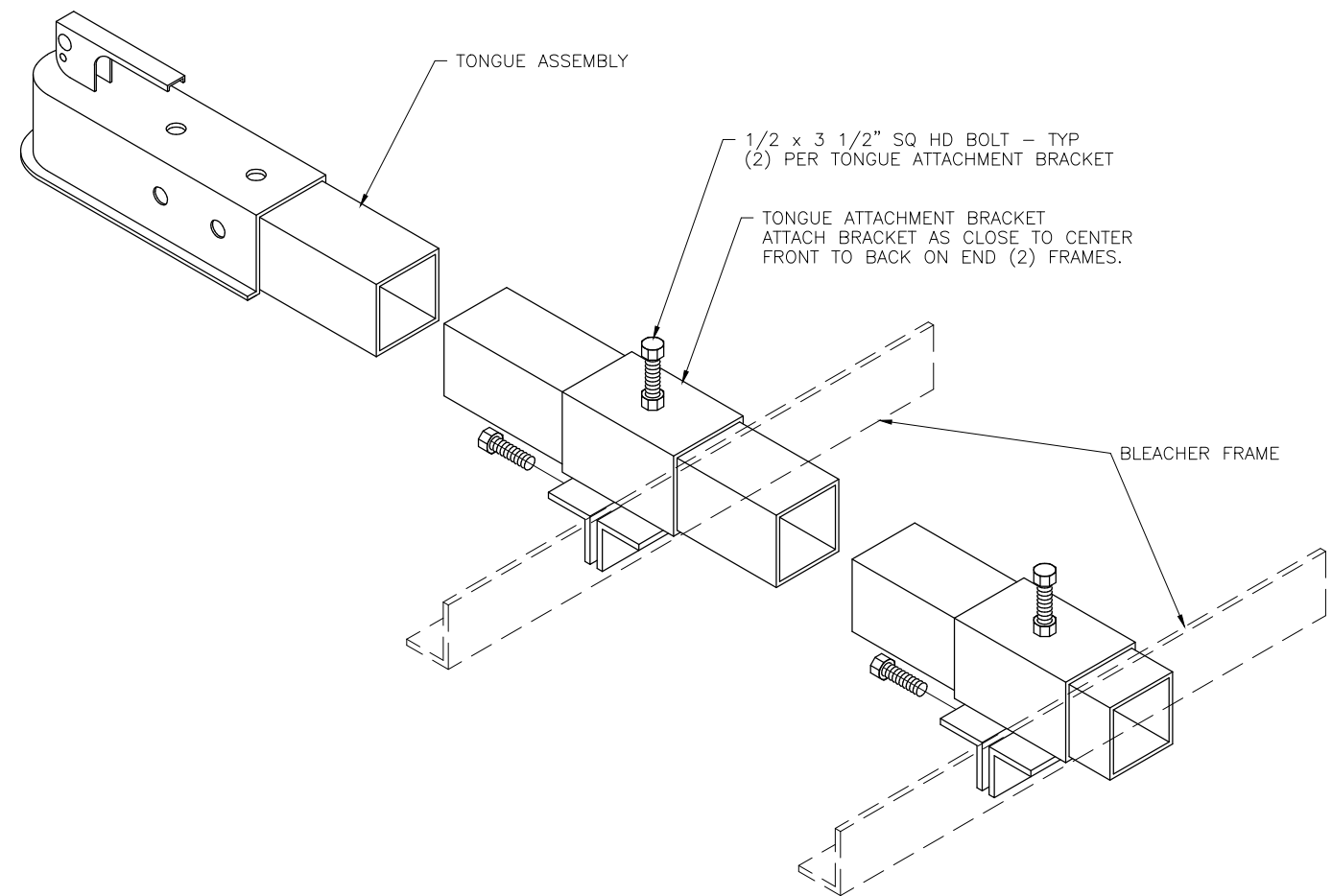
WHEEL LOCATION



(FIGURE #2)



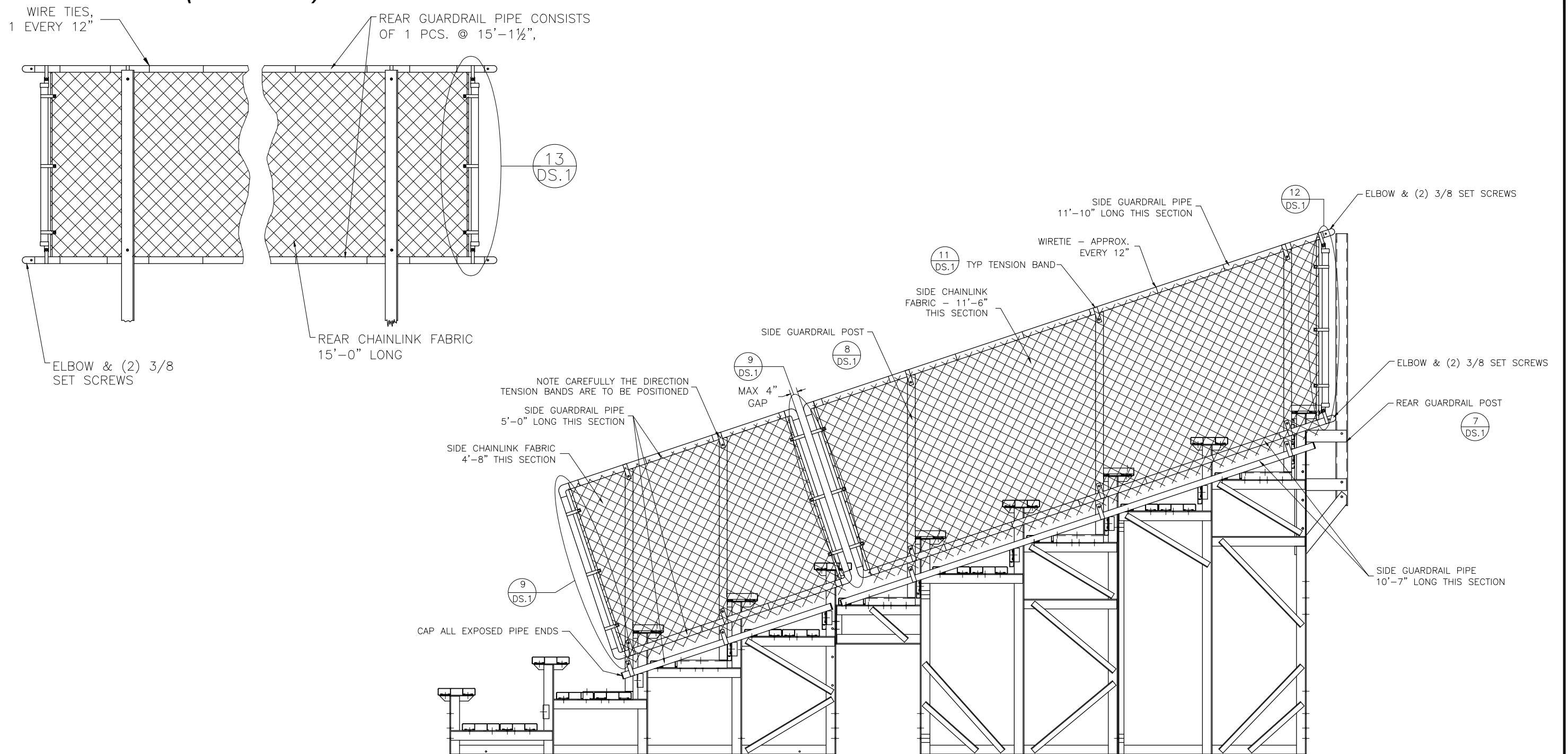
(FIGURE #3)



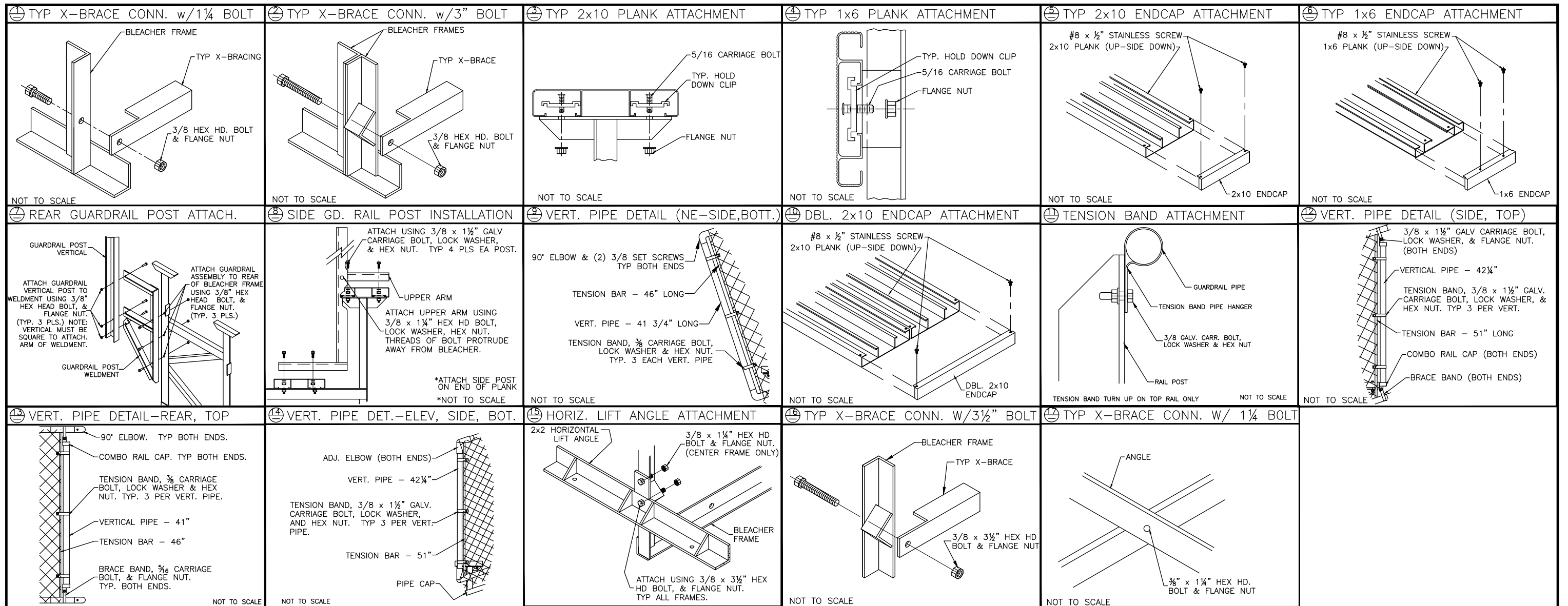
<p>This drawing and all information contained herein is the property of NATIONAL RECREATION SYSTEMS, INC. and is not to be reproduced without express written permission of this manufacturer. We assume no responsibility for unauthorized use of this drawing. National Recreation Systems, Inc. is not responsible for local permits and occupancy requirements.</p>		
<p>National Recreation Systems, Inc. 5120 INVESTMENT DRIVE - FORT WAYNE, IN 46808</p>		
SCALE: N.T.S.	APPROVED BY:	DRAWN BY: NN
DATE: 11/24/15		
TITLE: TRANSPORT KIT ASSEMBLY		
BLEACHER MODEL #: NB-1015GTPPRF/CL	DRAWING NUMBER: TK.3	

REAR GUARDRAIL

(REAR VIEW)



<p>This drawing and all information contained herein is the property of NATIONAL RECREATION SYSTEMS, INC. and is not to be reproduced without express written permission of this manufacturer. We assume no responsibility for unauthorized use of this drawing. National Recreation Systems, Inc. is not responsible for local permits and occupancy requirements.</p>			
<p>National Recreation Systems, Inc. 5120 INVESTMENT DRIVE - FORT WAYNE, IN 46808</p>			
SCALE: N.T.S.	APPROVED BY:	DRAWN BY: NN	
DATE: 11/24/15			
TITLE: NON ELEVATED 10 ROW x 15'-0" GUARD RAIL ASSEMBLY			
BLEACHER MODEL #: NB-1015GTPRF/CL	DRAWING NUMBER:		GR.1



<p>This drawing and all information contained herein is the property of NATIONAL RECREATION SYSTEMS, INC. and is not to be reproduced without express written permission of this manufacturer. We assume no responsibility for unauthorized use of this drawing. National Recreation Systems, Inc. is not responsible for local permits and occupancy requirements.</p>		<p>National Recreation Systems, Inc. 5120 INVESTMENT DRIVE - FORT WAYNE, IN 46808</p>	
<p>SCALE: N.T.S.</p>	<p>APPROVED BY:</p>	<p>DRAWN BY: NN</p>	
<p>DATE: 11/24/15</p>	<p>TITLE: DETAIL SHEETS</p>		
<p>BLEACHER MODEL #: NB-1015GTPRF/CL</p>	<p>DRAWING NUMBER: DS.1</p>		