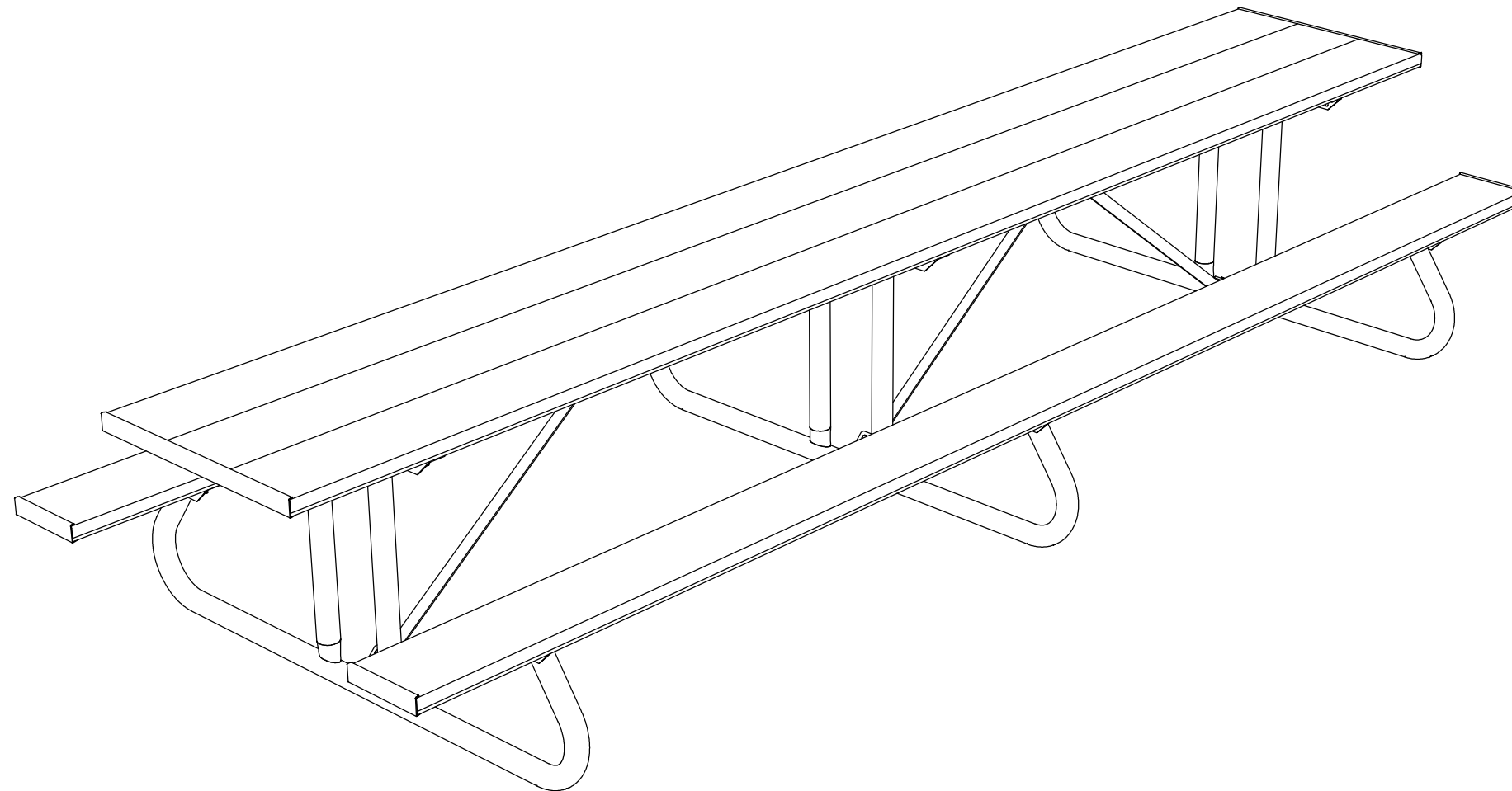


PT-HG15

NEW 15'-0" GALVANIZED PICNIC TABLE



A PLAYCORE Company
1300-D AIRPORT NORTH OFFICE PARK FORT WAYNE, IN 46825
PH: 888-568-9064 FAX: 260-482-7449 WWW.BLEACHERS.NET

This drawing and all information contained herein is the property of NATIONAL RECREATION SYSTEMS, INC. and is not to be reproduced without the express written permission of this manufacturer. We assume no responsibility for unauthorized use of this drawing. NATIONAL RECREATION SYSTEMS, INC. is not responsible for local permits and occupancy requirements.

PROJECT/SITE: PT-HG15

DESCRIPTION: 15'-0" HEAVY DUTY GALVANIZED PICNIC TABLE ASSEMBLY

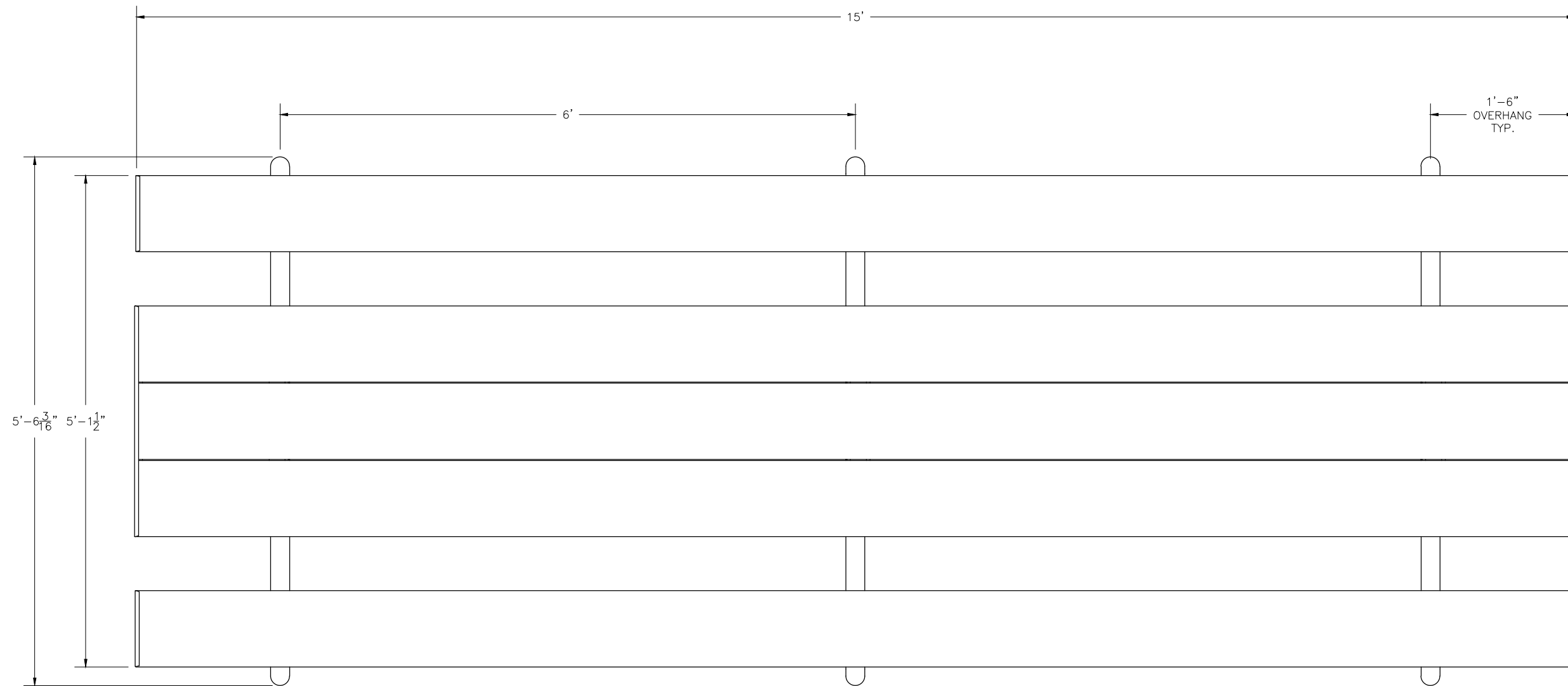
DRAWN BY: NLN

DATE: 3/20/18

REVISION: (0)

SCALE: N.T.S.

SHEET NUMBER: CS.1



A PLAYCORE Company

1300-D AIRPORT NORTH OFFICE PARK FORT WAYNE, IN 46825
PH: 888-568-9064 FAX: 260-482-7449 WWW.BLEACHERS.NET

This drawing and all information contained herein is the property of NATIONAL RECREATION SYSTEMS, INC. and is not to be reproduced without the express written permission of this manufacturer. We assume no responsibility for unauthorized use of this drawing. NATIONAL RECREATION SYSTEMS, INC. is not responsible for local permits and occupancy requirements.

PROJECT/SITE: PT-HG15

DESCRIPTION: 15'-0" PICNIC TABLE - TOP DOWN

DRAWN BY: NLN

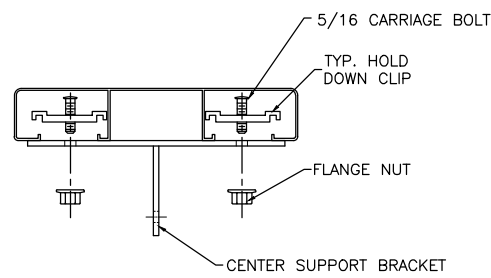
DATE: 3/20/18

REVISION: (0)

SCALE: N.T.S.

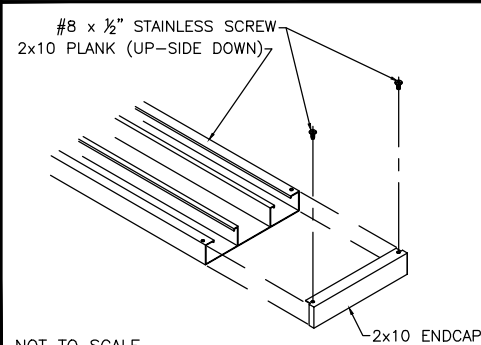
SHEET NUMBER: TD.1

⊖ CENTER SUPPORT ATTACHMENT



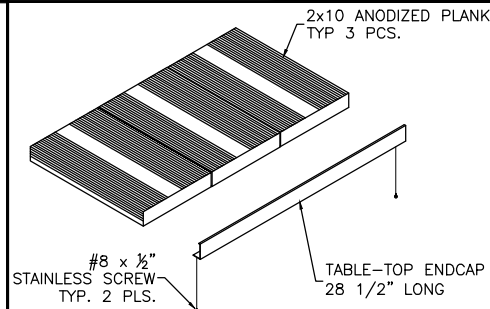
NOT TO SCALE

⊖ TYP 2x10 ENDCAP ATTACHMENT

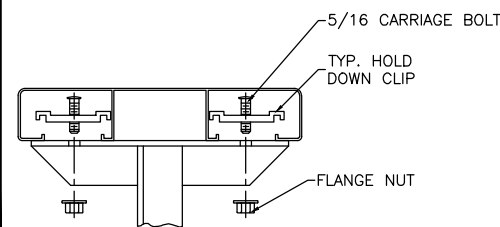


NOT TO SCALE

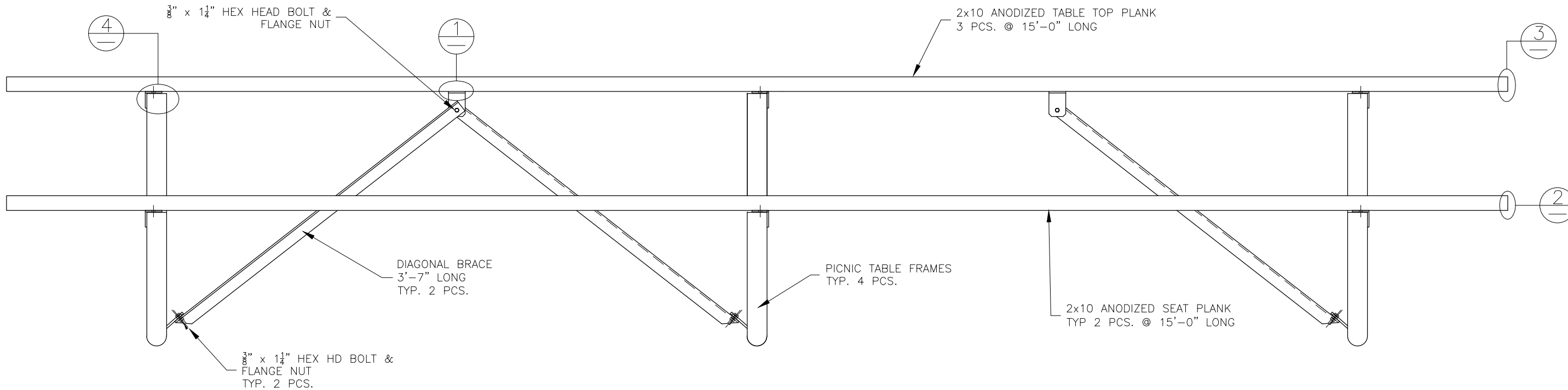
⊖ TABLE-TOP ENDCAP ATTACH.DETAIL



⊖ TYP 2x10 PLANK ATTACHMENT



NOT TO SCALE



1300-D AIRPORT NORTH OFFICE PARK FORT WAYNE, IN 46825
PH: 888-568-9064 FAX: 260-482-7449 WWW.BLEACHERS.NET

This drawing and all information contained herein is the property of NATIONAL RECREATION SYSTEMS, INC. and is not to be reproduced without the express written permission of this manufacturer. We assume no responsibility for unauthorized use of this drawing. NATIONAL RECREATION SYSTEMS, INC. is not responsible for local permits and occupancy requirements.

PROJECT/SITE: PT-HG15

DESCRIPTION: PICNIC TABLE ASSEMBLY

DRAWN BY: NLN

DATE: 3/20/18

REVISION: (0)

SCALE: N.T.S.

SHEET NUMBER: PA.1