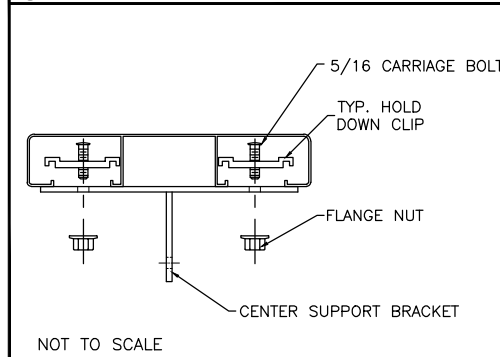
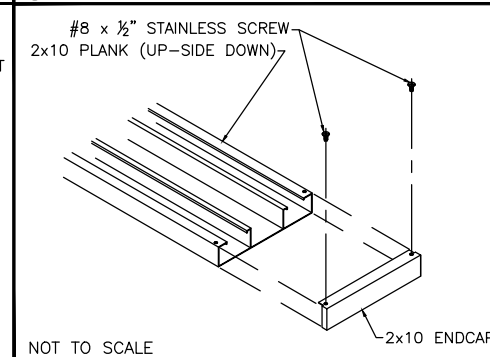


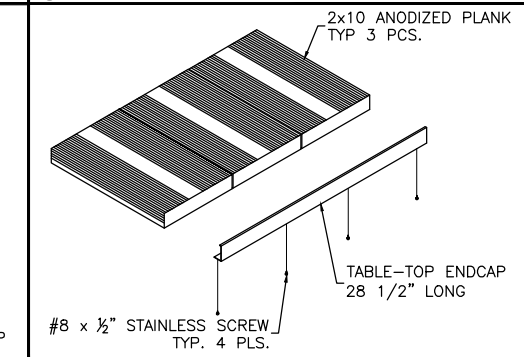
⊖ CENTER SUPPORT ATTACHMENT



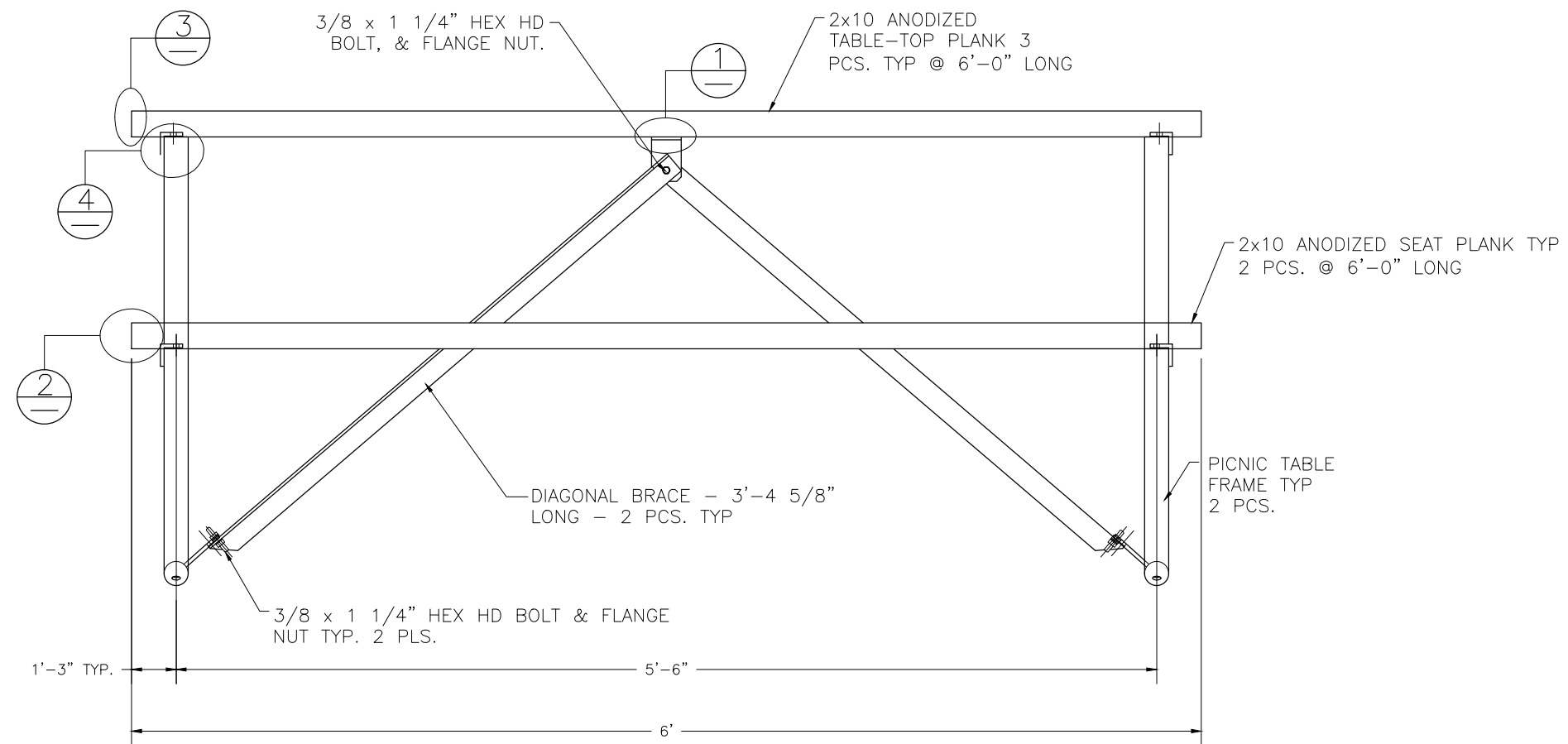
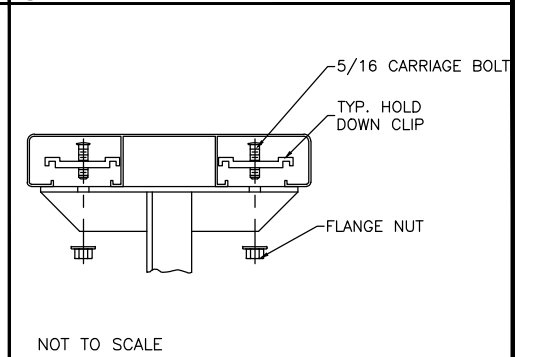
⊖ TYP 2x10 ENDCAP ATTACHMENT



⊖ TABLE-TOP ENDCAP ATTACH.DETAIL



⊖ TYP 2x10 PLANK ATTACHMENT



This drawing and all information contained herein is the property of NATIONAL RECREATION SYSTEMS, INC. and is not to be reproduced without express written permission of this manufacturer. We assume no responsibility for unauthorized use of this drawing. National Recreation Systems, Inc. is not responsible for local permits and occupancy requirements.

National Recreation Systems, Inc.
1300-D AIRPORT NORTH OFFICE PARK FORT WAYNE, IN 46825

SCALE: N.T.S.	APPROVED BY:	DRAWN BY: JML
DATE: 08/31/2016		
TITLE: 6'-0" PICNIC TABLE ASSEMBLY		
CUSTOMER:	DRAWING NUMBER: PT-SG06	