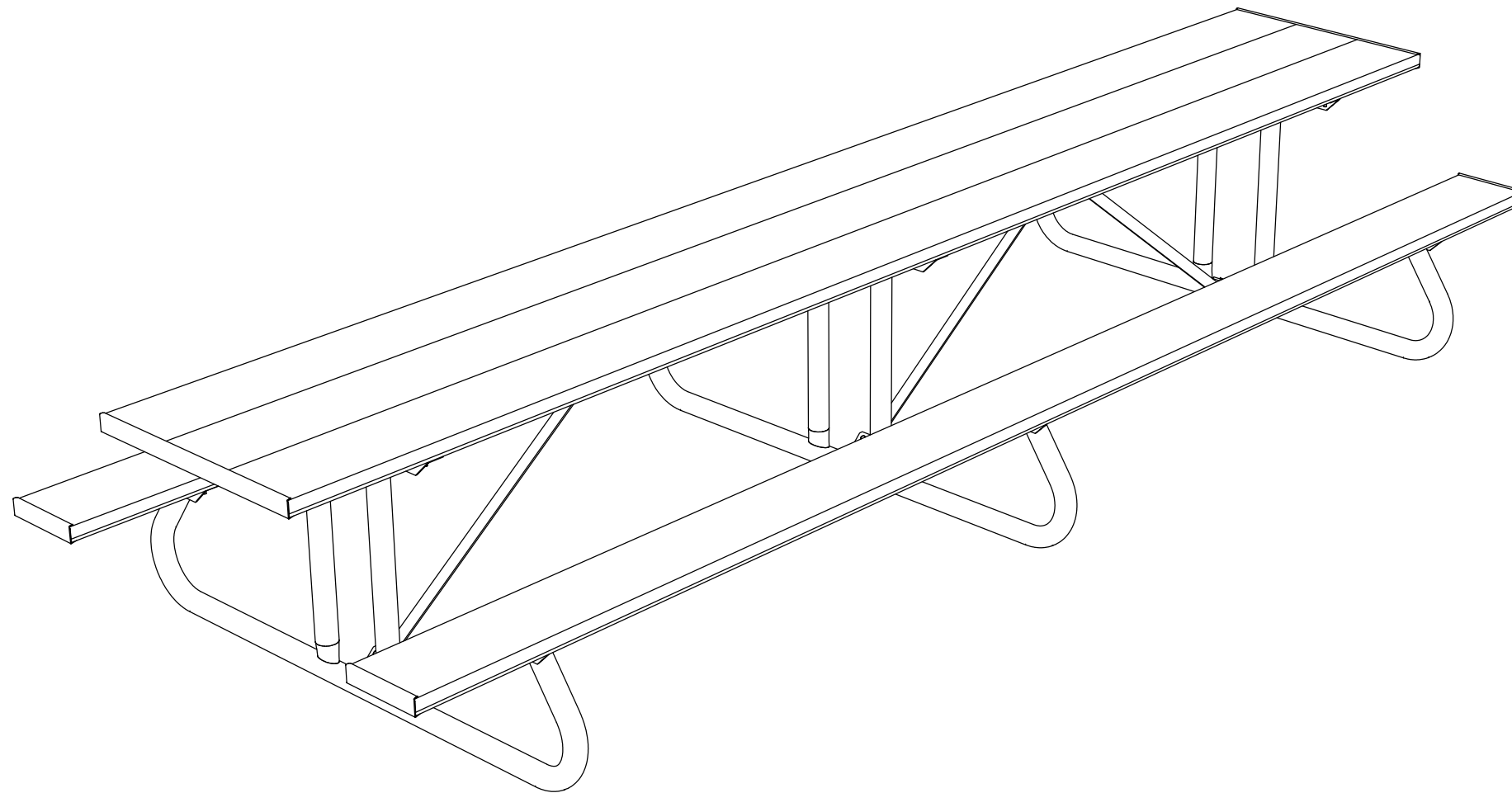


# **PT-SG12**

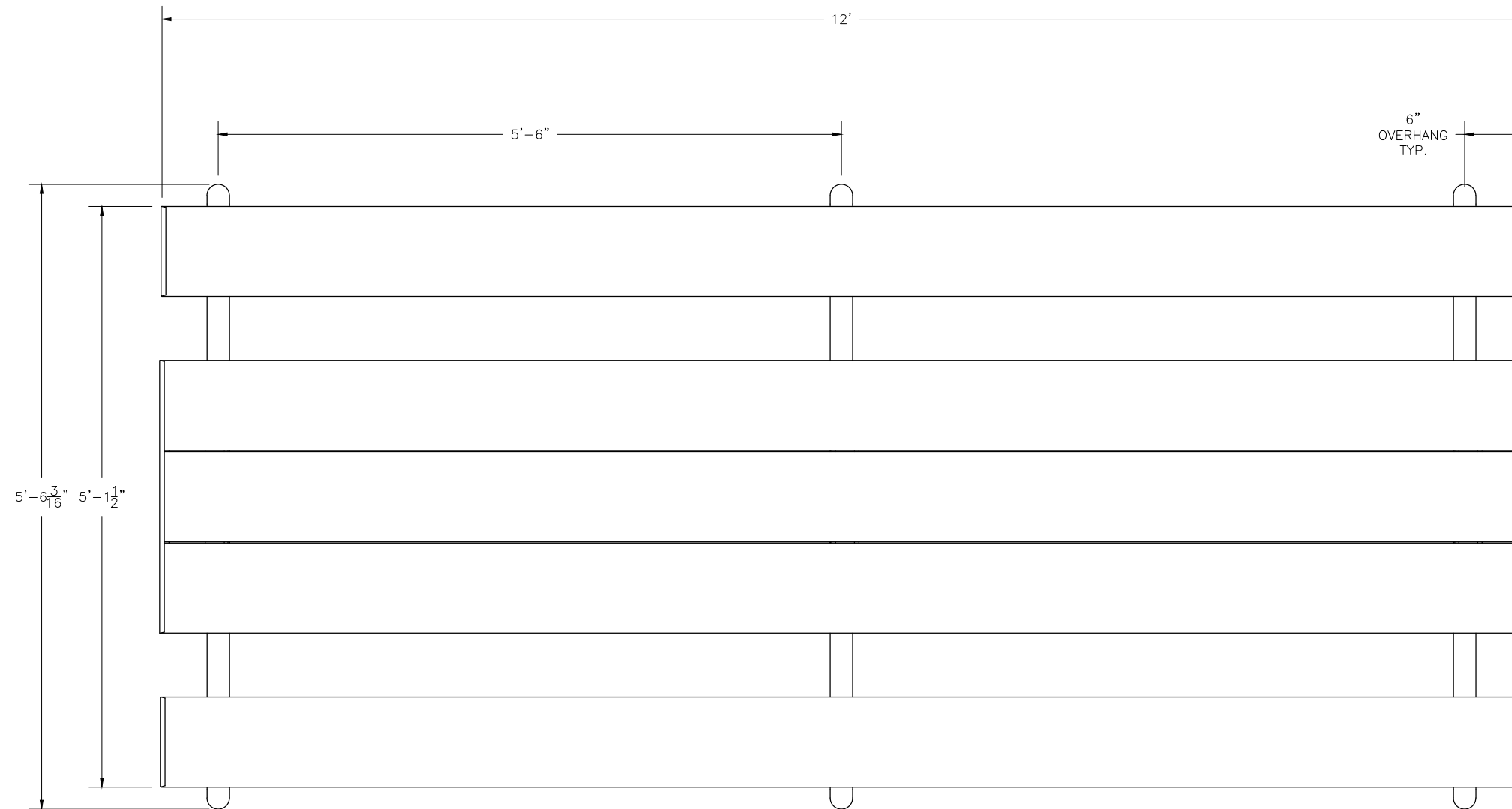
## **NEW 12'-0" GALVANIZED PICNIC TABLE**



  
**National Recreation Systems**  
A PLAYCORE Company  
 1300-D AIRPORT NORTH OFFICE PARK FORT WAYNE, IN 46825  
 PH: 888-568-9064 FAX: 260-482-7449 WWW.BLEACHERS.NET

This drawing and all information contained herein is the property of NATIONAL RECREATION SYSTEMS, INC. and is not to be reproduced without the express written permission of this manufacturer. We assume no responsibility for unauthorized use of this drawing. NATIONAL RECREATION SYSTEMS, INC. is not responsible for local permits and occupancy requirements.

|  |               |               |               |                    |
|--|---------------|---------------|---------------|--------------------|
| PROJECT/SITE: PT-SG12  |               |               |               |                    |
| DESCRIPTION: 12'-0" STANDARD DUTY GALVANIZED PICNIC TABLE ASSEMBLY |               |               |               |                    |
| DRAWN BY: NLN  | DATE: 1/14/21 | REVISION: (0) | SCALE: N.T.S. | SHEET NUMBER: CS.1 |



1300-D AIRPORT NORTH OFFICE PARK FORT WAYNE, IN 46825  
PH: 888-568-9064 FAX: 260-482-7449 WWW.BLEACHERS.NET

This drawing and all information contained herein is the property of NATIONAL RECREATION SYSTEMS, INC. and is not to be reproduced without the express written permission of this manufacturer. We assume no responsibility for unauthorized use of this drawing. NATIONAL RECREATION SYSTEMS, INC. is not responsible for local permits and occupancy requirements.

PROJECT/SITE: PT-SG12

DESCRIPTION: 12'-0" PICNIC TABLE - TOP DOWN

DRAWN BY: NLN

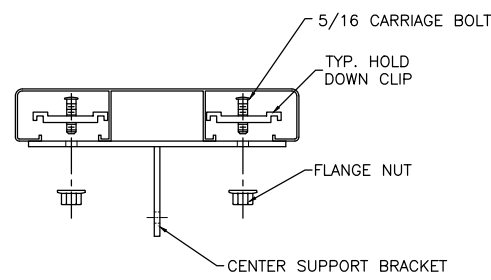
DATE: 1/14/21

REVISION: (0)

SCALE: N.T.S.

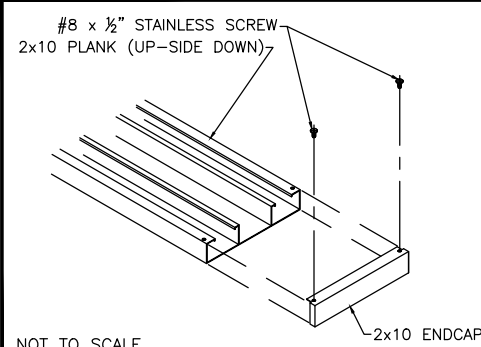
SHEET NUMBER: TD.1

1 CENTER SUPPORT ATTACHMENT



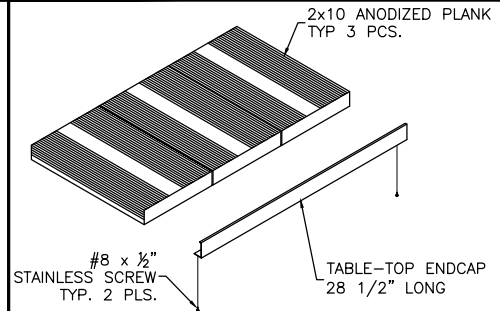
NOT TO SCALE

2 TYP 2x10 ENDCAP ATTACHMENT

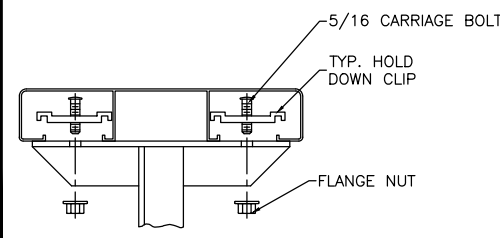


NOT TO SCALE

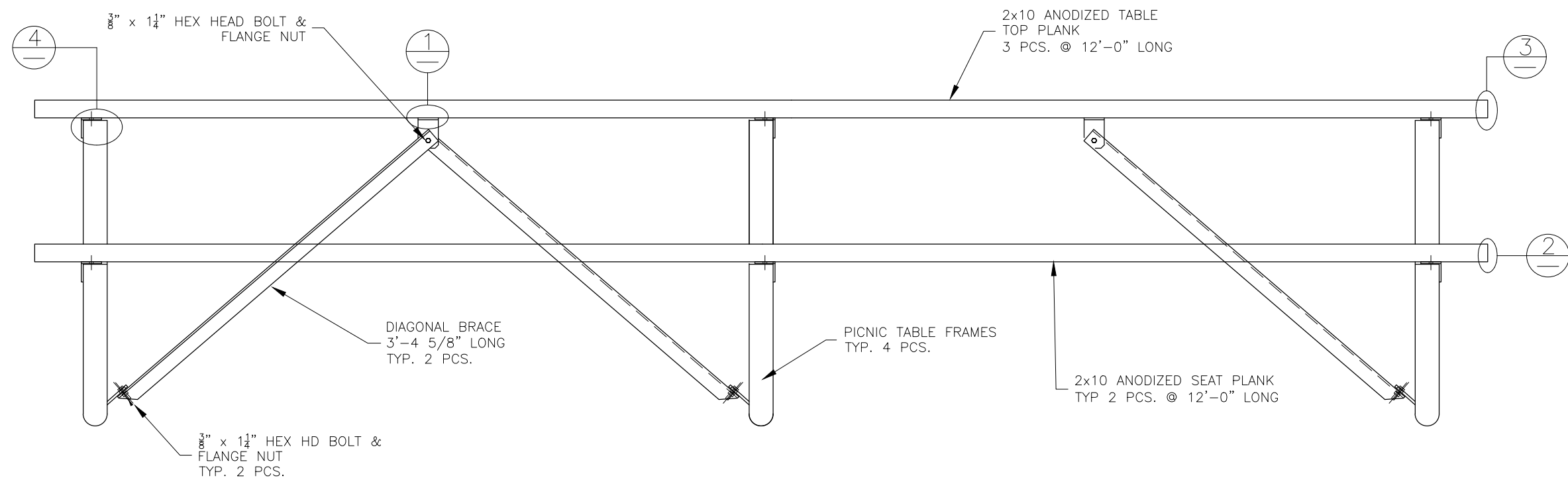
3 TABLE-TOP ENDCAP ATTACH.DETAIL



4 TYP 2x10 PLANK ATTACHMENT



NOT TO SCALE



**NRS**  
National Recreation Systems  
A PLAYCORE Company

1300-D AIRPORT NORTH OFFICE PARK FORT WAYNE, IN 46825  
PH: 888-568-9064 FAX: 260-482-7449 WWW.BLEACHERS.NET

This drawing and all information contained herein is the property of NATIONAL RECREATION SYSTEMS, INC. and is not to be reproduced without the express written permission of this manufacturer. We assume no responsibility for unauthorized use of this drawing. NATIONAL RECREATION SYSTEMS, INC. is not responsible for local permits and occupancy requirements.

|                                    |               |               |               |                    |
|------------------------------------|---------------|---------------|---------------|--------------------|
| PROJECT/SITE: PT-SG12              |               |               |               |                    |
| DESCRIPTION: PICNIC TABLE ASSEMBLY |               |               |               |                    |
| DRAWN BY: NLN                      | DATE: 1/14/21 | REVISION: (0) | SCALE: N.T.S. | SHEET NUMBER: PA.1 |