

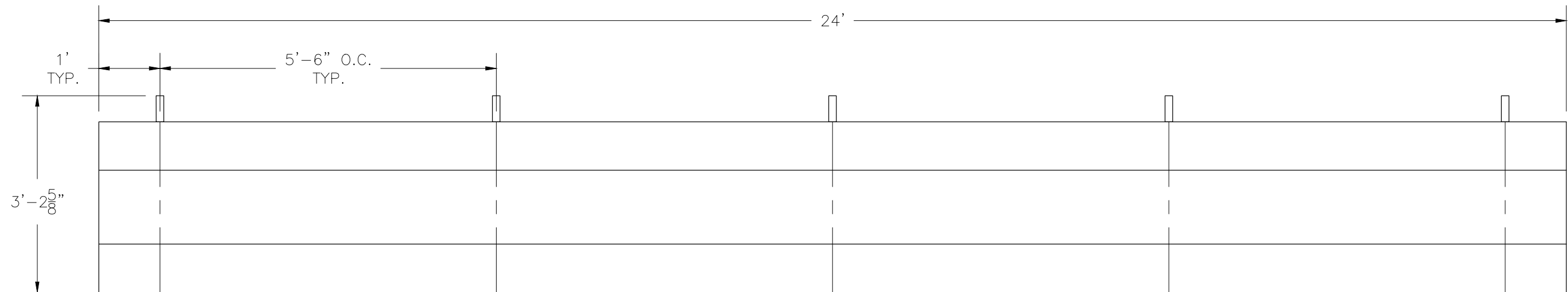
***TR-0224STD***

***TIP & ROLL ALUMINUM 2 ROW x 24'-0" BLEACHER***

**National Recreation Systems, Inc.**

1300-D AIRPORT NORTH OFFICE PARK FORT WAYNE, IN 46825

CS.1	- COVER SHEET
TD.1	- BLEACHER SEATING PLAN
BA.1	- BLEACHER ASSEMBLY
PF.1	- PLANK & FRAMING PLAN



SECTION LENGTH	GROSS SEATS	ACTUAL SEATS	NO. OF ROWS	NET SEATS
24	16.00	16.00	2	32
				<b>NET SEATS 32</b>
				<b>WHEELCHAIR SPACES 0</b>
				<b>TOTAL NET SEATING CAPACITY 32</b>
				<b>(BASED ON 18" PER SEAT)</b>

This drawing and all information contained herein is the property of NATIONAL RECREATION SYSTEMS, INC. and is not to be reproduced without express written permission of this manufacturer. We assume no responsibility for unauthorized use of this drawing. National Recreation Systems, Inc. is not responsible for local permits and occupancy requirements.

**National Recreation Systems, Inc.**  
 1300-D AIRPORT NORTH OFFICE PARK FORT WAYNE, IN 46825

SCALE: N.T.S.	APPROVED BY: IMP 8/29/16	DRAWN BY: JML
DATE: 4/5/16		
TITLE: 2 ROW x 24'-0" TIP & ROLL BLEACHER SEATING PLAN		
BLEACHER MODEL #: TR-0224STD	DRAWING NUMBER: TD.1	

⊖ TYP X-BRACE CONN. W/ 1/4" BOLT



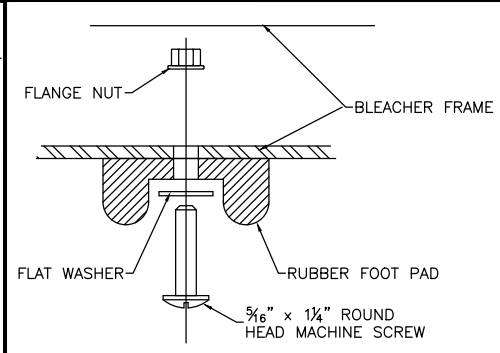
NOT TO SCALE

⊖ TYP 2x10 PLANK ATTACHMENT

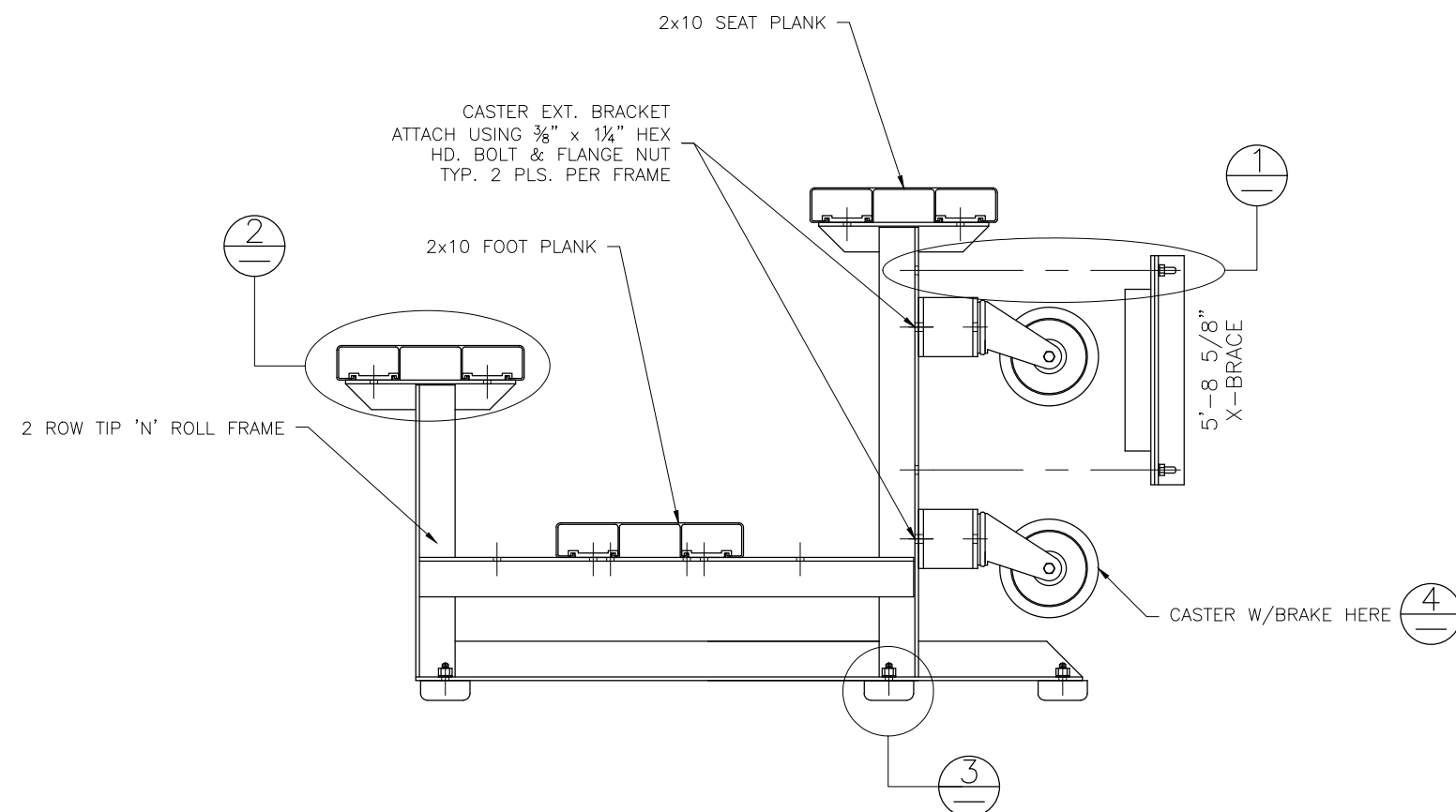
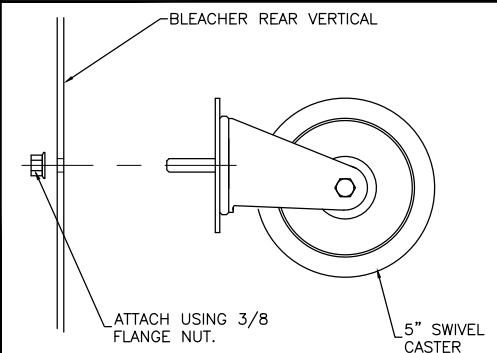


NOT TO SCALE

⊖ RUBBER FOOT PAD ATTACH. DETAIL



⊖ CASTER ATTACHMENT DETAIL



NOTE: MOUNT CASTERS TO CENTER AND END FRAMES ONLY.

# WARNING

TIP N' ROLL BLEACHERS ARE SUITABLE FOR INDOOR OR OUTDOOR USE. HOWEVER, THEY SHOULD ONLY BE TIPPED UP ON THE CASTERS INDOORS, DUE TO POTENTIAL WIND HAZARDS IF TIPPED UP OUTDOORS. THESE LIGHT-WEIGHT UNITS ARE EASILY TIPPED UP BY ANY ABLE-BODIED ADULT.

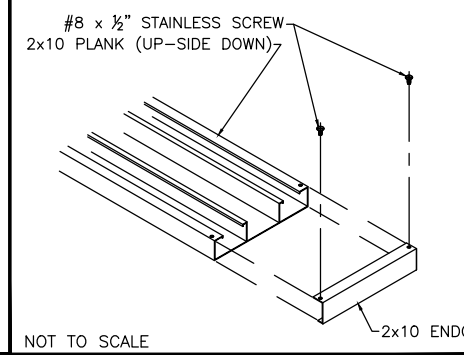
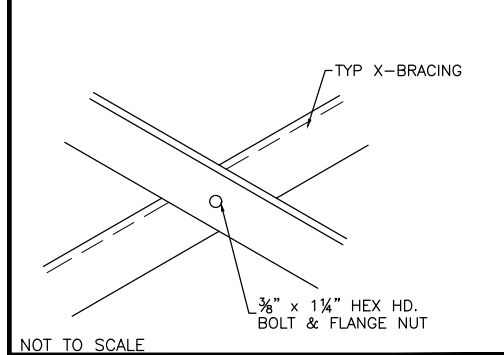
This drawing and all information contained herein is the property of NATIONAL RECREATION SYSTEMS, INC. and is not to be reproduced without express written permission of this manufacturer. We assume no responsibility for unauthorized use of this drawing. National Recreation Systems, Inc. is not responsible for local permits and occupancy requirements.

## National Recreation Systems, Inc.

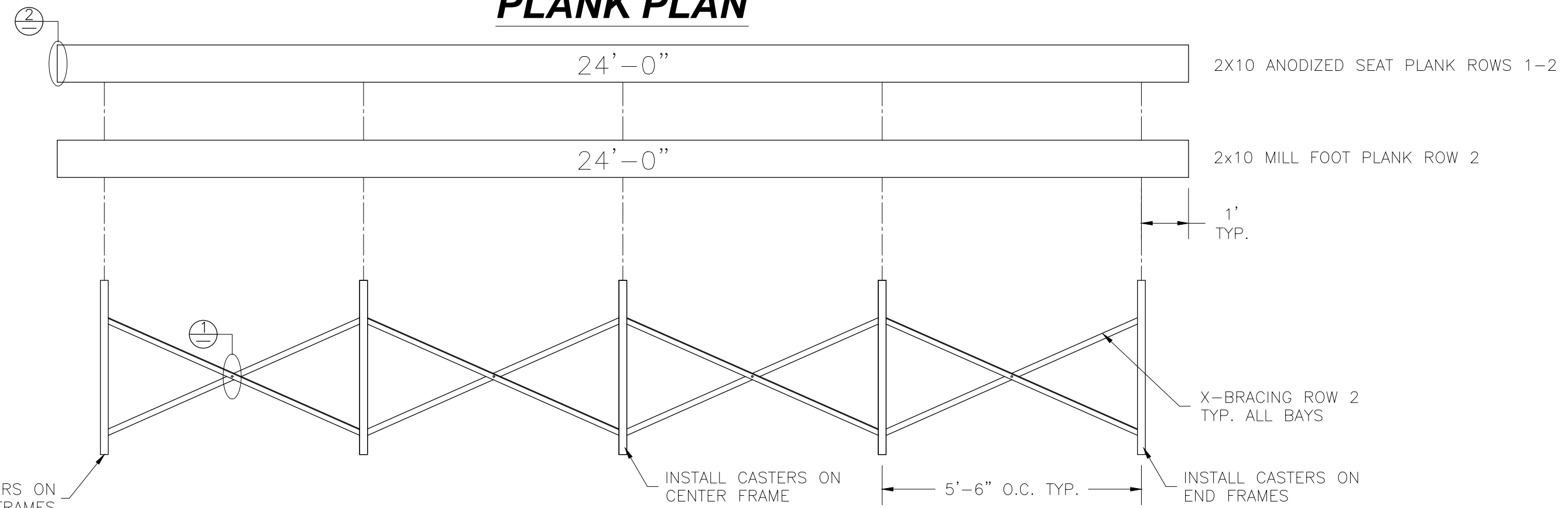
1300-D AIRPORT NORTH OFFICE PARK FORT WAYNE, IN 46825		
SCALE: N.T.S.	APPROVED BY: IMP 8/29/16	DRAWN BY: JML
DATE: 4/5/16		
TITLE: 2 ROW TIP & ROLL BLEACHER ASSEMBLY		
BLEACHER MODEL #: TR-0224STD	DRAWING NUMBER: BA.1	

⊕ TYP X-BRACE CONN. W/ 1 1/4" BOLT

⊖ TYP 2x10 ENDCAP ATTACHMENT



## PLANK PLAN



## FRAMING PLAN

INSTALL CASTERS ON END FRAMES

INSTALL CASTERS ON CENTER FRAME

5'-6" O.C. TYP.

INSTALL CASTERS ON END FRAMES

<p><b>National Recreation Systems, Inc.</b>                  1300-D AIRPORT NORTH OFFICE PARK FORT WAYNE, IN 46825</p>		
SCALE: N.T.S.	APPROVED BY: IMP 8/29/16	DRAWN BY: JML
DATE: 4/5/16		
TITLE: 2 ROW x 24'-0" TIP & ROLL PLANK & FRAMING PLAN		
BLEACHER MODEL #: TR-0224STD	DRAWING NUMBER: PF.1	

This drawing and all information contained herein is the property of NATIONAL RECREATION SYSTEMS, INC. and is not to be reproduced without express written permission of this manufacturer. We assume no responsibility for unauthorized use of this drawing. National Recreation Systems, Inc. is not responsible for local permits and occupancy requirements.