

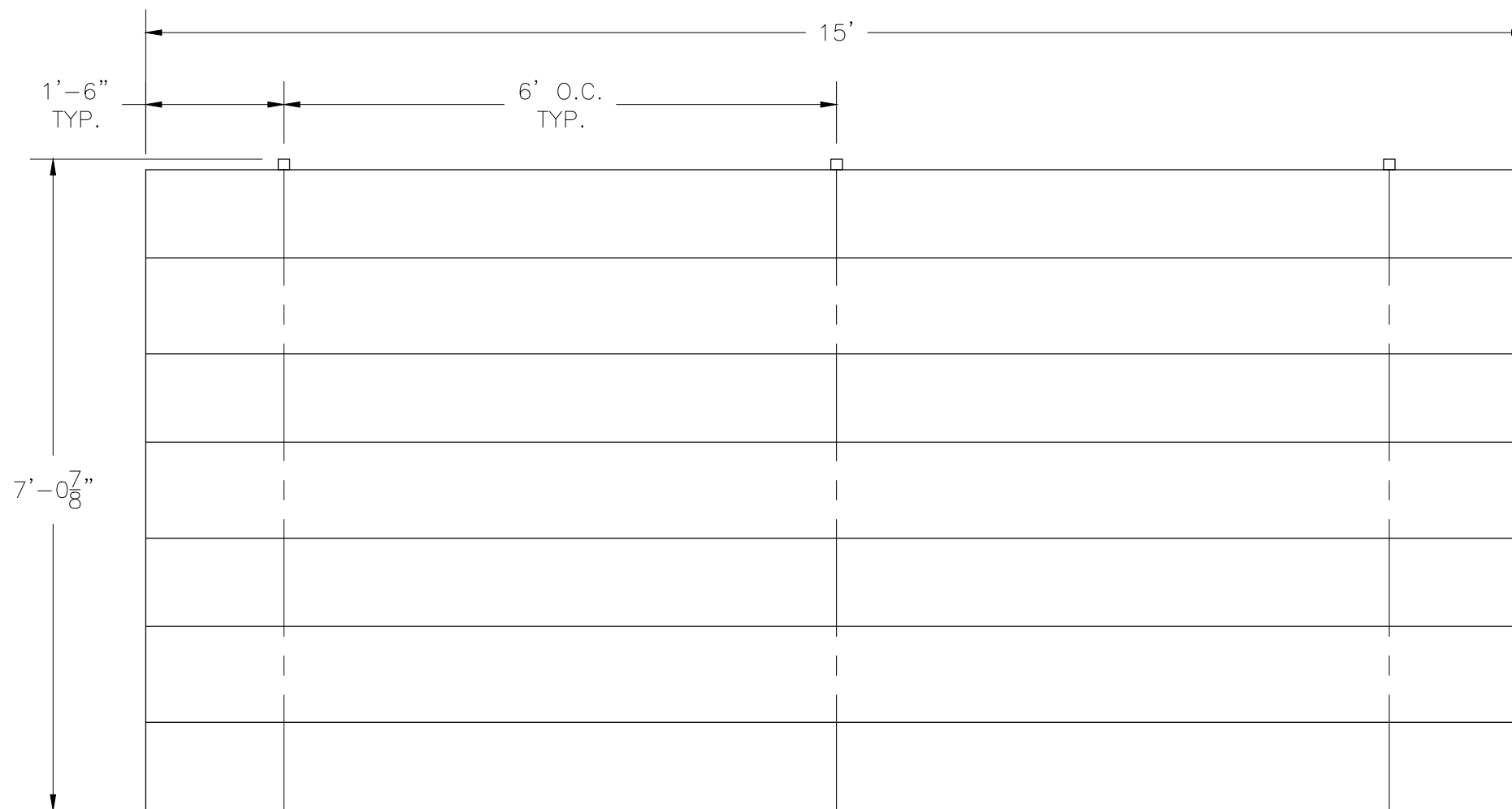
TR-0415ALRPRF

LOW-RISE TIP & ROLL ALUMINUM 4 ROW x 15'-0" BLEACHER

National Recreation Systems, Inc.

1300-D AIRPORT NORTH OFFICE PARK FORT WAYNE, IN 46825

CS.1	- COVER SHEET
TD.1	- BLEACHER SEATING PLAN
BA.1	- BLEACHER ASSEMBLY
PF.1	- PLANK & FRAMING PLAN

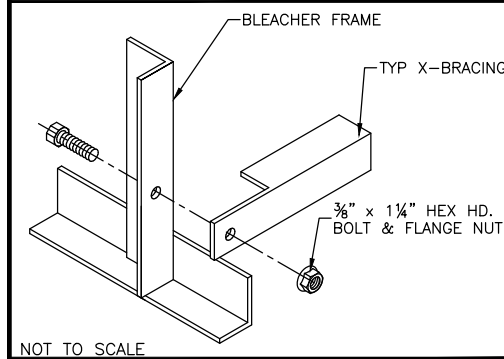


SECTION LENGTH	GROSS SEATS	ACTUAL SEATS	NO. OF ROWS	NET SEATS
15	10.00	10.00	4	40
				NET SEATS 40
				WHEELCHAIR SPACES 0
				TOTAL NET SEATING CAPACITY 40
				(BASED ON 18" PER SEAT)

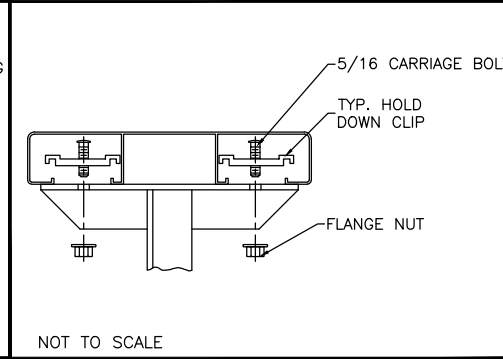
This drawing and all information contained herein is the property of NATIONAL RECREATION SYSTEMS, INC. and is not to be reproduced without express written permission of this manufacturer. We assume no responsibility for unauthorized use of this drawing. National Recreation Systems, Inc. is not responsible for local permits and occupancy requirements.

National Recreation Systems, Inc.		
1300-D AIRPORT NORTH OFFICE PARK FORT WAYNE, IN 46825		
SCALE: N.T.S.	APPROVED BY: IMP 8/29/16	DRAWN BY: JML
DATE: 2/18/16		
TITLE: 4 ROW x 15'-0" TIP & ROLL BLEACHER SEATING PLAN		
BLEACHER MODEL #: TR-0415ALRPRF		DRAWING NUMBER: TD.1

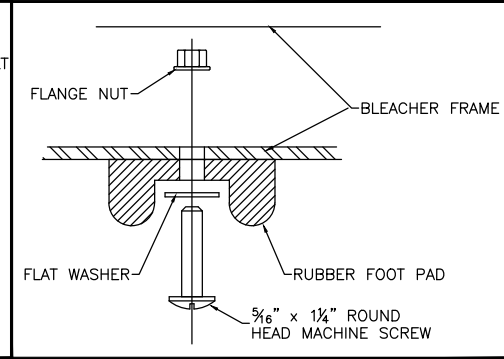
⊕ TYP X-BRACE CONN. W/ 1 1/4" BOLT



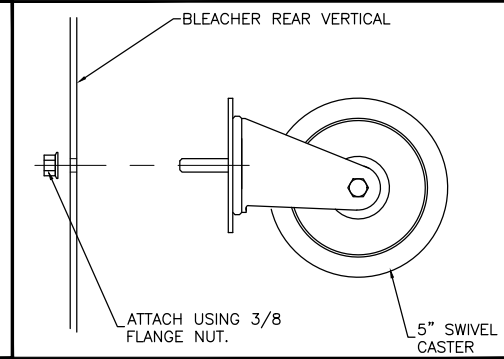
⊕ TYP 2x10 PLANK ATTACHMENT



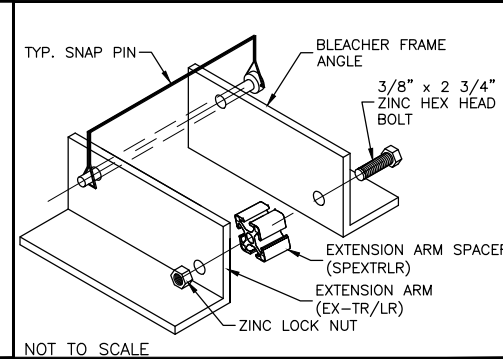
⊕ RUBBER FOOT PAD ATTACH. DETAIL



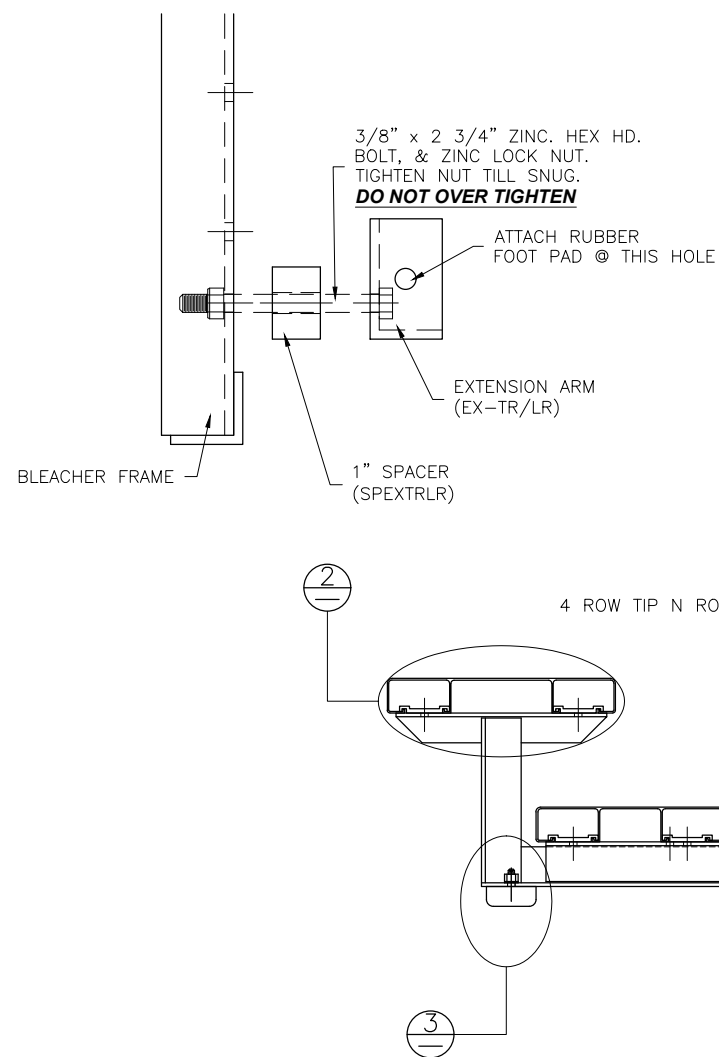
⊕ CASTER ATTACHMENT DETAIL



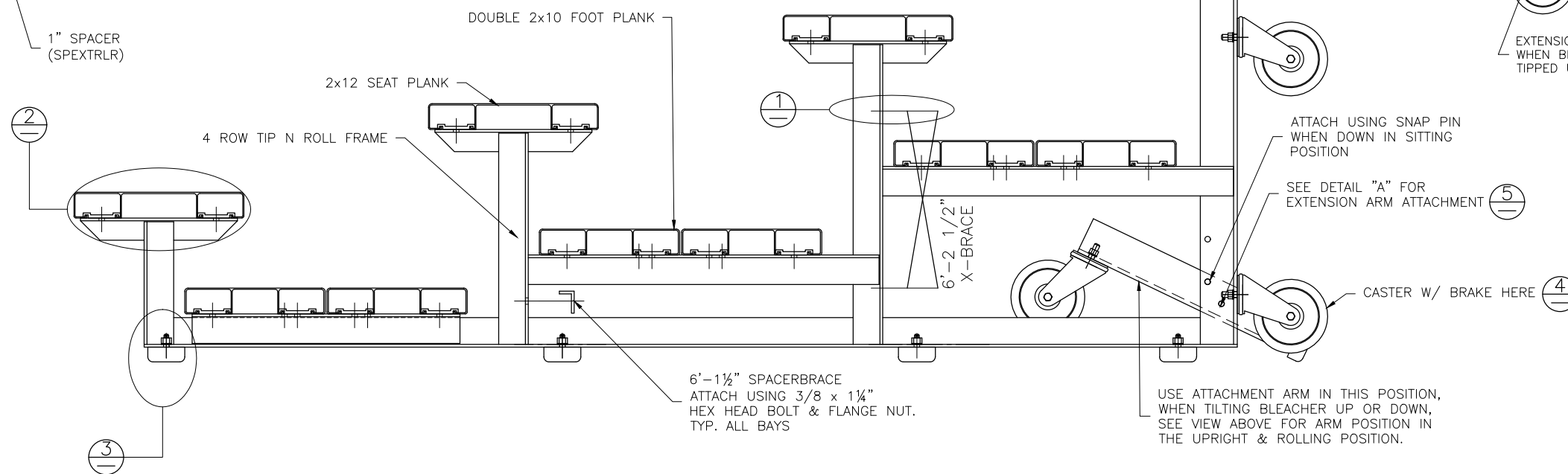
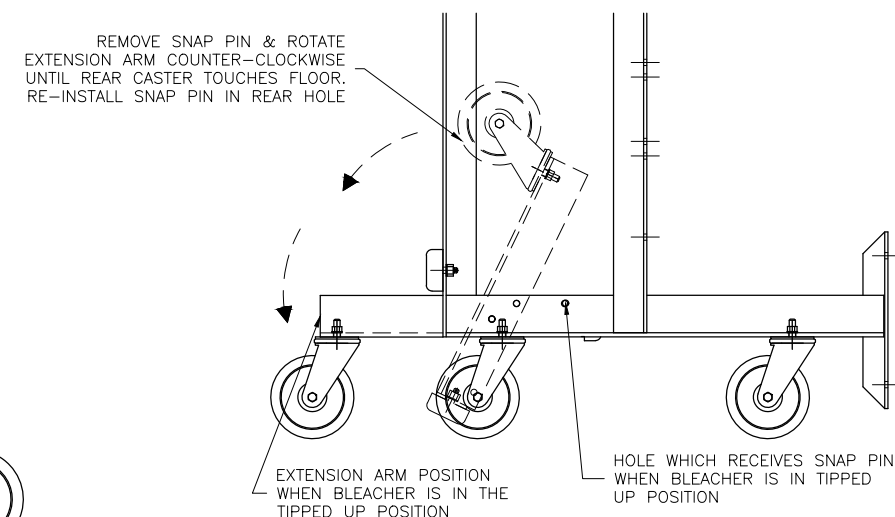
⊕ SNAP PIN CONNECTION



EXTENSION ARM ATTACHMENT DETAIL



EXTENSION ARM PLACEMENT DETAIL



NOTE: MOUNT CASTERS TO END FRAMES ONLY.

WARNING

TIP N' ROLL BLEACHERS ARE SUITABLE FOR INDOOR OR OUTDOOR USE. HOWEVER, THEY SHOULD ONLY BE TIPPED UP ON THE CASTERS INDOORS, DUE TO POTENTIAL WIND HAZARDS IF TIPPED UP OUTDOORS. THESE LIGHT-WEIGHT UNITS ARE EASILY TIPPED UP BY ANY ABLE-BODIED ADULT.

This drawing and all information contained herein is the property of NATIONAL RECREATION SYSTEMS, INC. and is not to be reproduced without express written permission of this manufacturer. We assume no responsibility for unauthorized use of this drawing. National Recreation Systems, Inc. is not responsible for local permits and occupancy requirements.

National Recreation Systems, Inc.

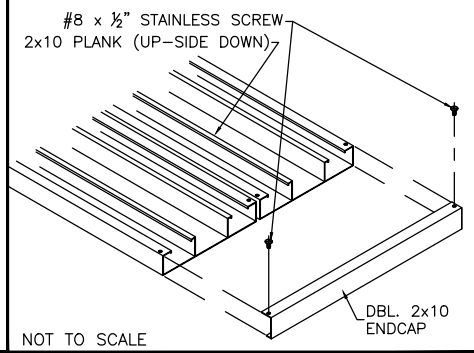
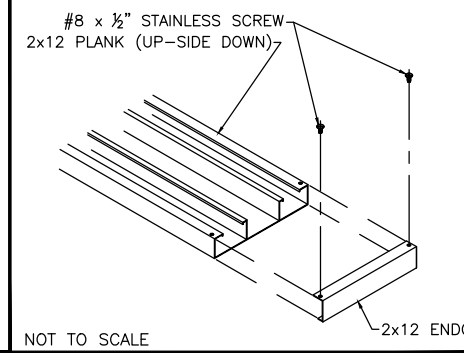
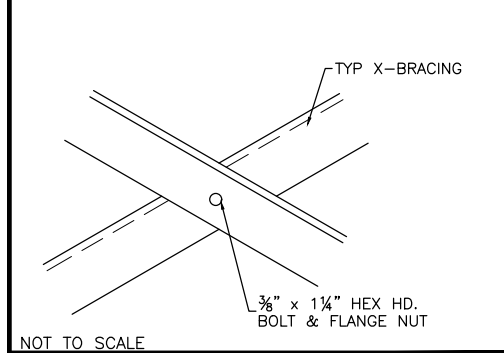
1300-D AIRPORT NORTH OFFICE PARK FORT WAYNE, IN 46825

SCALE: N.T.S.	APPROVED BY: IMP 8/29/16	DRAWN BY: JML
DATE: 2/18/16		
TITLE: 4 ROW TIP & ROLL BLEACHER ASSEMBLY		
BLEACHER MODEL #: TR-0415ALRPRF	DRAWING NUMBER: BA.1	

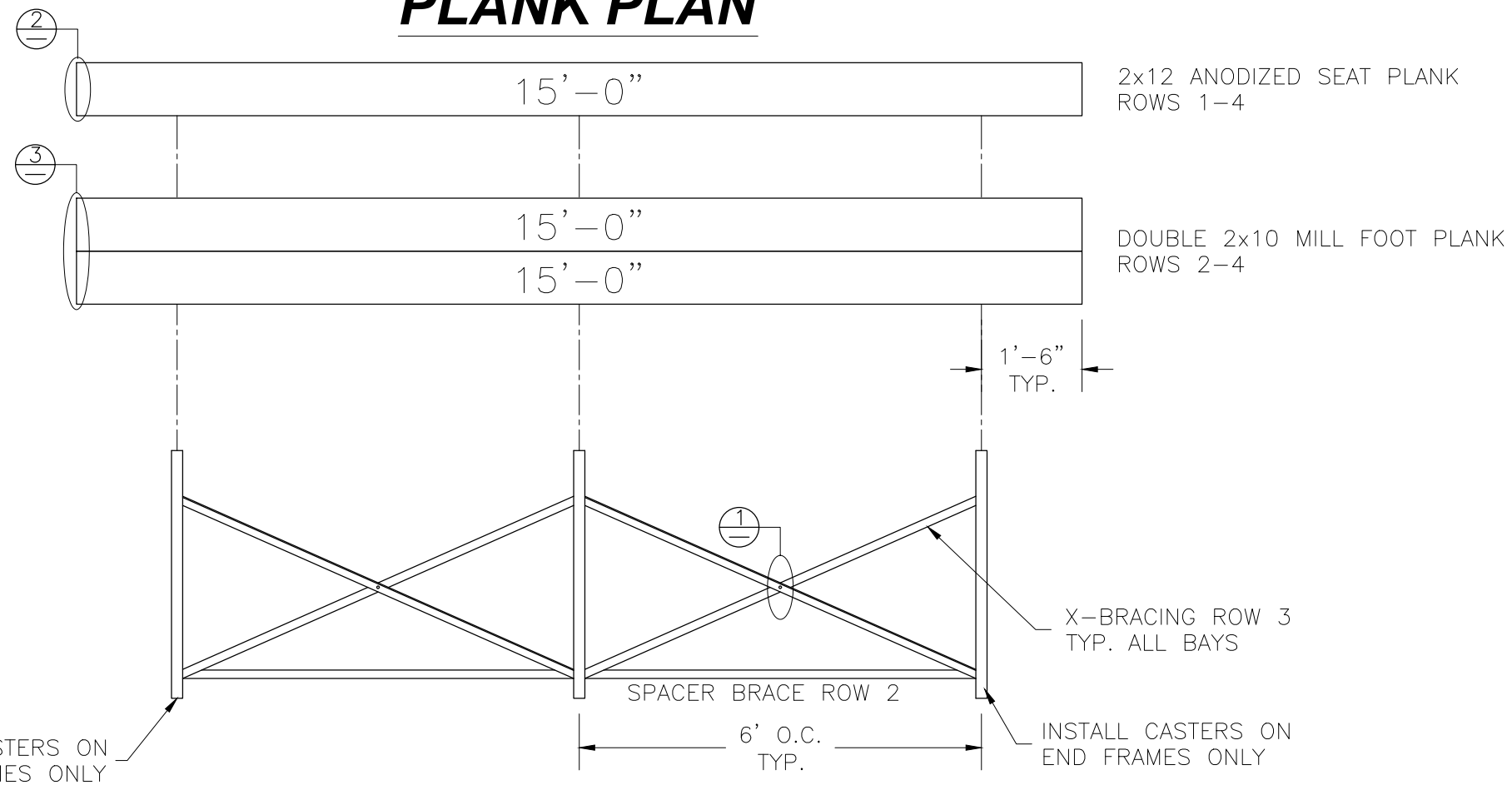
⊕ TYP X-BRACE CONN. W/ 1 1/4" BOLT

⊕ TYP 2x12 ENDCAP ATTACHMENT

⊕ DBL. 2x10 ENDCAP ATTACHMENT



PLANK PLAN



FRAMING PLAN

This drawing and all information contained herein is the property of NATIONAL RECREATION SYSTEMS, INC. and is not to be reproduced without express written permission of this manufacturer. We assume no responsibility for unauthorized use of this drawing. National Recreation Systems, Inc. is not responsible for local permits and occupancy requirements.

National Recreation Systems, Inc.

1300-D AIRPORT NORTH OFFICE PARK FORT WAYNE, IN 46825

SCALE: N.T.S.	APPROVED BY: IMP 8/29/16	DRAWN BY: JML
DATE: 2/18/16		
TITLE: 4 ROW x 15'-0" TIP & ROLL PLANK & FRAMING PLAN		
BLEACHER MODEL #: TR-0415ALRPRF	DRAWING NUMBER: PF.1	