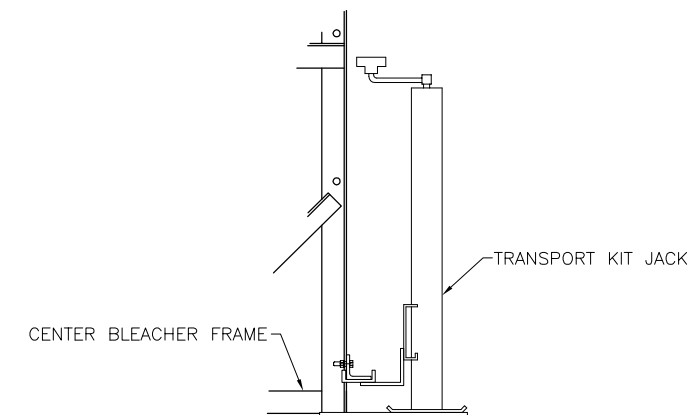


JACK ATTACHMENT



PLACE JACK ON UNDER SIDE OF HORIZONTAL BRACE APPROX. 14"-18" AWAY FROM CENTER FRAME, AS SHOWN. BLEACHER SHOULD ALWAYS BE ON SOLID, LEVEL GROUND, AND BE STABILIZED TO PREVENT MOVEMENT WHEN USING JACK.

NOTE: ILLUSTRATION SHOWN WITH SINGLE FOOT PLANK ROWS 2-3, & DOUBLE FOOT PLANK ON ROWS 4-5, RISER (ROWS 4 & 5), & CHAINLINK GUARDRAIL. PLEASE REFER TO ATTACHED SPECIFICATIONS FOR FEATURES INCLUDED WITH YOUR SPECIFIC BLEACHER.

This drawing and all information contained herein is the property of NATIONAL RECREATION SYSTEMS, INC. and is not to be reproduced without express written permission of this manufacturer. We assume no responsibility for unauthorized use of this drawing. National Recreation Systems, Inc. is not responsible for local permits and occupancy requirements.

National Recreation Systems, Inc.

P.O. BOX 11487 FORT WAYNE, IN 46858-1487

SCALE: N.T.S.	APPROVED BY:	DRAWN BY: JLB
DATE: 4/13/05		
TITLE: SUBMITTAL FOR 5 ROW NON-ELEV. TRANSPORTABLE BLEACHER		
CUSTOMER:	DRAWING NUMBER: SUB-TP05-0006	